



## WARRANTY CONDITION

EN

This product has a 2-year warranty as of the date of purchase\*, covering any fault resulting from a manufacturing or material defect. This warranty does not cover defects or damage resulting from incorrect installation, improper use or abnormal wear of the appliance.

\*upon presentation of the sales receipt.

## CONDITION DE GARANTIE

FR

Ce produit est garanti pour une période de 2 ans à partir de la date d'achat\*, contre toute défaillance résultant d'un vice de fabrication ou de matériau. Cette garantie ne couvre pas les vices ou les dommages résultant d'une mauvaise installation, d'une utilisation incorrecte ou de l'usure anormale du produit.

\*sur présentation du ticket de caisse.

## GARANTIEVOORWAARDEN

NL

Dit product wordt gegarandeerd voor een periode van 2 jaar vanaf de aankoopdatum\*, voor elke storing die het gevolg is van een fabricagefout of het materiaal. Gebreken of schade door slechte installatie, onjuist gebruik of abnormale slijtage van het product worden niet gedekt door deze garantie.

\*op vertoon van kassabon.

## CONDICIONES DE GARANTÍA

ES

El certificado de garantía de este producto tiene una duración de 3 años a partir de la fecha de compra\* que se limita a los defectos de fabricación y averías del material. Se excluyen de la garantía deficiencias o daños originados por una mala instalación, errores en la manipulación o por un uso inadecuado.

\*previa presentación del comprobante de compra.

MADE IN PRC

---

ELECTRO DEPOT

1 route de Vendeville

59155 FACHES-THUMESNIL

FRANCE



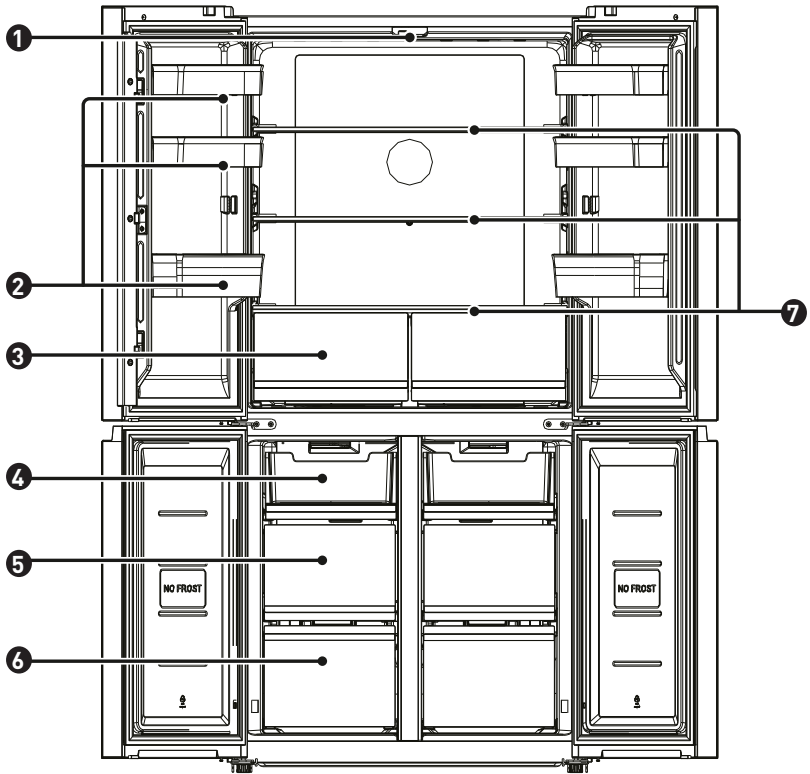
Refrigerator  
Réfrigérateur  
Koelkast  
Frigorífico

977493 - 4D 474 E X 625C

INSTRUCTIONS FOR USE	.....02
CONSIGNES D'UTILISATION	.....24
GEBRUIKSAANWIJZINGEN	.....50
INSTRUCCIONES DE USO	.....76

**VALBERG**













# Thanks!

Thank you for choosing this VALBERG product. Chosen, tested and recommended by ELECTRO DEPOT, the products of the VALBERG brand are easy to use, reliable and of an impeccable standard. Thanks to this appliance, you can be sure that each use will bring you satisfaction.

Welcome to ELECTRO DEPOT.

Visit our website: [www.electrodepot.fr](http://www.electrodepot.fr)



**A**

**Preview of the  
appliance**

Description of the appliance

---

**B**

**Using the appliance**

Using the refrigerator

---

**C**

**Useful information**

Cleaning and maintenance  
Troubleshooting

## Description of the appliance

① LED lighting

② Door tray

③ Big drawer

④ Up drawer

⑤ Middle drawer

⑥ Down drawer

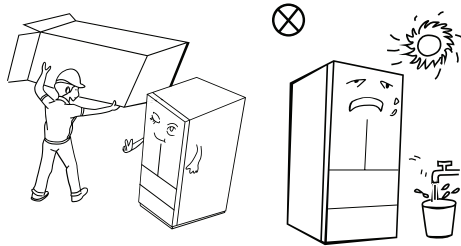
⑦ Shelf

The picture is only for reference. The actual configuration will depend on the physical product or statement by the distributor

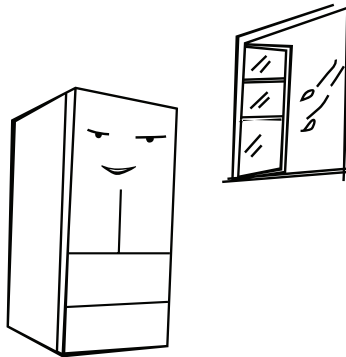
## Using the refrigerator

### Placement

- Before use, remove all packing materials, including bottom pads, foam pads and tapes inside of the refrigerator; tear off the protective film on the doors and the refrigerator body.

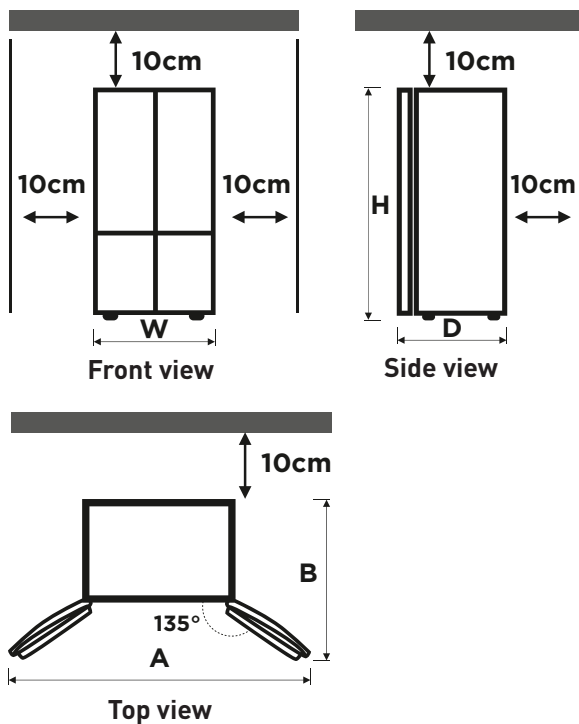


- Keep away from heat and avoid direct sunlight. Do not place the freezer in moist or wet places to prevent rust or reduction of the insulating effect.
- Do not spray or wash the refrigerator; do not put the refrigerator in moist places easy to be splashed with water so as not to affect the electrical insulation properties of the refrigerator.



- The space on top of the refrigerator shall be greater than 10cm, and the refrigerator should be placed against a wall with a distance of more than 10cm to facilitate heat dissipation.

Spare enough space for convenient opening of the doors and drawers or statement by the distributor.



Width "w"	833 mm
Depth "D" (without handle)	653 mm
Height "H"	1775 mm
A	1400 mm
B	1000 mm

The measurements in the above table may differ, depending on the measuring method.

**NOTE**

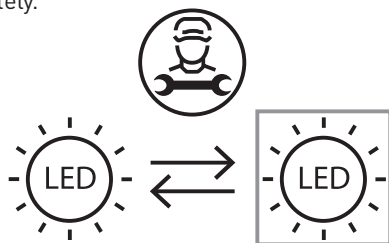
This refrigerator needs to be installed independently and cannot be used as a built-in. Otherwise, it will cause problems such as failure to install into the cabinet, the performance and life of the product are reduced. And the manufacturer does not provide basic product warranty.

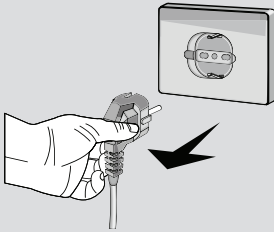
**Energy saving tips**

- The appliance should be located in the coolest area of the room, away from heat producing appliances or heating ducts, and out of the direct sunlight.
- Let hot foods cool down to room temperature before placing it in the appliance. Overloading the appliance forces the compressor to run longer. Foods that freezes too slowly may lose quality, or spoil.
- Be sure to wrap foods properly, and wipe containers dry before placing them in the appliance. This cuts down on frost build-up inside the appliance.
- Appliance storage bins should not be lined with tin foil, wax paper, or paper toweling. Liners interfere with cold air circulation, making the appliance less efficient.
- Organize and label food to reduce door openings and extended searches. Remove as many items as needed at one time, and close the door as soon as possible

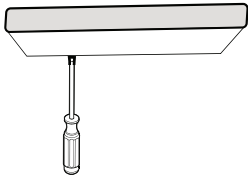
**Changing the light**

- This product contains a light source of energy efficiency class G.
- Light source in this product can only be replaced by qualified professionals.
- Please contact after-sales service if the light source fails.
- The light source shall be removed at the end of the product's useful life, with sorting and recycling done separately.





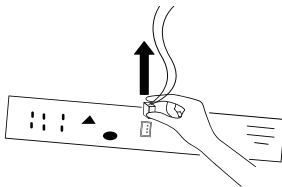
1. Please take out the plug before removal.



2. Remove the lampshade with a screwdriver.



3. Take down the lamp panel.



4. Remove the connection terminal.

### Start to use

- Before initial start, keep the refrigerator still for two hours before connecting it to power supply.
- Before placing any fresh or frozen foods, the refrigerator should have run for 2 - 3 hours, or for above 4 hours in summer when the ambient temperature is high.

### NOTE

This product is not recommended for use with sockets or main switch with the A/ GFCI function, otherwise it may cause false tripping.

1. It's not pose a safety risk when tripped.
2. If tripping persists, it is recommended to replace the sockets or main switch without A/GFCI function.

**Refrigerating chamber**

- The Refrigerating Chamber is suitable for storage of a variety of fruits, vegetables, beverages and other food consumed in the short term, suggested storage time 3days to 5days.
- Cooking foods shall not be put in the refrigerating chamber until cooled to room temperature.
- Foods are recommended to be sealed up before putting into the refrigerator.
- The glass shelves can be adjusted up or down for a reasonable amount of storage space and easy use.

**Freezing chamber**

- The low temperature freezing chamber may keep food fresh for a long time and it is mainly used to store frozen foods and making ice.
- The freezing chamber is suitable for storage of meat, fish, rice balls and other foods not to be consumed in short term.
- Chunks of meat are preferably to be divided into small pieces. Please be noted food shall be consumed within the shelf time.

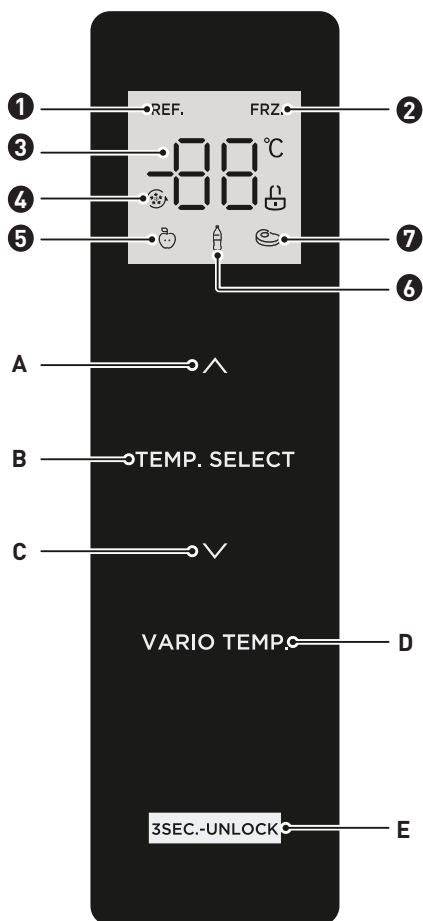
Drawers, food boxes, shelves, etc. placed according to the position in the picture above are the most energy efficient.

**NOTE**

Storage of too much food during operation after the initial connection to power may adversely affect the freezing effect of the refrigerator. Foods stored shall not block the air outlet; or otherwise the freezing effect will also be adversely affected.



## Functions



- 1 Refrigerating icon
- 2 Freezer icon
- 3 Temperature display icon
- 4 Super cool / freezing icon

5 Fruit/vegetable icon

6 Drink icon

7 Meat icon

A Temperature up button

B Temperature zone selection button


C Temperature down button

D Vario temp select

E Lock/Unlock button

## Operation instructions

### Display

- When electrify the refrigerator, the display screen will total display for 3 seconds. Meanwhile the starting up bell rings and then the screen enters the normal display of the operation.
- The first time for using the refrigerator, the default set temperature of refrigerating chamber and freezing chamber is 4° C/-18 °C respectively.
- When the error occurs, the display shows the error code (see next page); during normal running, the display shows the set temperature of the refrigerating chamber or freezing chamber.
- Under normal circumstances, if there is no operation on display panel or door opening action within 30s, then the display is lock, and the sate  goes out.

### Lock /unlock

- In the unlocked state, long press the lock button **3SEC.-UNLOCK** for 3 seconds, enter the lock state, the logo goes out and buzzer sounds, it means the display panel is locked, at this time, button operation cannot be implemented;
- In the locked state, long press the lock button **3SEC.-UNLOCK** for 3 seconds, enter the unlocked state, the logo lights up and buzzer sounds, it means the display panel is unlocked, at this time, button operation can be implemented;

### Temperature setting of refrigerating chamber

- Press temperature zone selection button temp, select to choose the setting temperature zone of refrigerating chamber, and then press  $\wedge$  or  $\vee$  to adjust the setting temperature of refrigerating chamber. The temperature setting range for refrigerating chamber is  $2^{\circ}\text{C} \sim 8^{\circ}\text{C}$ .

Thermostat setting for ambient  $T^{\circ}\text{C}$  : NORMAL  $\approx +24^{\circ}\text{C} (\pm 4^{\circ}\text{C})$  :  $3^{\circ}\text{C}$

Thermostat setting for ambient  $T^{\circ}\text{C}$  : COLD  $\approx +16^{\circ}\text{C} (\pm 4^{\circ}\text{C})$  :  $3^{\circ}\text{C}$

Thermostat setting for ambient  $T^{\circ}\text{C}$  : HOT  $\approx +32^{\circ}\text{C} (\pm 4^{\circ}\text{C})$  :  $3^{\circ}\text{C}$

### Temperature setting of freezing chamber

- Press temperature zone selection button temp, select to choose the setting temperature zone of freezing chamber, and then press  $\wedge$  or  $\vee$  to adjust the setting temperature of freezing chamber. The temperature setting range for refrigerating chamber is  $-24^{\circ}\text{C} \sim -16^{\circ}\text{C}$ .

Thermostat setting for ambient  $T^{\circ}\text{C}$  : NORMAL  $\approx +24^{\circ}\text{C} (\pm 4^{\circ}\text{C})$  :  $-19^{\circ}\text{C}$

Thermostat setting for ambient  $T^{\circ}\text{C}$  : COLD  $\approx +16^{\circ}\text{C} (\pm 4^{\circ}\text{C})$  :  $-19^{\circ}\text{C}$

Thermostat setting for ambient  $T^{\circ}\text{C}$  : HOT  $\approx +32^{\circ}\text{C} (\pm 4^{\circ}\text{C})$  :  $-19^{\circ}\text{C}$

### Temperature setting of variable temperature chamber

- Press Variable temperature button **VARIO TEMP**, to adjust the setting temperature of the chamber, the adjusting range is Fruit/vegetable, drink and chilled.

### Mode setting

- Set the Super cooling mode: after the temperature of the refrigeration room is adjusted to  $2^{\circ}\text{C}$ , press the temperature down button  $\vee$  to enter the super cooling mode. In the super cooling mode, the temperature of the refrigerating chamber is automatically set to  $2^{\circ}\text{C}$ .
- Exit the Super cooling mode: press the temperature up button  $\wedge$  to exit the super cooling mode or automatically exit the super cooling mode after 6h.
- After exiting the super cooling mode, the temperature of the refrigerator will automatically return to the temperature set before the super cooling mode
- Set the super freezing mode: after the temperature of the freezing chamber is adjusted to  $-24^{\circ}\text{C}$ , press the temperature down button  $\wedge$  to enter the super freezing mode. In the super freezing mode, the temperature of the freezing chamber is automatically set to  $-24^{\circ}\text{C}$

- Exit the super freezing mode: press the temperature up button  $\wedge$  to exit the super freezing mode or automatically exit the super freezing mode after 43h. After exiting the super freezing mode, the freezing chamber temperature will automatically return to the temperature set before the super freezing mode

**According to IEC62552:2007, the test condition as follow: start the super freezer mode in advance, and wait when the fridge enters automatic defrosting after 18 hours, and then apply the freezer load. The maximum defrosting time is 96 hours and the minimum is 12 hours at 32°C. When conducting power consumption tests, set the vario temp to Fruit/ vegetable.**

**Recommended setting: Refrigerated chamber 4°C freezing chamber -18°C.**

## NOTE

The quick-freezing function is designed to maintain the nutritional value of the food in the freezer. It can freeze the food in the shortest time. If a large amount of food is frozen at one time, it is recommended that the user turn on the quick-freezing function and put the food in. At this time, the freezing speed of the freezer compartment is increased, which can quickly freeze the food, effectively lock the nutrition of the food, and facilitate storage.

### Sabbath mode

Unlock the fridge, and then press the  $\vee$  and the lock button at the same time for 4 seconds, into the Sabbath mode. Press any key to exit. In this mode the fridge status:

- a. Display control board and lights remain off, and no alarm.
- b. The refrigerator cools normally.
- c. Within five minutes of the door opening, compressor, fan motor status does not change.

### Storage upon power failure

In case of power failure, the instant working state will be locked and maintained till re-electrification.

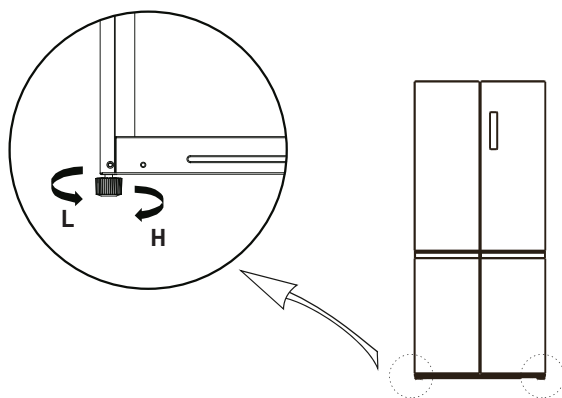
Fault indication

The following warnings appearing on the display indicate corresponding faults of the refrigerator. Though the refrigerator may still have cold storage function with the following faults, the user shall contact a maintenance specialist for maintenance, so as to ensure optimized operation of the appliance.

Fault Code	Fault Description
<b>E1</b>	<b>Temperature sensor failure of refrigerating chamber</b>
<b>E2</b>	<b>Temperature sensor failure of freezing chamber</b>
<b>E3</b>	<b>Temperature sensor failure of variable temperature chamber</b>
<b>E4</b>	<b>Failure of defrosting sensor in refrigerating chamber</b>
<b>E5</b>	<b>Freezing defrost sensor detection circuit error</b>
<b>E6</b>	<b>Communication error</b>
<b>E7</b>	<b>Circulation of temperature detection circuit error</b>
<b>EH</b>	<b>Moisture sensor error</b>

**Leveling feet**

Schematic diagram of the levelling feet.

Adjusting procedures


1. Turn the feet clockwise to raise the refrigerator;

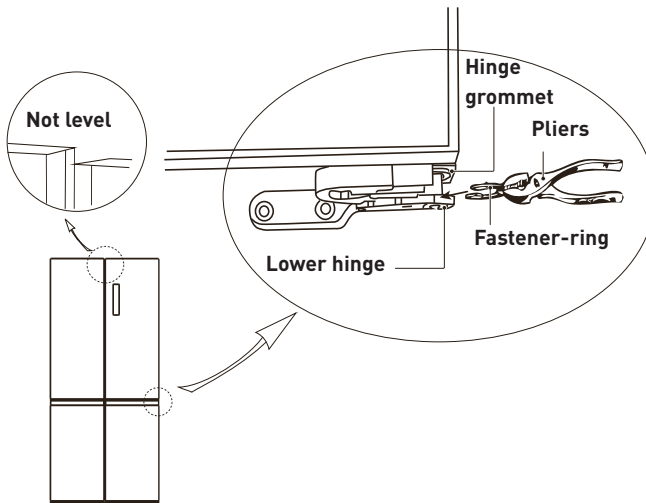
2. Turn the feet counterclockwise to lower the refrigerator;
3. Adjust the right and left feet based on the procedures above to a horizontal level.

**The picture above is only for reference. The actual configuration will depend on the physical product or statement by the distributor.**

### Levelling door

Schematic diagram of leveling the door.

List of tools to be provided by the user	
	Plier



- Raise the lower door up to the level of the higher door.
- Insert the supplied fastener-ring by using plier in the gap between the hinge-grommet and the lower hinge. The number of fasten-rings you will need to insert depends on the gap.

**The picture above is only for reference. The actual configuration will depend on the physical product or statement by the distributor.**

## Cleaning and maintenance

### Overall cleaning

- Dust behind the refrigerator and on the floor must be cleaned to improve the cooling effect and energy saving.
- Check the door gasket regularly to make sure there is no debris. Clean the door gasket with a soft cloth dampened with soapy water or diluted detergent.
- The interior of the refrigerator should be cleaned regularly to avoid odors.
- Please turn off the power before cleaning the interior, remove all foods, drinks, shelves, drawers, etc.
- Use a soft cloth or sponge to clean the inside of the refrigerator, with two tablespoons of baking soda and a quart of warm water. Then rinse with water and wipe clean. After cleaning, open the door and let it dry naturally before turning on the power.
- For areas that are difficult to clean inside the refrigerator (such as narrow places, gaps or corners), we recommend to wipe them regularly with a soft rag, soft brush, etc. and when necessary, with some tools (such as thin sticks) to ensure no contaminants or bacterial accumulation in these areas.
- Do not use soap, detergent, scrub powder, spray cleaner, etc., as these may cause odors inside the refrigerator or contaminate food.
- Clean the door tray, shelves and drawers with a soft cloth dampened with soapy water or diluted detergent. Dry with a soft cloth or dry naturally.
- Wipe the outer surface of the refrigerator with a soft cloth

dampened with soapy water, detergent, etc., and then wipe dry.

- Do not use hard brushes, scouring pads, wire brushes, abrasives (such as toothpaste), organic solvents (such as alcohol, acetone, banana oil, etc.), boiling water, acid or alkaline items, which may damage the fridge surface and interior. Boiling water and organic solvents such as benzene may deform or damage plastic parts..
- Do not rinse directly with water or other liquids during cleaning to avoid short circuit or affect electrical insulation after immersion.

### **WARNING**

Please unplug the refrigerator for defrost and cleaning.

### **Defrosting**

- The refrigerator is made based on the air-cooling principle and thus has automatic defrosting function. Frost formed due to change of season or temperature may also be manually removed by disconnection of the appliance from power supply or by wiping with a dry towel.

### **Out of operation**

- Power failure: In case of power failure, even if it is in summer, foods inside the appliance can be kept for several hours; during the power failure, the times of door opening shall be reduced, and no more fresh food shall be put into the appliance.
- Long-time nonuse: The appliance shall be unplugged and



then cleaned; then the doors are left open to prevent odor.

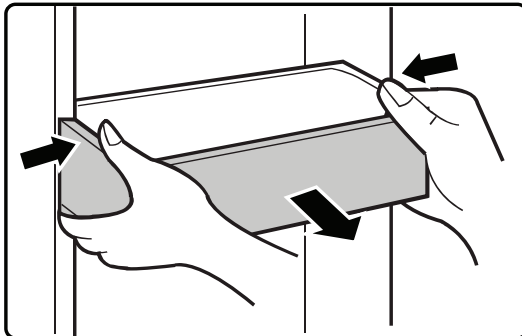
- **Moving:** Before the refrigerator is moved, take all objects inside out, fix the glass partitions, vegetable holder, freezing chamber drawers and etc. with tape, and tighten the leveling feet; close the doors and seal them with tape. During moving, the appliance shall not be laid upside down or horizontally, or be vibrated; the inclination during movement shall be no more than 45°.

### WARNING

The appliance shall run continuously once it is started. Generally, the operation of the appliance shall not be interrupted; otherwise the service life may be impaired.

### Cleaning of door tray

- According to the direction arrow in the figure below, use both hands to squeeze the tray, and push it upward, then you can take it out.
- After washing the tray having been taken out, you can adjust its installing height in accordance with your requirement.



## How to store for best preservation (applicable models only)

Cover foods to retain moisture and prevent them from picking up odors from other foods. A large pot of food like soup or stew should be divided into small portions and put in shallow containers before being refrigerated. A large cut of meat or whole poultry should be divided into smaller pieces or placed in shallow containers before being refrigerated.

## Placement of Foods

### Shelves

Shelves are adjustable to accommodate a variety of packages.

### Specialized compartment (applicable models only)

Sealed crisper drawers provide an optimal storage environment for fruit and vegetables. Vegetables require higher humidity while fruit requires lower humidity. Crispers are equipped with control devices to control the humidity level. [\*Depending on model and options] An adjustable temperature meat drawer maximizes the storage time of meats and cheeses.

### Stored on the door

Don't store perishable foods in the door. Eggs should be stored in the carton on a shelf. The temperature of the storage bins in the door fluctuate more than the temperature in the cabinet. Keep the door closed as much as possible.

### Freezer Compartment

You can store frozen food, make ice cubes and freeze fresh food in the freezer compartment.

## NOTE

Freezer fresh, undamaged food only. Keep food which is to be frozen away from food which is already frozen. To prevent food from losing its flavour or drying out, place in airtight containers.

## Refrigerator & Freezer Storage Chart

The freshness longevity depends on temperature and exposure to moisture.

Since product dates aren't a guide for safe use of a product, consult this chart and follow these tips.

Product	Refrigerator	Freezer
<b>Milk products</b>		
<b>Milk</b>	1 week	1 month
<b>Butter</b>	2 weeks	12 months
<b>Ice cream</b>	-	2-3 weeks
<b>Natural cheese</b>	1 month	4-6 months
<b>Cream cheese</b>	2 weeks	Not recommended
<b>Yogurt</b>	1 month	-
<b>Meat</b>		
<b>Fresh roasts, steaks, chops</b>	3-4 days	2-3 months
<b>Fresh ground meat, stew meat</b>	1-2 days	3-4 months
<b>Bacon</b>	7 days	1 month
<b>Sausage, Raw from pork, beef, turkey</b>	1-2 days	1-2 months
<b>Poultry / Eggs</b>		
<b>Fresh poultry</b>	2 days	6-8 months
<b>Poultry salad</b>	1 day	-
<b>Eggs, Fresh in shell</b>	2-4 weeks	Not recommended
<b>Fish / Seafood</b>		
<b>Fresh fish</b>	1-2 days	3-6 months
<b>Cooked fish</b>	3-4 days	1 month
<b>Fish salad</b>	1 day	Not recommended

Product	Refrigerator	Freezer
Dried or pickled fish	3-4 weeks	-
<b>Fruits</b>		
Apples	1 month	-
Peaches	2-3 weeks	-
Pineapple	1 week	-
Other fresh fruit	3-5 days	9-12 months
<b>Vegetables</b>		
Asparagus	2-3 days	-
Broccoli, Brussels sprouts, green peas, mushrooms	3-5 days	-
Cabbage, cauliflower, celery, cucumbers, lettuce	1 week	-
Carrots, beets, radishes	2 weeks	-

## Troubleshooting

The following simple issues can be handled by the user. Please call the after- sale service department if the issues are not solved.

Problem	Solution
<b>Failed operation</b>	<p>Check whether the appliance is connected to power or whether the plug is in well contact.</p> <p>Check whether the voltage is too low.</p> <p>Check whether there is a power failure or partial circuits have tripped.</p>
<b>Odor</b>	<p>Odorous foods shall be tightly wrapped.</p> <p>Check whether there is any rotten food.</p> <p>Clean the inside of the refrigerator.</p>
<b>Long-time operation of the compressor</b>	<p>Long operation of the refrigerator is normal in summer.</p> <p>When the ambient temperature is high It is not suggestible having too much food in the appliance at the same time.</p> <p>Food shall get cool before being put into the appliance.</p> <p>The doors are opened too frequently.</p>
<b>Light fails to get lit Side panels are hot.</b>	<p>Check whether the refrigerator is connected to power supply and whether the illuminating light is damaged.</p> <p>Have the light replaced by a specialist.</p>
<b>Door can not be properly closed</b>	<p>The door is stuck by food packages. Too much food is placed.</p> <p>The refrigerator is tilted.</p>
<b>Loud noises</b>	<p>Check whether the floor is level and whether the refrigerator is placed stably.</p> <p>Check whether accessories are placed at proper locations.</p>
<b>Door seal fails to be tight</b>	<p>Remove foreign matters on the door seal.</p> <p>Heat the door seal and then cool it for restoration (or blow it with an electrical drier or use a hot towel for heating).</p>

Problem	Solution
<b>Water pan overflows</b>	There is too much food in the chamber or food stored contains too much water, resulting in heavy defrosting. The doors are not closed properly, resulting in frosting due to entry of air and increased water due to defrosting.
<b>Hot housing</b>	Heat dissipation of the built-in condenser via the housing, which is normal. When housing becomes hot due to high ambient temperature, storage of too much food or shutdown of the compressor is shut down, provide sound ventilation to facilitate heat dissipation
<b>Surface condensation</b>	Condensation on the exterior surface and door seals of the refrigerator is normal when the ambient humidity is too high. Just wipe the condensate with a clean towel.
<b>Abnormal noise</b>	Buzz: The compressor may produce buzzes during operation, and the buzzes are loud particularly upon start or stop. This is normal. Creak: Refrigerant flowing inside of the appliance may produce creak, which is normal.

# Merci !

Nous vous remercions d'avoir choisi ce produit VALBERG.

Choisis, testés et recommandés par ELECTRO DEPOT, les produits de la marque VALBERG sont simples d'utilisation, tout en offrant des performances fiables et une qualité irréprochable.

Grâce à cet appareil, vous êtes assuré(e) que chaque utilisation vous apportera satisfaction.

Bienvenue chez ELECTRO DEPOT.

Consultez notre site Internet : [www.electrodepot.fr](http://www.electrodepot.fr)  
[www.electrodepot.be](http://www.electrodepot.be)

**A**

**Aperçu de l'appareil**

Description de l'appareil

---

**B**

**Utilisation de  
l'appareil**

Utilisation du réfrigérateur

---

**C**

**Informations  
pratiques**

Nettoyage et entretien  
Dépannage



## Description de l'appareil

① Éclairage LED

② Balconnet de porte

③ Grand tiroir

④ Tiroir du haut

⑤ Tiroir central

⑥ Tiroir du bas

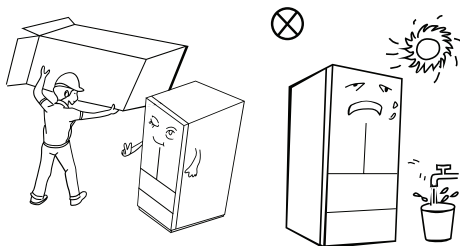
⑦ Clayette

Ce schéma est fourni à titre indicatif uniquement. La configuration réelle dépend du produit concerné ou des indications fournies par le distributeur.

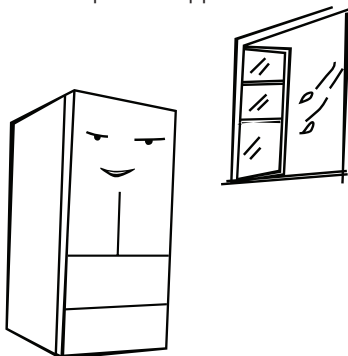
## Utilisation du réfrigérateur

### Installation

- Avant d'utiliser l'appareil, retirez tous les matériaux d'emballage, y compris le rembourrage du fond, les blocs de mousse et les adhésifs situés à l'intérieur ; ôtez le film de protection des portes et du corps du réfrigérateur.

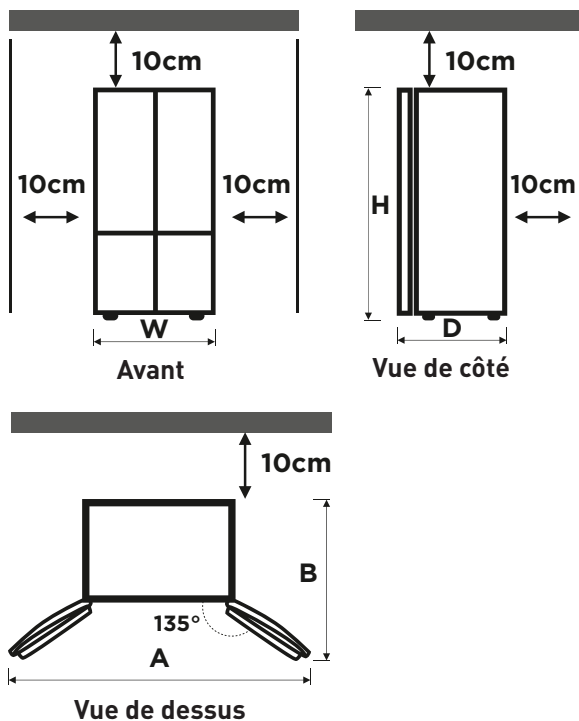


- Conservez l'appareil à l'abri de la chaleur et de la lumière directe du soleil. Ne placez pas le congélateur dans un endroit humide ou à proximité d'un point d'eau pour éviter la formation de rouille ou la diminution de l'effet isolant.
- Vous ne devez pas pulvériser ou laver le réfrigérateur. Ne le placez pas dans des endroits humides où il pourrait facilement recevoir des éclaboussures d'eau, pour ne pas nuire aux propriétés d'isolation électrique de l'appareil.



- Il convient de prévoir un espace de plus de 10 cm au-dessus du réfrigérateur. L'appareil doit être placé contre un mur, en laissant un espace libre de plus de 10 cm, afin de faciliter la dissipation de la chaleur.

Prévoyez suffisamment d'espace pour permettre une ouverture aisée des portes et des bacs, tel que préconisé par le distributeur.



<b>Largeur (L)</b>	833 mm
<b>Profondeur (D) (sans la poignée)</b>	653 mm
<b>Hauteur (H)</b>	1775 mm
<b>A</b>	1 400 mm
<b>B</b>	1 000 mm

Les mesures du tableau ci-dessous peuvent différer selon la méthode de mesure.

**REMARQUE**

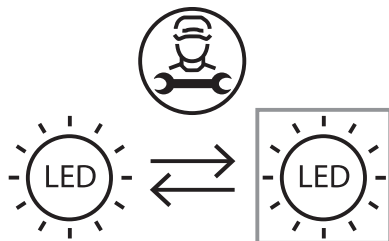
Ce réfrigérateur doit être installé indépendamment et ne peut pas être utilisé comme élément d'une cuisine intégrée. Cela risquerait de provoquer des problèmes comme une impossibilité de l'installer dans le placard, et la réduction de la durée de vie et des performances du produit. De plus, dans un tel cas, le fabricant n'assurera pas la garantie de base du produit.

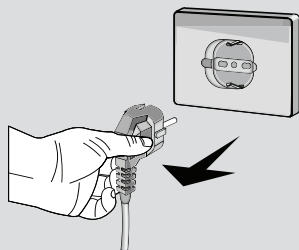
**Conseils d'économie d'énergie**

- L'appareil doit être placé dans la zone la plus fraîche de la pièce, à l'abri de la lumière directe du soleil, et ne doit pas se trouver à proximité d'appareils produisant de la chaleur ou de conduits de chauffage.
- Laissez les aliments chauds refroidir à température ambiante avant de les ranger dans l'appareil. Si vous surchargez l'appareil, le compresseur devra fonctionner plus longtemps. Si les aliments sont congelés trop lentement, ils peuvent perdre en qualité ou même pourrir.
- Assurez-vous d'emballer les aliments correctement, et essayez les récipients de manière à ce qu'ils soient parfaitement secs avant de les placer dans l'appareil. Cela permet de limiter la formation de givre à l'intérieur de l'appareil.
- Les bacs de rangement de l'appareil ne doivent pas être recouverts de papier aluminium, de papier sulfurisé, ni d'essuie-tout. Ces matériaux entravent la circulation de l'air froid, ce qui diminue l'efficacité de l'appareil.
- Organisez et étiquetez les aliments, afin de limiter les ouvertures de porte et les recherches prolongées. Essayez de sortir en une seule fois les aliments dont vous avez besoin et refermez la porte dès que possible.

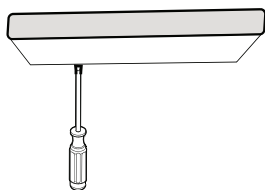
**Remplacement de la lampe**

- Ce produit contient une source lumineuse de classe d'efficacité énergétique G.
- La lampe de ce produit peut uniquement être remplacée par un professionnel qualifié.
- Veuillez contacter le service après-vente si la lampe ne fonctionne plus.
- La lampe peut être enlevée à la fin de la vie utile du produit, et triée et recyclée séparément.

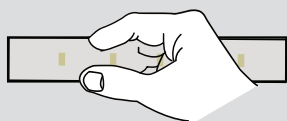




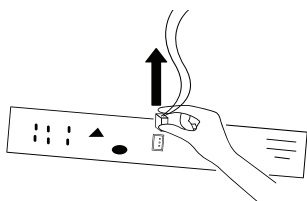
1. Veuillez débrancher la prise avant le retrait.



2. Retirez le cache de la lampe à l'aide d'un tournevis.



3. Abaissez le panneau de la lampe.



4. Retirez le terminal de connexion.

### Première utilisation

- Avant le démarrage initial de l'appareil, conservez-le immobile pendant deux heures avant de le brancher à l'alimentation électrique.
- Avant de placer des aliments frais ou congelés, le réfrigérateur doit avoir fonctionné pendant 2 à 3 heures, ou pendant plus de 4 heures en été quand la température ambiante est élevée.

**REMARQUE**

Il n'est pas recommandé d'utiliser ce produit avec des prises ou un interrupteur secteur doté d'un disjoncteur de fuite à la terre, qui peut provoquer un déclenchement involontaire.

1. Le déclenchement ne constitue pas un risque pour la sécurité.
2. Si le déclenchement persiste, il est recommandé de remplacer les prises ou l'interrupteur secteur par un modèle sans disjoncteur de fuite à la terre.

**Compartiment de réfrigération**

- Le compartiment de réfrigération convient à la conservation d'une variété de fruits, de légumes, de boissons et d'autres aliments consommés à court terme, la durée de conservation suggérée étant de 3 à 5 jours.
- Les aliments cuits ne doivent pas être placés dans le compartiment de réfrigération tant qu'ils n'ont pas refroidi et atteint la température ambiante.
- Il est recommandé d'emballer les aliments de manière hermétique avant de les ranger dans le réfrigérateur.
- Les clayettes en verre peuvent être déplacées vers le haut ou le bas pour faciliter l'utilisation de l'appareil et disposer d'un espace de rangement suffisant.

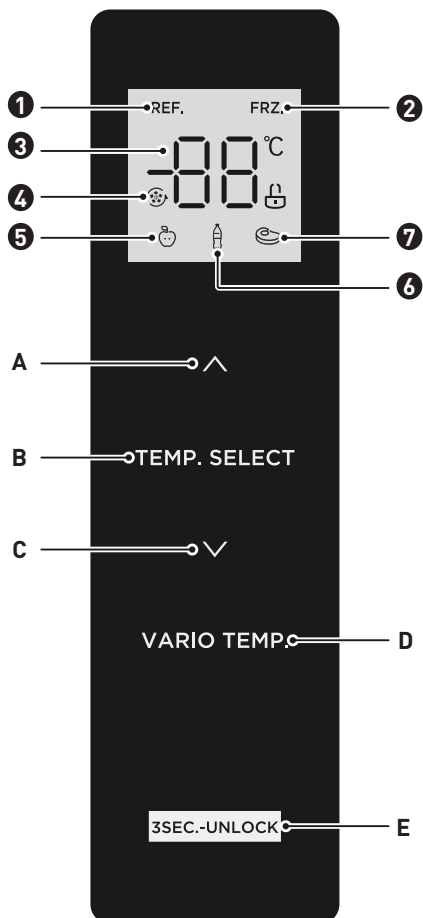
**Compartiment de congélation**

- Le compartiment de congélation à basse température permet de garder les aliments frais pendant longtemps. Il est principalement utilisé pour conserver des produits surgelés et pour fabriquer des glaçons.
- Le compartiment de congélation convient pour la conservation de viande, de poisson, de boulettes de riz et d'autres aliments qui ne vont pas être consommés à court terme.
- Il est préférable de découper la viande en petits morceaux. Veuillez noter que les aliments doivent être consommés avant la fin de leur durée limite de conservation.

Les tiroirs, boîtes d'aliments, clayettes, etc. placés selon la position représentée dans l'image ci-dessus sont les plus performants en termes d'efficacité énergétique.

**REMARQUE**

Si vous placez une quantité trop importante d'aliments dans le réfrigérateur après l'avoir branché pour la première fois, cela risque d'affecter ses propriétés de congélation. Veillez à ce que les aliments placés dans le réfrigérateur n'obstruent pas la sortie d'air ; sans quoi cela affectera les propriétés de congélation de l'appareil.


**Fonctions**



- ① Icône réfrigération
- ② Icône congélation
- ③ Icône affichage de la température
- ④ Icône Super réfrigération / congélation
- ⑤ Icône fruits/légumes
- ⑥ Icône boisson
- ⑦ Icône viande
- A Bouton augmentation de la température
- B Bouton de sélection de la zone de température
- C Bouton diminution de la température
- D Sélection température variable
- E Bouton de verrouillage/déverrouillage

## Consignes d'utilisation

### Affichage

- Une fois le réfrigérateur branché à l'alimentation électrique, l'écran affiche l'ensemble des fonctions pendant 3 secondes. La sonnerie de démarrage retentit, puis l'écran présente l'affichage normal de fonctionnement de l'appareil.
- Lors de la première utilisation du réfrigérateur, la température par défaut du compartiment de réfrigération et du compartiment de congélation est réglée sur 4 ° C et -18 °C respectivement.
- En cas d'erreur, l'écran affiche un code d'erreur (voir page suivante) ; lorsqu'il fonctionne normalement, l'écran affiche la température définie du compartiment de réfrigération ou du compartiment de congélation.
- Dans des circonstances normales, si aucune opération n'est indiquée sur le panneau d'affichage, et si la porte n'est pas actionnée pendant un délai de 30 s, l'affichage se verrouille et l'icône  disparaît.

### Verrouillage/Déverrouillage

- En mode déverrouillé, appuyez sur le bouton verrouillage **3SEC.-UNLOCK** pendant 3 secondes pour verrouiller. Le logo disparaît et un bip retentit, ce qui signifie que le panneau d'affichage est verrouillé, et qu'aucun bouton ne peut être actionné ;
- En mode verrouillé, appuyez sur le bouton verrouillage **3SEC.-UNLOCK** pendant 3 secondes pour déverrouiller. Le logo s'allume et un bip retentit, ce qui signifie que le panneau d'affichage est déverrouillé, et que les autres boutons peuvent être actionnés ;

### Réglage de la température du compartiment de réfrigération

- Appuyez sur le bouton de sélection de la zone de température, sélectionnez la zone de température à régler, puis appuyez sur  $\wedge$  ou  $\vee$  pour régler la température du compartiment de réfrigération. La plage de réglage de la température pour le compartiment de réfrigération est de 2 à 8 °C.

Réglage du thermostat pour T°C ambiante : NORMALE  $\approx +24^{\circ}\text{C}$  ( $\pm 4^{\circ}\text{C}$ ) : 3°C

Réglage du thermostat pour T°C ambiante : FROIDE  $\approx +16^{\circ}\text{C}$  ( $\pm 4^{\circ}\text{C}$ ) : 3°C

Réglage du thermostat pour T°C ambiante : CHAUDE  $\approx +32^{\circ}\text{C}$  ( $\pm 4^{\circ}\text{C}$ ) : 3°C

### Réglage de la température du compartiment de congélation

- Appuyez sur le bouton de sélection de la zone de température, sélectionnez la zone de température à régler, puis appuyez sur  $\wedge$  ou  $\vee$  pour régler la température du compartiment de congélation. La plage de réglage de la température pour le compartiment de congélation est de -24 °C à -16 °C.

Réglage du thermostat pour T°C ambiante : NORMALE  $\approx +24^{\circ}\text{C}$  ( $\pm 4^{\circ}\text{C}$ ) : -19°C

Réglage du thermostat pour T°C ambiante : FROIDE  $\approx +16^{\circ}\text{C}$  ( $\pm 4^{\circ}\text{C}$ ) : -19°C

Réglage du thermostat pour T°C ambiante : CHAUDE  $\approx +32^{\circ}\text{C}$  ( $\pm 4^{\circ}\text{C}$ ) : -19°C

### Réglage de la température de la zone à température variable

- Appuyez sur le bouton Température variable **VARIO TEMP** pour régler la température du compartiment, en choisissant entre Fruits/légumes, Boissons et Refroidissement.

### Réglage des modes

- Réglage du mode Super réfrigération : une fois que la température du compartiment est réglée sur 2°C, appuyez sur le bouton de diminution de la température  $\vee$  pour entrer dans le mode super réfrigération. En mode super réfrigération, la température du compartiment réfrigérant est automatiquement réglée sur 2°C.

- Sortir du mode Super réfrigération : appuyez sur le bouton d'augmentation de la température  $\wedge$  pour sortir du mode super réfrigération, ou le mode super réfrigération s'arrête tout seul au bout de 6h.
- À la fin du mode super réfrigération, la température du réfrigérateur revient automatiquement à la température réglée avant la mise en route du mode super réfrigération
- Réglage du mode Super congélation : une fois que la température du compartiment est réglé sur  $-24^{\circ}\text{C}$ , appuyez sur le bouton de diminution de la température  $\wedge$  pour entrer dans le mode super congélation. En mode super congélation, la température du compartiment congélation est automatiquement réglée sur  $-24^{\circ}\text{C}$ .
- Sortir du mode Super congélation : appuyez sur le bouton d'augmentation de la température  $\wedge$  pour sortir du mode super congélation, ou le mode super congélation s'arrête tout seul au bout de 43h. À la fin du mode super congélation, la température du congélateur revient automatiquement à la température réglée avant la mise en route du mode super congélation

**Les conditions de test pour l'IEC62552:2007 sont les suivantes : démarrer le mode super congélation à l'avance, et attendre que le réfrigérateur se mette en dégivrage automatique au bout de 18h, puis charger le congélateur. La durée maximale du dégivrage est de 96h, et la durée minimale est de 12h à  $32^{\circ}\text{C}$ . Lors de la réalisation des tests de consommation électrique, régler la température variable sur Fruits/légumes.**

**Réglages recommandés :  $4^{\circ}\text{C}$  pour le compartiment de réfrigération et  $-18^{\circ}\text{C}$  pour le compartiment de congélation.**

## REMARQUE

La fonction congélation rapide est conçue pour conserver la valeur nutritionnelle de la nourriture dans le congélateur. Elle permet de congeler les aliments le plus rapidement possible. Si une grande quantité de nourriture est congelée en même temps, il est recommandé d'activer la fonction congélation rapide et de mettre la nourriture dans le congélateur. À ce moment, la vitesse de congélation du compartiment congélateur augmente, ce qui lui permet de congeler rapidement les aliments, de conserver leur valeur nutritionnelle et de faciliter le stockage.

Mode Shabbat :

Déverrouillez le réfrigérateur, puis appuyez sur  $\vee$  et le bouton verrouillage simultanément pendant 4 secondes pour entrer dans le mode Shabbat. Appuyez sur n'importe quelle touche pour en sortir. Dans ce mode, le statut du réfrigérateur :

- a. L'affichage du panneau de commande et les témoins restent éteints, sans alarme.
- b. Le réfrigérateur refroidit normalement.
- c. Pendant 5 minutes après l'ouverture de la porte, le statut du compresseur et du ventilateur ne changent pas.

Conservation en cas de panne de courant

En cas de panne de courant, l'état de fonctionnement en cours sera verrouillé et maintenu jusqu'au rétablissement du courant.

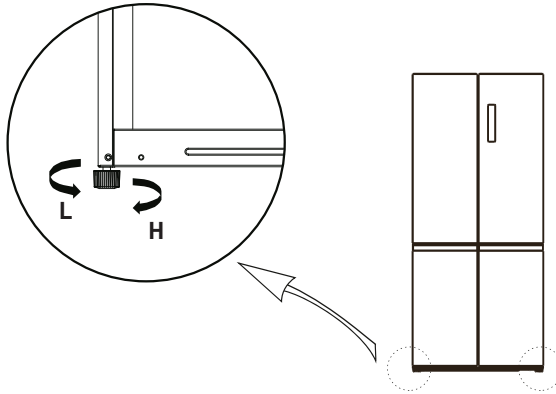
Indications des pannes

Les avertissements suivants apparaîtront sur l'écran pour signaler les pannes correspondantes de l'appareil. Même s'il est possible que l'appareil puisse continuer à assurer un entreposage frigorifique malgré les pannes suivantes, l'utilisateur doit contacter un réparateur spécialisé afin de garantir le fonctionnement optimal de l'appareil.

Code d'erreur	Description de l'erreur
<b>E1</b>	<b>Défaillance du capteur de température du compartiment de réfrigération</b>
<b>E2</b>	<b>Défaillance du capteur de température du compartiment de congélation</b>
<b>E3</b>	<b>Défaillance du capteur de température du compartiment à température variable</b>
<b>E4</b>	<b>Défaillance du capteur de dégivrage du compartiment de réfrigération</b>
<b>E5</b>	<b>Défaillance du circuit de détection du capteur de dégivrage</b>
<b>E6</b>	<b>Erreur de communication</b>
<b>E7</b>	<b>Défaillance du circuit de détection de la température</b>
<b>EH</b>	<b>Défaillance du capteur d'humidité</b>

**Mise à niveau des pieds**

Schéma des pieds de mise à niveau.


Procédures d'ajustement

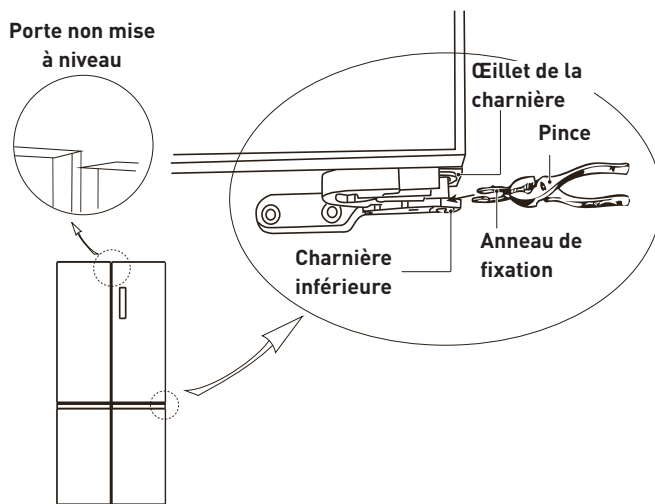
1. Tournez les pieds dans le sens des aiguilles d'une montre pour rehausser l'appareil.
2. Tournez les pieds dans le sens inverse des aiguilles d'une montre pour abaisser l'appareil.
3. Réglez le pied droit et le pied gauche en suivant la procédure ci-dessus, jusqu'à ce que l'appareil soit de niveau.

**Le schéma ci-dessus est fourni à titre indicatif uniquement. La configuration réelle dépend du produit concerné ou des indications fournies par le distributeur.**

### Mise à niveau des portes

Schéma de mise à niveau de la porte.

Liste des outils à fournir par l'utilisateur	
	Pince



- Soulevez la porte inférieure jusqu'au niveau de la porte supérieure.
- À l'aide d'une pince, insérez l'anneau de fixation fourni dans l'espace situé entre l'œillet de la charnière et la charnière inférieure. Le nombre d'anneaux de fixation dont vous aurez besoin dépendra de l'espace à combler.

**Le schéma ci-dessus est fourni à titre indicatif uniquement. La configuration réelle dépend du produit concerné ou des indications fournies par le distributeur.**

## Nettoyage et entretien

### Nettoyage général

- La poussière à l'arrière du réfrigérateur et au sol doit être nettoyée régulièrement pour améliorer les propriétés de refroidissement de l'appareil et économiser de l'énergie.
- Vérifiez régulièrement le joint de la porte pour vous assurer qu'il ne comporte pas de résidus. Nettoyez le joint de porte à l'aide d'un chiffon doux humidifié d'eau savonneuse ou de détergent dilué.
- L'intérieur du réfrigérateur doit également être nettoyé régulièrement afin d'éviter toute formation d'odeurs.
- Avant de nettoyer l'intérieur de l'appareil, coupez l'alimentation et retirez l'ensemble des aliments, boissons, clayettes et bacs.
- Pour nettoyer l'intérieur du réfrigérateur, utilisez un chiffon doux ou une éponge imbibé(e) d'une solution contenant deux cuillères à soupe de bicarbonate de soude et un litre d'eau chaude. Rincez ensuite à l'eau claire et essuyez. Une fois le nettoyage effectué, ouvrez la porte et laissez sécher l'intérieur à l'air libre avant de remettre l'appareil sous tension.
- Pour les parties intérieures difficiles à nettoyer (comme les rainures, les espaces étroits ou les coins), il est recommandé de les essuyer régulièrement à l'aide d'un chiffon doux ou d'une brosse douce etc., et si nécessaire, d'utiliser des outils auxiliaires (par exemple des baguettes fines), afin d'éviter que des contaminants ou bactéries ne s'y accumulent.

- N'utilisez pas de savon, de détergent, de poudre à récurer, de spray nettoyant, etc., car ces derniers pourraient générer des odeurs à l'intérieur du réfrigérateur ou contaminer la nourriture.
- Nettoyez le balconnet à bouteilles, les clayettes et les bacs à l'aide d'un chiffon doux humidifié avec de l'eau savonneuse ou du détergent dilué. Séchez-les à l'aide d'un chiffon doux ou à l'air libre.
- Essuyez la surface extérieure du réfrigérateur à l'aide d'un chiffon doux humidifié avec de l'eau savonneuse ou du détergent, par exemple, puis séchez-la.
- N'utilisez pas de brosses dures, de tampons à récurer métalliques, de brosses métalliques, de produits abrasifs (comme du dentifrice), de solvants organiques (comme de l'alcool, de l'acétone, de l'acétate d'amylo, etc.), d'eau bouillante, de substances acides ou alcalines : ils risqueraient d'endommager la surface et l'intérieur de l'appareil. L'eau bouillante et les solvants organiques comme le benzène risquent de déformer ou d'endommager les pièces en plastique..
- Ne rincez pas l'appareil directement avec de l'eau ou d'autres liquides lors du nettoyage, afin d'éviter tout court-circuit ou d'affecter l'isolation électrique en cas d'immersion.

**AVERTISSEMENT**

Débranchez l'appareil avant de le dégivrer ou de le nettoyer.



## Dégivrage

- Les réfrigérateurs s'appuient sur le principe de refroidissement par circulation d'air et dispose donc d'une fonction de dégivrage automatique. Le givre qui se forme en raison des changements de saison ou de température peut également être retiré manuellement, en débranchant l'appareil de l'alimentation électrique ou en l'essuyant avec un chiffon sec.

## Mise hors service

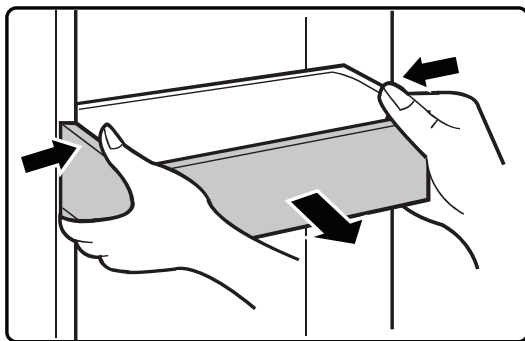
- Panne de courant : dans un tel cas, même en été, les aliments à l'intérieur de l'appareil peuvent se conserver pendant plusieurs heures. Pendant la panne de courant, limitez le nombre d'ouvertures de la porte et ne rajoutez plus d'aliments frais dans l'appareil.
- Inutilisation prolongée : l'appareil doit être débranché, puis nettoyé. Les portes doivent ensuite être laissées ouvertes pour éviter la formation d'odeurs.
- Déplacement : avant de déplacer l'appareil, videz-le de son contenu, fixez avec de l'adhésif les clayettes en verre, le tiroir à légumes, les tiroirs du compartiment de congélation, etc., et resserrez les pieds de réglage. Fermez les portes et fixez-les avec de l'adhésif. Lors du déplacement, l'appareil ne doit pas être posé à l'envers, placé en position horizontale, ni soumis à des vibrations. Pendant une telle opération, son inclinaison ne doit pas dépasser 45 °.

**AVERTISSEMENT**

Une fois le démarrage effectué, l'appareil fonctionnera en continu. En règle générale, le fonctionnement de l'appareil ne doit pas être interrompu, sans quoi cela pourrait nuire à sa durée de vie.

**Nettoyage du balconnet de porte**

- En suivant la flèche de direction dans le schéma ci-dessus, exercez une légère pression sur le balconnet à l'aide des deux mains, tout en poussant vers le haut. Vous pourrez alors le dégager.
- Une fois le balconnet de porte nettoyé, vous pouvez ajuster sa hauteur d'installation selon vos besoins.

**Comment ranger pour une préservation optimale (modèles concernés uniquement)**

Couvrir les aliments pour retenir l'humidité et éviter qu'ils ne s'imprègnent des odeurs des autres aliments. Les grandes quantités de soupe ou de plats mijotés doivent être divisées en plus petites portions et placées dans des récipients peu

profonds avant d'être réfrigérés. Les gros morceaux de viande ou les volailles entières doivent être découpés en plus petits morceaux et être placés dans des récipients peu profonds avant d'être réfrigérés.

## Placement des aliments

<b>Clayettes</b>	Les clayettes sont réglables pour accueillir différents conditionnements.
<b>Compartment spécialisé (modèles concernés uniquement)</b>	Les tiroirs à légumes hermétiques offrent un environnement de stockage optimal pour les fruits et légumes. Les légumes ont besoin de plus d'humidité que les fruits. Les bacs sont équipés de dispositifs de contrôle du niveau d'humidité. (*Selon le modèle et les options) Un tiroir à viande à température réglable permet d'optimiser la durée de conservation des viandes et fromages.
<b>Stockés dans la porte</b>	Ne pas conserver d'aliments périssables dans la porte. Les œufs doivent être conservés dans leur boîte sur une clayette. La température de la boîte de stockage dans la porte fluctue davantage que la température à l'intérieur du compartiment. Laissez le plus possible la porte fermée.
<b>Compartment congélateur</b>	Vous pouvez stocker des aliments congelés, faire des glaçons ou congeler de la nourriture fraîche dans le compartiment congélation.

### REMARQUE

Congelez uniquement des aliments frais et non abîmés. Conservez la nourriture à congeler à distance des aliments déjà congelés. Pour éviter que la nourriture perde sa saveur ou sèche, placez-la dans des récipients hermétiques.

## Tableau de stockage du réfrigérateur et du congélateur

La conservation de la fraîcheur dépend de la température et de l'exposition à l'humidité.

Comme les dates sur les produits ne sont pas un guide d'utilisation sûr, consultez ce tableau et suivez les conseils suivants.

Produit	Réfrigérateur	Congélateur
<b>Produits laitiers</b>		
Lait	1 semaine	1 mois
Beurre	2 semaines	12 mois
Glaces et sorbets	-	2-3 semaines
Fromage	1 mois	4-6 mois
Fromage frais	2 semaines	Non recommandé
Yaourt	1 mois	-
<b>Viande</b>		
Rôtis, steaks, côtelettes (frais)	3-4 jours	2-3 mois
Viande hachée, viande à mijoter fraîche	1-2 jours	3-4 mois
Lard	7 jours	1 mois
Saucisse crue de porc, bœuf, dinde	1-2 jours	1-2 mois
<b>Volaille / Œufs</b>		
Volaille fraîche	2 jours	6-8 mois
Salade de volaille	1 jour	-
Œufs frais dans leur coquille	2-4 semaines	Non recommandé
<b>Poisson / Fruits de mer</b>		
Poisson frais	1-2 jours	3-6 mois
Poisson cuit	3-4 jours	1 mois
Salade de poisson	1 jour	Non recommandé

Produit	Réfrigérateur	Congélateur
<b>Poisson séché ou en saumure</b>	3-4 semaines	-
<b>Fruits</b>		
<b>Pommes</b>	1 mois	-
<b>Pêches</b>	2-3 semaines	-
<b>Ananas</b>	1 semaine	-
<b>Autres fruits frais</b>	3-5 jours	9-12 mois
<b>Légumes</b>		
<b>Asperges</b>	2-3 jours	-
<b>Brocoli, choux de Bruxelles, petits pois, champignons</b>	3-5 jours	-
<b>Chou, chou-fleur, céleri, concombre, salade verte</b>	1 semaine	-
<b>Carotte, betterave, radis</b>	2 semaines	-

## Dépannage

Les problèmes simples suivants peuvent être gérés par les utilisateurs. Veuillez contacter le service après-vente si vous n'arrivez pas à résoudre votre problème.

Problème	Solution
<b>L'appareil ne fonctionne pas</b>	<p>Vérifiez s'il est branché à l'alimentation électrique et si la fiche est bien insérée dans la prise.</p> <p>Vérifiez si la tension est trop faible.</p> <p>Vérifiez si vous subissez une coupure de courant ou si des circuits partiels ont disjoncté.</p>
<b>Odeurs</b>	<p>Les aliments dégageant une odeur forte doivent être bien enveloppés.</p> <p>Vérifiez si des aliments ont pourri.</p> <p>Nettoyez l'intérieur de l'appareil.</p>
<b>Fonctionnement prolongé du compresseur</b>	<p>Un fonctionnement prolongé du réfrigérateur est normal en été.</p> <p>Quand la température ambiante est élevée, il est conseillé de ne pas mettre trop de nourriture dans l'appareil en même temps.</p> <p>Les aliments doivent refroidir avant d'être placés dans l'appareil.</p> <p>Les portes sont ouvertes trop fréquemment.</p>
<b>La lumière ne s'allume pas Les panneaux latéraux sont chauds.</b>	<p>Vérifiez si l'appareil est branché à l'alimentation électrique et si l'éclairage est endommagé.</p> <p>Faites remplacer l'ampoule par un spécialiste.</p>
<b>La porte ne peut pas être correctement fermée</b>	<p>La porte est bloquée par les emballages des aliments. L'appareil contient une quantité trop importante d'aliments.</p> <p>L'appareil est incliné.</p>
<b>Bruits forts</b>	<p>Vérifiez si le sol est plat et si l'appareil est positionné de manière stable.</p> <p>Vérifiez si les accessoires sont placés au bon endroit.</p>

Problème	Solution
<b>Le joint de porte n'est pas hermétique</b>	<p>Retirez les éventuels corps étrangers présents sur les joints de la porte.</p> <p>Chauffez le joint de la porte, puis laissez-le refroidir et se remettre en place (vous pouvez utiliser un sèche-cheveux électrique ou une serviette chaude pour le chauffer).</p>
<b>Le bac de récupération d'eau déborde</b>	<p>Une quantité trop importante de nourriture est placée dans l'appareil ou les aliments stockés contiennent trop d'eau, ce qui a entraîné un dégivrage important.</p> <p>Les portes ne sont pas fermées correctement, ce qui forme du givre en raison de l'entrée d'air et de la présence d'une plus grande quantité d'eau liée au dégivrage.</p>
<b>Le caisson de l'appareil est chaud</b>	<p>La chaleur du condenseur intégré se dissipe via le caisson, ce qui est normal.</p> <p>Quand la structure devient chaude en raison d'une température ambiante élevée, du stockage d'une trop grande quantité de nourriture ou de l'arrêt du compresseur, assurez une bonne ventilation pour faciliter la dissipation de la chaleur</p>
<b>Condensation sur la surface de l'appareil</b>	<p>La condensation sur la surface externe et les joints de porte du réfrigérateur est normale lorsque l'humidité ambiante est trop élevée. Il suffit d'essuyer la condensation avec un chiffon propre.</p>
<b>Bruits anormaux</b>	<p>Bourdonnement : il est possible que le compresseur bourdonne pendant son fonctionnement, et ces bruits sont particulièrement forts lors du démarrage ou de l'arrêt. Ceci est normal.</p> <p>Craquements : Le fluide frigorigène circulant à l'intérieur de l'appareil peut émettre des craquements, ce qui est normal.</p>





# Bedankt!

Bedankt om dit VALBERG-product te kiezen.  
ELECTRO DEPOT kiest, test, en beveelt de producten  
van het merk VALBERG aan.

Ze zijn eenvoudig te gebruiken, betrouwbaar en van  
onberispelijke kwaliteit.

Dankzij dit toestel kunt u er zeker van zijn dat u bij  
elk gebruik volledig tevreden bent.

Welkom bij ELECTRO DEPOT.

Bezoek onze website: [www.electrodepot.be](http://www.electrodepot.be)



**ELECTRO DEPOT**

50

NL

**A**

**Overzicht van het  
toestel**

Beschrijving van het toestel

---

**B**

**Gebruik van het  
toestel**

Gebruik van de koelkast

---

**C**

**Praktische informatie**

Reiniging en onderhoud  
Probleemoplossing

## Beschrijving van het toestel

① LED-verlichting

② Deurrekje

③ Grote lade

④ Bovenste lade

⑤ Middelste lade

⑥ Onderste lade

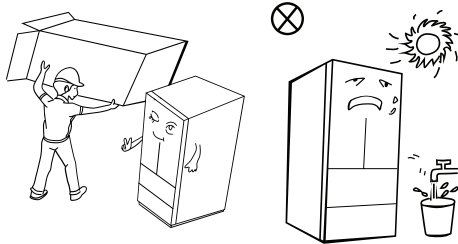
⑦ Legplank

Bovenstaande afbeelding is enkel ter referentie. De eigenlijke configuratie is afhankelijk van het product of de verklaring van de verdeler

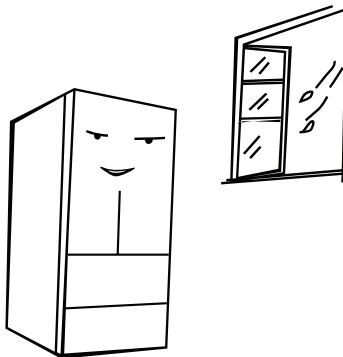
## Gebruik van de koelkast

### Installatie

- Verwijder alle verpakkingsmaterialen, inclusief bescherming van de onderkant, piepschuim en kleefband, van de koelkast voor u ze gebruikt. Verwijder de beschermende folie van de deuren en van de behuizing van de koelkast.

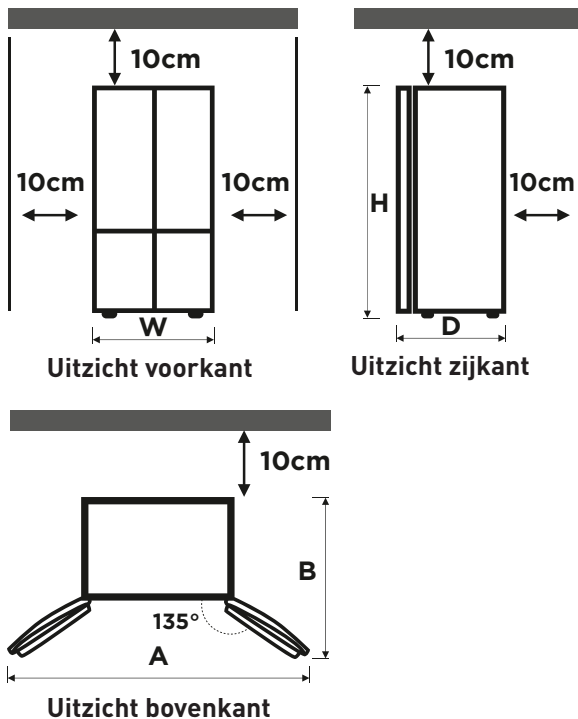


- Houd uit de buurt van warmte en vermijd rechtstreeks zonlicht. Installeer de diepvriezer niet in vochtige ruimten om roestvorming te voorkomen en de isolerende werking van het toestel niet te verminderen.
- Besproei of was de koelkast niet; Plaats de koelkast niet in vochtige ruimten waar ze gemakkelijk bespat kan worden met water om de elektrische isolatie-eigenschappen van de koelkast niet te beïnvloeden.



- De ruimte boven de koelkast moet groter zijn dan 10 cm en de koelkast moet op meer dan 10 cm van een muur geplaatst worden zodat warmte gemakkelijk kan worden afgevoerd.

Voorzie voldoende ruimte om de deuren en laden gemakkelijk te kunnen openen of zie verklaring van de verdeler.



Breedte "B"	833 mm
Diepte "D" (zonder handvat)	653 mm
Hoogte "H"	1775 mm
A	1400 mm
B	1000 mm

De afmetingen in de tabel hierboven kunnen afwijken, afhankelijk van de meetmethode.

**OPMERKING**

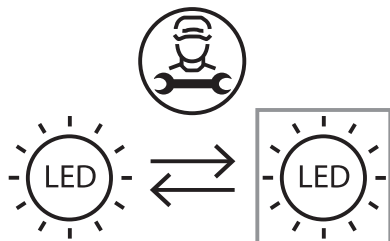
De koelkast moet afzonderlijk geïnstalleerd worden en kan niet ingebouwd worden. Dit veroorzaakt anders problemen. Het toestel kan bijvoorbeeld niet in de kast geplaatst worden of de prestaties verminderen en de levensduur wordt verkort. De fabrikant geeft geen basisgarantie op het product in zo'n geval.

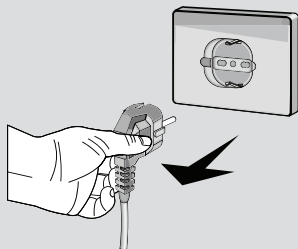
**Tips om energie te besparen**

- Het toestel moet in de koelste zone van de kamer worden geplaatst, verwijderd van toestellen die warmte genereren of verwarmingskanalen en mag niet in rechtstreeks zonlicht staan.
- Laat hete voedingswaren afkoelen tot kamertemperatuur voor u ze in het toestel plaatst. Wanneer het toestel te vol wordt geladen, wordt de compressor gedwongen om langer te werken. Voedingswaren die te langzaam worden diepgevroren kunnen hun kwaliteit verliezen of bederven.
- Zorg ervoor dat voedingswaren naar behoren worden verpakt en wrijf containers droog vooraleer u ze in het toestel plaatst. Zo verhindert u dat er veel ijs aan de wanden ontwikkelt.
- De opslaglades van het toestel mogen niet bekleed worden met aluminiumfolie, vetvrij papier of keukenpapier. Afdekmaterialen hinderen de circulatie van koude lucht waardoor het toestel minder efficiënt wordt.
- Organiseer de voedingswaren en kleef er etiketten op om het aantal keren dat de deuren worden geopend te verminderen en om te vermijden dat lang moet worden gezocht. Verwijder in één keer zo veel artikelen als nodig en sluit de deur zo snel mogelijk

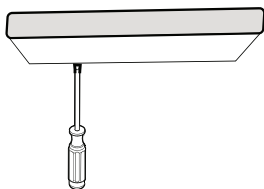
**De lamp vervangen**

- Dit product heeft een lichtbron van energie-efficiëntieklasse F.
- De lichtbron van dit product mag enkel vervangen worden door gekwalificeerde professionals.
- Gelieve contact op te nemen met de dienst na verkoop wanneer de lichtbron defect is.
- De lichtbron dient op het einde van de levensduur van het product te worden verwijderd, waarbij het sorteren en recycleren afzonderlijk gebeurt.

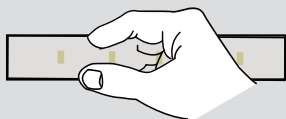




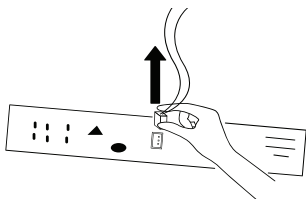
1. Trek eerst de stekker uit het stopcontact.



2. Verwijder het afdekplaatje van de lamp met een schroevendraaier.



3. Verwijder het lamppaneel.



4. Verwijder de aansluitterminal.

### Het eerste gebruik

- Verplaats de koelkast niet gedurende twee uur voor u voor de eerste keer de stekker in het stopcontact steekt.
- Voor u verse of ingevroren voeding in de koelkast plaatst, dient u ze 2- 3 uur te laten werken, of langer dan 4 uur in de zomer wanneer de omgevingstemperatuur hoog is.



**OPMERKING**

Het is niet aanbevolen om dit product te gebruiken met stopcontacten of hoofdschakelaar met aardlekschakelaarsfunctie. Dit kan ertoe leiden dat stroomonderbrekers geactiveerd worden.

1. Dit houdt geen veiligheidsrisico in.
2. Indien het activeren zich blijft voordoen, wordt het aanbevolen om stopcontacten of een hoofdschakelaar zonder aardlekschakelaarsfunctie te plaatsen.

**Koelruimte**

- De koelruimte is geschikt voor het opslaan van allerlei fruit, groenten, dranken en andere voeding die op korte termijn wordt geconsumeerd. De gesuggereerde bewaartermijn is 3 tot 5 dagen.
- Gekookte voeding mag niet in de koelruimte worden geplaatst tot ze afgekoeld is tot kamertemperatuur.
- Het is aanbevolen om voeding in een afgesloten container te doen alvorens ze in de koelkast te plaatsen.
- De glazen legplanken kunnen hoger of lager geplaatst worden om een redelijke opslagruimte te bekomen die gemakkelijk kan worden gebruikt.

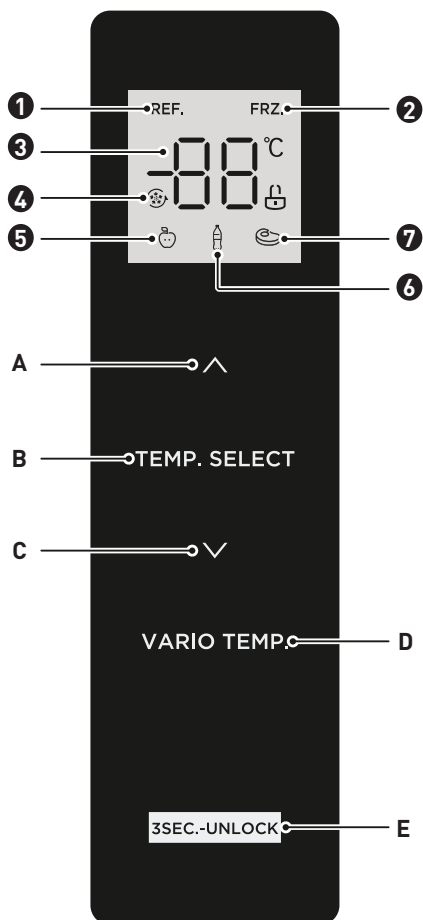
**Diepvriesruimte**

- Door de lage temperatuur in de diepvriesruimte kan voeding langer vers worden gehouden. Ze wordt vooral gebruikt voor het bewaren van diepgevroren voeding en voor het maken van ijs.
- De diepvriesruimte is geschikt voor het bewaren van vlees, vis, rijstballetjes en andere voeding die niet op korte termijn wordt geconsumeerd.
- Het wordt aanbevolen grote stukken vlees in kleinere stukken te snijden. Gelieve er rekening mee te houden dat voeding geconsumeerd moet worden binnen de bewaartermijn.

Lades, voedseldozen, legplanken enzovoort die worden geplaatst zoals aangegeven op de afbeelding hierboven zijn het meest energie-efficiënt.

**OPMERKING**


Te veel voeding bewaren nadat de stekker voor het eerst in het stopcontact wordt gestopt kan een nadelige impact hebben op de diepvrieseffect van de koelkast. Bewaarde voeding mag de luchtuitlaat niet blokkeren; anders kan het vrieseffect negatief worden beïnvloed.

**Functies**

- ① Symbool koelkast
  - ② Symbool diepvriezer
  - ③ Symbool temperatuurweergave
  - ④ Symbool Sterk koelen / diepvriezer
  - ⑤ Symbool fruit/groenten
  - ⑥ Symbool dranken
  - ⑦ Symbool vlees
- A Knop temperatuur omhoog
- B Knop selectie temperatuurzone
- C Knop temperatuur omlaag
- D Selectie variabele temp
- E Knop Vergrendelen/ontgrendelen

## Gebruiksaanwijzing

### Weergavescherm

- Wanneer de koelkast wordt ingeschakeld, licht het weergavescherm 3 seconden lang op. Tegelijkertijd hoort u de opstartbel en vervolgens gaat het scherm in normale weergave van de werking.
- De eerste keer dat de koelkast wordt gebruikt, bedraagt de standaard ingestelde temperatuur van de koelruimte en de diepvriesruimte respectievelijk 4°C/-18°C.
- Wanneer er een fout optreedt, verschijnt op het weergavescherm de foutcode (zie volgende pagina); wanneer het toestel normaal werkt, verschijnt op het weergavescherm de ingestelde temperatuur van de koelruimte of de diepvriesruimte.
- In normale omstandigheden wordt het weergavescherm vergrendeld en verdwijnt de status  wanneer het paneel van het weergavescherm niet wordt bediend of de deur niet binnen 30 seconden wordt geopend.

### Vergrendelen/ontgrendelen

- Wanneer de deur ontgrendeld is **3SEC.-UNLOCK**, dient u gedurende 3 seconden op de vergrendelingsknop te drukken. De deur wordt vergrendeld. Het logo gaat uit en u hoort de zoemer. Dit betekent dat het weergavescherm vergrendeld is. De knoppen kunnen dan niet bediend worden.
- Wanneer de deur vergrendeld is **3SEC.-UNLOCK**, dient u gedurende 3 seconden op de ontgrendelingsknop te drukken. De deur wordt ontgrendeld. Het logo gaat aan en u hoort de zoemer. Dit betekent dat het weergavescherm ontgrendeld is. De knoppen kunnen dan bediend worden.

### Temperatuurinstelling van de koelruimte

- Druk op de knop voor selectie van de temperatuurzone. Kies voor instelling temperatuurzone of koelruimte en druk dan op  $\wedge$  of  $\vee$  om de ingestelde temperatuur van de koelruimte aan te passen. Het bereik voor de temperatuurinstelling van de koelruimte is 2-8°C.

Thermostaatinstelling voor ambient T ° C : NORMAAL  $\approx +24^{\circ}\text{C}$  ( $\pm 4^{\circ}\text{C}$ ) : 3°C

Thermostaatinstelling voor ambient T ° C : KOUD  $\approx +16^{\circ}\text{C}$  ( $\pm 4^{\circ}\text{C}$ ) : 3°C

Thermostaatinstelling voor ambient T ° C : HEET  $\approx +32^{\circ}\text{C}$  ( $\pm 4^{\circ}\text{C}$ ) : 3°

### Temperatuurinstelling van de diepvriesruimte

- Druk op de knop voor selectie van de temperatuurzone. Kies voor instelling temperatuurzone of diepvriesruimte en druk dan op  $\wedge$  of  $\vee$  om de ingestelde temperatuur van de diepvriesruimte aan te passen. Het bereik voor de temperatuurinstelling van de diepvriesruimte is -24°C ~ -16°C.

Thermostaatinstelling voor ambient T ° C : NORMAAL  $\approx +24^{\circ}\text{C}$  ( $\pm 4^{\circ}\text{C}$ ) : -19°C

Thermostaatinstelling voor ambient T ° C : KOUD  $\approx +16^{\circ}\text{C}$  ( $\pm 4^{\circ}\text{C}$ ) : -19°C

Thermostaatinstelling voor ambient T ° C : HEET  $\approx +32^{\circ}\text{C}$  ( $\pm 4^{\circ}\text{C}$ ) : -19°C

### Temperatuurinstelling van de ruimte met variabele temperatuur

- Druk op de knop variabele temperatuur **VARIO TEMP** om de ingestelde temperatuur van de ruimte aan te passen. Het bereik is bedoeld voor fruit/groenten, dranken en gekoeld.

### Instellingsmodus

- Modus Sterk koelen: Druk nadat de temperatuur van de koelruimte op 2°C gezet is op de knop voor temperatuur omlaag  $\vee$  om op de modus Sterk koelen over te schakelen. In modus Sterk koelen wordt de temperatuur automatisch ingesteld op 2°C.

- Modus Sterk koelen verlaten: Druk op de knop temperatuur omhoog  $\wedge$  om de modus Sterk koelen te verlaten of verlaat de modus Sterk koelen automatisch na 6 uur.
- Nadat u de modus Sterk koelen verlaten heeft, wordt de temperatuur van de koelkast automatisch opnieuw ingesteld op de temperatuur die voor de modus Sterk koelen ingesteld werd.
- Modus Sterk invriezen instellen: Druk nadat de temperatuur van de koelruimte op  $-24^{\circ}\text{C}$  gezet is op de knop voor temperatuur omlaag  $\wedge$  om op de modus Sterk invriezen over te schakelen. In de modus Sterk invriezen wordt de temperatuur automatisch ingesteld op  $-24^{\circ}\text{C}$
- Modus Sterk invriezen verlaten: Druk op de knop temperatuur omhoog  $\wedge$  om de modus Sterk invriezen te verlaten of verlaat de modus Sterk invriezen automatisch na 43 uur. Nadat u de modus Sterk invriezen verlaten heeft, wordt de temperatuur van de koelkast automatisch opnieuw ingesteld op de temperatuur die voor de modus Sterk invriezen ingesteld werd.

**Overeenkomstig IEC62552:2007 wordt de test als volgt uitgevoerd: Start op voorhand de modus Sterk invriezen en wacht tot de koelkast na 18 uur automatisch begint te ontdooien en breng dan de lading van de diepvriezer aan. De maximum ontdooitijd is 96 uur en de minimum is 12 uur op  $32^{\circ}\text{C}$ . Stel de variabele temperatuur op Fruit/groenten in wanneer u verbruikstesten uitvoert.**

**Aanbevolen instelling: Koelruimte  $4^{\circ}\text{C}$ , diepvriesruimte  $-18^{\circ}\text{C}$ .**

## OPMERKING

De snelinvriesfunctie is speciaal ontwikkeld om de voedingswaarde van de voeding in de diepvriezer te behouden. Hiermee kan de voeding in de kortst mogelijk tijd worden ingevroren. Wanneer op hetzelfde moment een grote hoeveelheid voeding wordt ingevroren, is het aanbevolen dat de gebruiker de snelinvriesfunctie aanzet en de voeding in de diepvriezer plaatst. Op dat moment wordt de invriessnelheid van het diepvriescompartiment verhoogd, waardoor de voeding snel kan worden ingevroren, de voedingswaarde van de voeding effectief kan worden behouden en het opslaan wordt vergemakkelijkt.

### Sabbat-modus

Ontgrendel de koelkast en druk op  $\vee$  en de vergrendelknop tegelijkertijd gedurende 4 seconden om de koelkast in Sabbath-modus te zetten. Druk op gelijk welke knop om de modus te verlaten. Deze modus houdt het volgende in:

- Het weergavescherm en de lampjes blijven uit; het alarm gaat niet af.
- De koelkast koelt normaal.
- Gedurende 5 minuten verandert de status van de compressor en de ventilatiemotor niet wanneer u de deur opent.

### Bewaring bij stroomonderbreking

In geval van een stroomonderbreking wordt de geactiveerde toestand onmiddellijk vergrendeld en behouden tot de stroomvoorziening is hersteld.

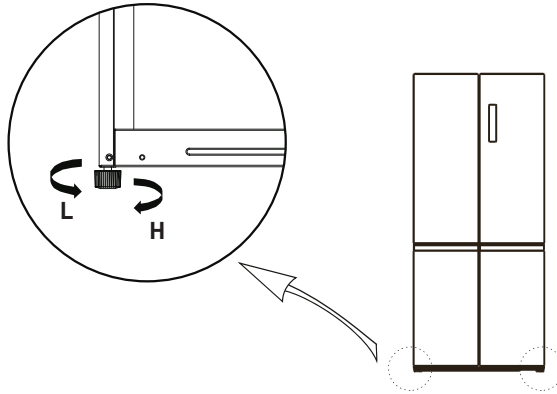
### Foutweergave

De volgende waarschuwingen verschijnen op het weergavescherm en geven aan over welke fouten het gaat. Hoewel de koelkast nog steeds dezelfde koelopslagfunctie kan hebben met de volgende fouten, dient de gebruiker contact op te nemen met een onderhoudsspecialist om de optimale werking van het toestel te waarborgen.

<b>Foutcode</b>	<b>Foutomschrijving</b>
<b>E1</b>	<b>Temperatuursensor van de koelruimte defect</b>
<b>E2</b>	<b>Temperatuursensor van de diepvriesruimte defect</b>
<b>E3</b>	<b>Temperatuursensor van de ruimte met variabele temperatuur defect</b>
<b>E4</b>	<b>Ontdooisensor in de koelruimte defect</b>
<b>E5</b>	<b>Fout in de opsporingskring van de sensor vriezen en ontdooien</b>
<b>E6</b>	<b>Communicatiefout</b>
<b>E7</b>	<b>Fout in de circulatie van de opsporingskring</b>
<b>EH</b>	<b>Vochtsensor defect</b>

### Verstelbare voetjes

Schematisch diagram van de verstelbare voetjes.




#### Hoe aanpassen

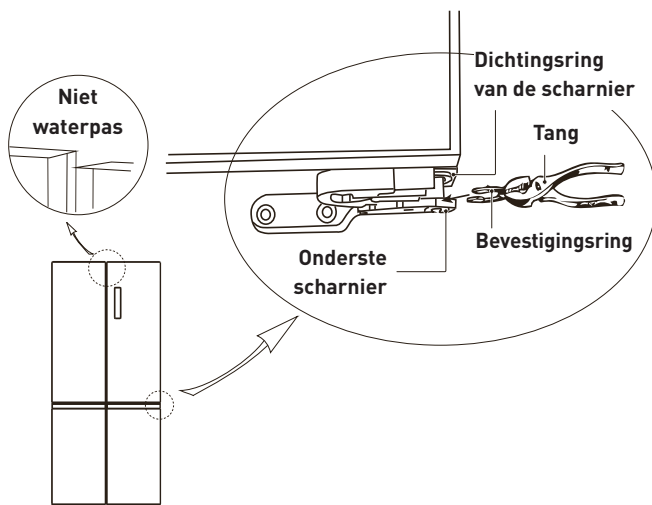
1. Draai de voetjes met de klok mee om de koelkast te verhogen;
2. Draai de voetjes tegen de klok in om de koelkast te verlagen;
3. Pas de rechter- en linkervoet op basis van de bovenstaande procedures aan tot het toestel horizontaal staat.

**Bovenstaande afbeelding is enkel ter referentie. De eigenlijke configuratie is afhankelijk van het product of de verklaring van de verdeler.**

### De deur waterpas zetten

Schematisch diagram voor het waterpas zetten van de deur.

Lijst met gereedschap dat door de gebruiker voorzien dient te worden	
	Tang



- Til de onderste deur op tot het niveau van de bovenste deur.
- Plaats de meegeleverde sluitring met de tang in de gleuf tussen de scharnierafdichting en de onderste scharnier. Het aantal sluitringen dat u moet invoegen hangt af van de gleuf.

**Bovenstaande afbeelding is enkel ter referentie. De eigenlijke configuratie is afhankelijk van het product of de verklaring van de verdeler.**



## Reiniging en onderhoud

### Globale reiniging

- Stof achter de koelkast en op de grond moet tijdig worden verwijderd om het koeleffect te verbeteren en energie te besparen.
- Controleer regelmatig de pakking van de deur om er zeker van te zijn dat er geen vuil aanwezig is. Reinig de pakking van de deur met een zachte doek die vochtig is gemaakt met zeepsop of met verdund reinigingsmiddel.
- De binnenkant van de koelkast moet regelmatig worden gereinigd om geurtjes te vermijden.
- Schakel het toestel uit en verwijder alle voedingswaren, dranken, legplanken, lades, enz. vooraleer u de binnenkant reinigt.
- Gebruik een zachte doek of spons met twee eetlepels zuiveringszout en een liter warm water om de binnenkant van de koelkast te reinigen. Spoel vervolgens met water en wrijf proper. Open na het reinigen de deur en laat op natuurlijke wijze drogen voor u het toestel opnieuw inschakelt.
- Voor zones in de koelkast die moeilijk te reinigen zijn (zoals smalle gleuven, kloven of hoeken) is het aanbevolen om ze regelmatig af te wrijven met een zachte vod, een zachte borstel enz., indien nodig gecombineerd met enkele hulpinstrumenten (zoals dunne stokjes), om ervoor te zorgen dat er zich geen vuil of bacteriën in deze zones ophoopt.

- Gebruik geen zeep, schoonmaakmiddel, schuurpoeder, spray enz. omdat ze geurtjes binnen in de koelkast kunnen veroorzaken of ervoor kunnen zorgen dat voeding bederft.
- Reinig het deurrekken, de legplanken en de lades met een zachte doek bevochtigd met zeepsop of verdund reinigingsmiddel. Droog af met een zachte doek of laat op natuurlijke wijze drogen.
- Wrijf het buitenoppervlak van de koelkast af met een zachte doek bevochtigd met zeepsop, reinigingsmiddel, enz. en wrijf vervolgens droog.
- Gebruik geen harde borstels, schuursponsjes, draadborstels, schuurmiddelen (zoals tandpasta), organische oplosmiddelen (zoals alcohol, aceton, bananenolie, enzovoort), kokend water, zuur of alkaline die het oppervlak van de koelkast en de binnenkant kunnen beschadigen. Kokend water of organische oplosmiddelen, zoals benzeen, kunnen kunststof onderdelen vervormen of beschadigen.
- Spoel niet rechtstreeks af met water of andere vloeistoffen tijdens het reinigen om kortsluitingen te vermijden of de elektrische isolatie te beschadigen door onderdompeling.

### **WAARSCHUWING**

Trek de stekker uit het stopcontact voor u de koelkast ontdooit of reinigt.

## Ontdooien

- De koelkast is vervaardigd op basis van het luchtkoelingsprincipe en is bijgevolg voorzien van een automatische ontdooifunctie. Rijp die zich heeft gevormd als gevolg van een verandering van seizoen of temperatuur kan ook manueel worden verwijderd door de stekker van het toestel uit het stopcontact te trekken of door het af te wrijven met een droge handdoek.

## Het toestel werkt niet

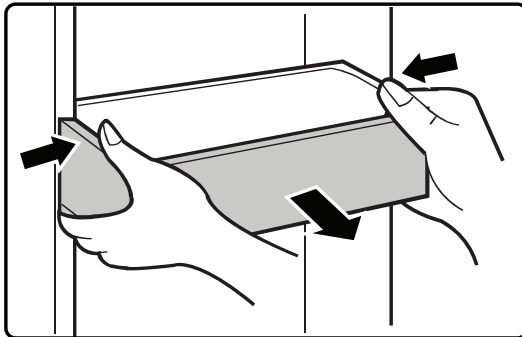
- Stroompanne: In geval van stroompanne, zelfs in de zomer, kan voeding in het toestel nog verschillende uren lang worden bewaard; tijdens de stroompanne moet het aantal keren dat de deur wordt geopend, worden verminderd en mag geen verse voeding in het toestel worden geplaatst.
- Het toestel wordt lange tijd niet gebruikt: De stekker van het toestel moet uit het stopcontact worden gehaald en vervolgens moet het toestel worden gereinigd; Laat de deuren open staan om geurtjes te voorkomen.
- Het toestel verplaatsen: Haal alle voorwerpen uit de koelkast, bevestig de glazen tussenschotten, de groentelade, de lades in de diepvriesruimte enzovoort met kleefband en draai de verstelbare voetjes vast voor u de koelkast verplaatst; sluit de deuren en verzegel ze met kleefband. Tijdens het verplaatsen mag het toestel niet onderste boven of horizontaal worden gelegd of mag het niet trillen; de hellingshoek tijdens het verplaatsen mag niet groter zijn dan 45°.

**WAARSCHUWING**

Het toestel moet blijven werken eenmaal het is ingeschakeld. Over het algemeen mag de werking van het toestel niet worden onderbroken; zo niet kan dit een negatieve invloed hebben op de levensduur.

**Reiniging van het deurvak**

- Gebruik afhankelijk van de richting van de pijl in onderstaande afbeelding beide handen om het vak in te drukken en til het naar boven. Nu kunt u het verwijderen.
- Na het verwijderen en afwassen van het vak kan u het op de hoogte plaatsen die u wenst.

**Hoe kan u voeding het best bewaren (enkel wanneer van toepassing op het model)**

Dek voeding af zodat ze niet uitdrogen en geen geuren van andere voedingsmiddelen kan absorberen. Een grote pot voeding zoals soep of een stoofpot moet in kleinere porties verdeeld worden en in ondiepe bakjes gedaan en dan gekoeld worden. Een groot stuk vlees of een volledig gevogelte moet

in kleinere porties verdeeld worden of in ondiepe bakjes geplaatst en dan gekoeld worden.

## Plaatsing van de voedingsmiddelen

<b>Platen</b>	De platen kunnen aangepast worden in functie van de verschillende verpakkingen.
<b>Speciaal vak (enkel indien van toepassing op het model)</b>	De afgesloten groentelade is ideaal om fruit en groenten te bewaren. Groenten vragen meer vochtigheid dan fruit. De groentelade is uitgerust met controleapparaten om het vochtigheidsniveau te controleren (*afhankelijk van het model en de opties). Een lade voor vlees met aanpasbare temperatuur zorgt dat vlees en kaas in optimale omstandigheden bewaard kunnen worden.
<b>Bewaarruimte in de deur</b>	Bewaar geen bederfelijk voedsel in de deur. Eieren moeten in het karton op een plaat bewaard worden. De temperatuur fluctueert meer in de deurrekken dan in de rest van het toestel. Houd de deur zoveel mogelijk dicht.
<b>Diepvriesvak</b>	In het diepvriesvak kan u ingevroren voeding bewaren, ijsblokjes maken en verse voeding invriezen.

### OPMERKING

Vries enkel vers voedsel in dat niet beschadigd is. Bewaar voeding die nog ingevroren moet worden apart van reeds ingevroren voeding. Plaats voedsel in luchtdichte doosjes om te vermijden dat het zijn smaak verliest of uitdroogt.

## Bewaarkaart koelkast en diepvriezer

Hoe lang voedingsmiddelen vers blijven hangt af van de temperatuur en blootstelling aan vochtigheid.

Aangezien de data op producten geen goede gids zijn voor de veilige consumptie van een product, kan u deze kaart raadplegen en deze raadgevingen opvolgen.

Product	Koelkast	Diepvriezer
<b>Melkproducten</b>		
Melk	1 week	1 maand
Boter	2 weken	12 maanden
IJs	-	2-3 weken
Natuurlijke kaas	1 maand	4-6 maanden
Roomkaas	2 weken	Niet aanbevolen
Yoghurt	1 maand	-
<b>Vlees</b>		
Vers gebrad vlees, steaks, koteletten	3-4 dagen	2-3 maanden
Vers gehakt, stoofvlees	1-2 dagen	3-4 maanden
Spek	7 dagen	1 maand
Rauwe worst van varkensvlees, rundvlees, kalkoenvlees	1-2 dagen	1-2 maanden
<b>Gevogelte / eieren</b>		
Vers gevogelte	2 dagen	6-8 maanden
Salade van gevogelte	1 dag	-
Eieren, vers in de schaal	2-4 weken	Niet aanbevolen
<b>Vis / zeevruchten</b>		
Verse vis	1-2 dagen	3-6 maanden
Gekookte vis	3-4 dagen	1 maand
Vissalade	1 dag	Niet aanbevolen
Gedroogde of gepekeld vis	3-4 weken	-

Product	Koelkast	Diepvriezer
<b>Fruit</b>		
<b>Appels</b>	1 maand	-
<b>Perziken</b>	2-3 weken	-
<b>Ananas</b>	1 week	-
<b>Ander vers fruit</b>	3-5 dagen	9-12 maanden
<b>Groenten</b>		
<b>Asperges</b>	2-3 dagen	-
<b>Broccoli, spruitjes, groene erwtjes, champignons</b>	3-5 dagen	-
<b>Kool, bloemkool, selder, komkommer, sla</b>	1 week	-
<b>Wortels, bieten, radijsjes</b>	2 weken	-

## Probleemoplossing

De volgende eenvoudige problemen kunnen door de gebruiker opgelost worden. Neem contact op met de dienst na verkoop indien de problemen niet opgelost zijn.

Probleem	Oplossing
<b>Toestel werkt niet</b>	Controleer of het toestel ingeschakeld is en of de stekker goed in het stopcontact zit. Controleer of het voltage niet te laag is. Controleer of er geen stroomonderbreking is en of de stroom niet door een circuit uitgeschakeld werd.
<b>Geurtjes</b>	Sterk geurende voeding moet goed worden ingepakt. Controleer of er geen rottende voeding aanwezig is. Reinig de binnenkant van de koelkast.
<b>De compressor werkt lang</b>	Het is normaal dat de compressor lang werkt in de zomer. De omgevingstemperatuur is dan hoog. Het wordt dan aanbevolen om niet te veel voeding op hetzelfde moment in de koelkast te bewaren. Voeding moet afgekoeld worden alvorens ze in het toestel wordt geplaatst. De deuren worden te vaak geopend.
<b>Het lampje brandt niet De zijpanelen zijn warm.</b>	Controleer of de stekker van de koelkast in het stopcontact zit en of het lampje niet beschadigd is. Laat het lampje vervangen door een specialist.
<b>De deur sluit niet goed</b>	Er zitten verpakkingen van voeding tussen de deur. Er werd te veel voeding in de koelkast geplaatst. De koelkast staat niet recht.
<b>Luide geluiden</b>	Controleer of de vloer vlak is en of de koelkast stabiel staat. Controleer of de accessoires op de juiste plaats zijn geïnstalleerd.
<b>De deur sluit niet volledig</b>	Verwijder vreemde voorwerpen van de deurdichting. Verwarm de deurdichting en laat ze vervolgens afkoelen om zich te herstellen (of blaas erop met een haardroger of gebruik een warme handdoek om ze te verwarmen).



Probleem	Oplossing
<b>De wateropvang stroomt over</b>	<p>Er zit te veel voeding in de koelruimte of de opgeslagen voeding bevat te veel water waardoor het toestel sterk moet ontdooien.</p> <p>De deuren zijn niet goed gesloten, waardoor rijp ontstaat als gevolg van de instroom van lucht en er meer water is als gevolg van het ontdooien.</p>
<b>De behuizing is warm</b>	<p>Via de behuizing ontsnapt er warmte die opgebouwd wordt in de condensator, wat normaal is.</p> <p>Wanneer de behuizing heet wordt omdat de omgevingstemperatuur hoog is, er te veel voeding bewaard wordt of de compressor uitgeschakeld werd, dient u ervoor te zorgen dat er voldoende ventilatie is om de hitte sneller te laten verdwijnen.</p>
<b>Condensvorming op het oppervlak</b>	<p>Condensvorming op het buitenoppervlak en deurdichtingen van de koelkast is normaal wanneer de vochtigheid in de omgeving te hoog is. Wrijf gewoon het condens weg met een propere handdoek.</p>
<b>Abnormaal lawaai</b>	<p>Gezoem: De compressor kan tijdens de werking zoemen en het gezoem is luid vooral bij het starten en het stoppen. Dit is normaal.</p> <p>Gekraak: De koelvloeistof die in het toestel stroomt, kan gekraak produceren, wat normaal is.</p>



# ¡Gracias!

Gracias por elegir este producto VALBERG. Seleccionados, probados y recomendados por ELECTRO DEPOT, los productos de la marca VALBERG son fáciles de usar, fiables y de un acabado impecable. Gracias a este aparato, puede estar seguro de que cada uso le proporcionará satisfacción.

Bienvenido a ELECTRO DEPOT.

Visite nuestra página web: [www.electrodepot.es](http://www.electrodepot.es)

**A** Descripción del aparato

Descripción del aparato

---

**B** Utilización del aparato

Uso del frigorífico

---

**C** Información práctica

Limpieza y mantenimiento  
Resolución de problemas

## Descripción del aparato

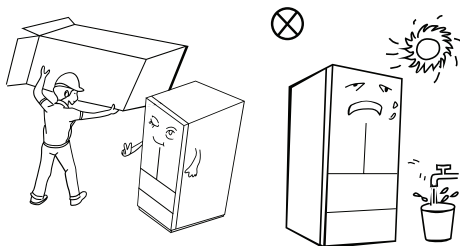
- 1 Iluminación LED
- 2 Bandeja de la puerta
- 3 Cajón grande
- 4 Cajón superior
- 5 Cajón intermedio
- 6 Cajón inferior
- 7 Bandeja

La imagen es solo para referencia. La configuración real dependerá del producto físico o de la declaración del distribuidor

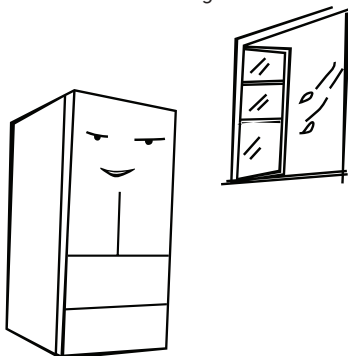
## Uso del frigorífico

### Colocación

- Antes de usar el aparato, retire todo el material de embalaje, incluidos los amortiguadores de la parte inferior, las almohadillas de espuma y las cintas del interior del frigorífico; retire la película de protección de las puertas y del cuerpo del frigorífico.

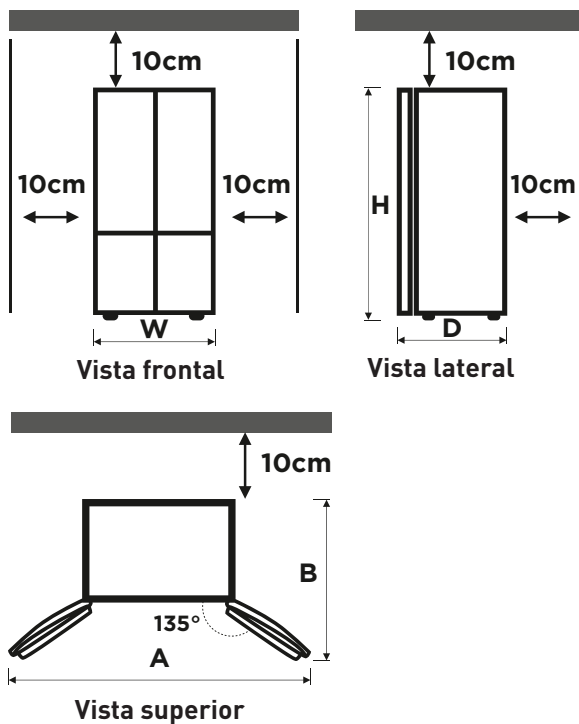


- Mantenga el aparato alejado del calor y evite la luz directa del sol. No coloque el congelador en un lugar húmedo o con agua, para prevenir la formación de óxido o que se reduzca el efecto aislante.
- No rocíe con agua ni lave el frigorífico; no coloque el frigorífico en lugares húmedos en los que pueda haber salpicaduras de agua, con el fin de que no se vean afectadas las propiedades de aislamiento eléctrico del frigorífico.



- El espacio superior del frigorífico debe ser superior a 10 cm y el frigorífico debe quedar colocado contra una pared, con una separación de más de 10 cm, para facilitar la disipación del calor.

Deje suficiente espacio para poder abrir cómodamente las puertas y los cajones, o según lo indique el distribuidor.



Ancho «a»	833 mm
Profundidad «P» (sin tirador)	653 mm
Altura «A»	1775 mm
A	1400 mm
B	1000 mm

Las medidas de la tabla anterior pueden diferir, según el método de medición.

**NOTA**

Este frigorífico debe instalarse de forma independiente y no puede utilizarse como aparato empotrado. De lo contrario, causará problemas como fallos al instalarlo en el armario, el rendimiento y la vida del aparato se reducirán. Y el fabricante no proporcionará la garantía básica del aparato.

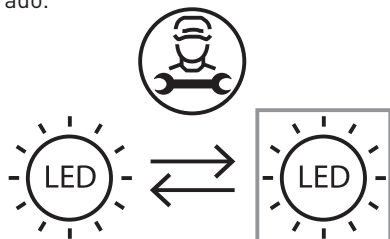
**Sugerencias para ahorrar energía**

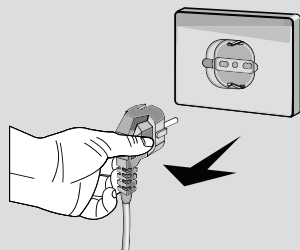
- El aparato se debe colocar en la zona más fresca de la habitación, lejos de otros aparatos que generen calor y de conductos de calefacción, y alejado de la luz directa del sol.
- Los alimentos calientes se deben enfriar hasta alcanzar la temperatura ambiente antes de introducirlos en el aparato. Si sobrecarga el aparato, el compresor tendrá que funcionar durante más tiempo. Los alimentos que se congelan demasiado lentamente podrían perder calidad o estropearse.
- Asegúrese de envolver los alimentos correctamente y seque bien los recipientes antes de introducirlos en el aparato. Así reducirá la acumulación de escarcha en el interior del aparato.
- El cajón de almacenamiento del aparato no se debe cubrir con papel de aluminio, papel encerado ni servilletas de papel. Los recubrimientos interfieren en la circulación del aire, lo que reduce la eficiencia del aparato.
- Organice y etiquete los alimentos para reducir las aperturas de la puerta y tener que pasar demasiado tiempo buscándolos. Retire todos los artículos que necesite de una vez y cierre la puerta lo antes posible.



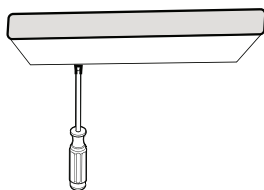
**Cambiar la luz**

- Este producto contiene una fuente de luz de clase de eficiencia energética G.
- La fuente de luz de este producto solo puede ser reemplazada por profesionales calificados.
- Póngase en contacto con el servicio posventa si falla la fuente de luz.
- La fuente de luz se retirará al final de la vida útil del producto para efectuar la clasificación y el reciclaje por separado.

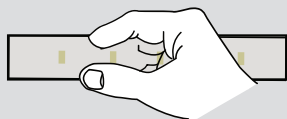




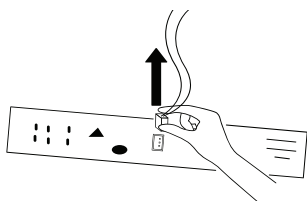
1. Tire del enchufe antes de retirarlo.



2. Retire la pantalla de la lámpara con un destornillador.



3. Retire el panel de la lámpara.



4. Retire el terminal de conexión.

### Empezar a usar el aparato

- Antes de utilizar el aparato por primera vez, no mueva el frigorífico durante dos horas antes de conectarlo a la fuente de alimentación.
- Antes de colocar cualquier alimento fresco o congelado, el frigorífico debe funcionar durante 2 - 3 horas, o durante más de 4 horas en verano cuando la temperatura ambiente sea alta.

**NOTA**

No se recomienda utilizar este aparato con enchufes o redes con la función A/GFCI, de lo contrario, causará falsos fallos.

1. No supone ningún riesgo de seguridad cuando falla.
2. Si el fallo persiste, se recomienda cambiar a enchufes o redes sin la función A/GFCI.

**Compartimento del frigorífico**

- El compartimento del frigorífico es adecuado para almacenar diversos tipos de fruta, verdura, bebidas y otros alimentos que se vayan a consumir a corto plazo; el tiempo de conservación recomendado es de 3 a 5 días.
- Los alimentos cocinados no se deben introducir en la cámara de refrigeración hasta que se hayan enfriado hasta alcanzar la temperatura ambiente.
- Se recomienda que los alimentos se envasen antes de introducirlos en el frigorífico.
- Las bandejas de cristal se pueden subir o bajar para conseguir suficiente espacio de almacenamiento y facilitar su uso.

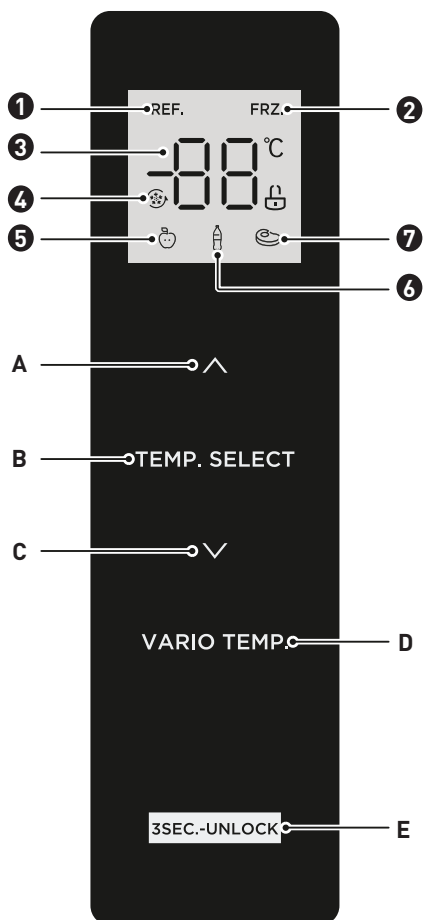
**Compartimento del congelador**

- El compartimento del congelador de baja temperatura puede mantener los alimentos frescos durante mucho tiempo y se utiliza principalmente para conservar alimentos congelados y elaborar hielo.
- El compartimento del congelador es adecuado para conservar carne, pescado, bolas de arroz y otros alimentos que no se vayan a consumir a corto plazo.
- Los trozos de carne deben dividirse en trozos pequeños preferiblemente. Tenga en cuenta que los alimentos se deben consumir antes de que caduquen.

La posición de los cajones, las cajas de alimentos, las bandejas, etc., que se presenta en la imagen es la más eficiente energéticamente.

**NOTA**


Si almacena demasiados alimentos después de la primera conexión a la corriente, el efecto de congelación del frigorífico se podría ver afectado. Los alimentos guardados no deben taponar la salida de aire; de lo contrario, el efecto de congelación también se verá afectado negativamente.

**Funciones**

- 1 Icono de refrigeración
  - 2 Icono del congelador
  - 3 Icono de temperatura
  - 4 Icono de superrefrigeración/congelación
  - 5 Icono de fruta/verdura
  - 6 Icono de bebida
  - 7 Icono de carne
- A Botón de aumento de temperatura
- B Botón de selección de zona de temperatura
- C Botón de descenso de temperatura
- D Selector de temperatura Vario
- E Botón de bloqueo/desbloqueo

## Instrucciones de funcionamiento

### Pantalla

- Cuando enchufe el frigorífico, la pantalla mostrará un total de 3 segundos. Mientras tanto, suena un pitido de inicio y luego la pantalla muestra la visualización normal de funcionamiento.
- La primera vez que se utiliza el frigorífico, la temperatura predeterminada de la cámara de refrigeración y la cámara de congelación es de 4 °C C/ -18 °C respectivamente.
- Cuando ocurre algún error, la pantalla muestra un código de error (consulte la página siguiente); durante el funcionamiento normal, la pantalla muestra la temperatura establecida de la cámara de refrigeración o cámara de congelación.
- En circunstancias normales, si no se realiza ninguna operación en el panel de visualización o no se abre la puerta durante 30 segundos, la pantalla se bloquea y el modo  se apaga.

### Bloqueo/desbloqueo

- En el estado desbloqueado, mantenga pulsado el botón de bloqueo **3SEC.-UNLOCK** durante 3 segundos, entre en el estado bloqueado, el logotipo se apaga y el zumbido suena, significa que la pantalla está bloqueada, en este momento no funciona ningún botón.
- En el estado bloqueado, mantenga pulsado el botón de bloqueo **3SEC.-UNLOCK** durante 3 segundos, entre en el estado desbloqueado, el logotipo se enciende y el zumbido suena, significa que la pantalla está desbloqueada, en este momento, se pueden utilizar los botones.

### Ajuste de la temperatura de la cámara de refrigeración

- Presione el botón de selección de zona de temperatura  $\prime$ , seleccione para elegir la zona de temperatura configurada de la cámara de refrigeración, y después presione  $\wedge$  o  $\vee$  para ajustar la temperatura configurada de la cámara de refrigeración. El rango de ajuste de temperatura para la cámara de refrigeración es de 2°C a 8°C.

Ajuste del termostato para T°C ambiente : NORMAL  $\approx$  +24°C (  $\pm$ 4°C ) : 3°C

Ajuste del termostato para T°C ambiente : FRIO  $\approx$  +16°C (  $\pm$  4°C ) : 3°C

Ajuste del termostato para T°C ambiente : CALIENTE  $\approx$  +32°C (  $\pm$  4°C ) : 3°C

### Ajuste de la temperatura del compartimento del congelador

- Presione el botón de selección de zona de temperatura, seleccione para elegir la zona de temperatura configurada de la cámara de congelación, y después presione  $\wedge$  o  $\vee$  para ajustar la temperatura configurada de la cámara de congelación. El rango de ajuste de temperatura para la cámara de refrigeración es de -24°C a -16°C.

Ajuste del termostato para T°C ambiente : NORMAL  $\approx$  +24°C (  $\pm$ 4°C ) : -19°C

Ajuste del termostato para T°C ambiente : FRIO  $\approx$  +16°C (  $\pm$  4°C ) : -19°C

Ajuste del termostato para T°C ambiente : CALIENTE  $\approx$  +32°C (  $\pm$  4°C ) : -19°C

### Ajuste de la temperatura variable del compartimento

- Presione el botón de temperatura variable **VARIO TEMP** para ajustar la temperatura configurada de la cámara, el rango de ajuste es Fruta/verdura, bebida y frío.

### Ajuste del modo

- Configurar el modo de superrefrigeración: Después de ajustar la temperatura de la cámara de refrigeración en 2°C, presione el botón de descenso de temperatura  $\vee$  para entrar en el modo de superrefrigeración. En el modo de superrefrigeración, la temperatura de la cámara de refrigeración se establece automáticamente en 2°C.

- Salir del modo de superrefrigeración: presione el botón de aumento de temperatura  $\wedge$  para salir del modo de superrefrigeración o salir automáticamente de modo de superrefrigeración después de 6 horas.
- Después de salir del modo de superrefrigeración, la temperatura del frigorífico volverá automáticamente a la temperatura establecida antes del modo de superrefrigeración.
- Configurar el modo de supercongelación: después de ajustar la temperatura de la cámara de congelación en  $-24^{\circ}\text{C}$ , presione el botón de descenso de temperatura  $\wedge$  para entrar en el modo de supercongelación. En el modo de supercongelación, la temperatura de la cámara de congelación se establece automáticamente en  $-24^{\circ}\text{C}$ .
- Salir del modo de supercongelación: presione el botón de aumento de temperatura  $\wedge$  para salir del modo de supercongelación o salir automáticamente del modo de supercongelación después de 43 horas. Después de salir del modo de supercongelación, la temperatura de la cámara de congelación volverá automáticamente a la temperatura establecida antes del modo de supercongelación.

**Según la IEC62552:2007, la condición de prueba es la siguiente: inicie el modo de supercongelación en primer lugar, y espere a que el frigorífico entre automáticamente en descongelación después de 18 horas, aplique después la carga del congelador. El tiempo máximo de descongelación es 96 horas y el mínimo es 12 horas a  $32^{\circ}\text{C}$ . Cuando se estén realizando las pruebas de consumo de energía, configure la temperatura vario en Fruta/verdura.**

**Configuración recomendada: Cámara de refrigeración  $4^{\circ}\text{C}$  cámara de congelación  $-18^{\circ}\text{C}$ .**

## NOTA

La función de congelación rápida está diseñada para mantener el valor nutricional de los alimentos en el congelador. Puede congelar la comida en el menor tiempo. Si se congela una gran cantidad de alimentos a la vez, se recomienda activar la función de congelación rápida e introducir los alimentos. En este momento, la velocidad de congelación del compartimento del congelador aumenta, lo que puede congelar rápidamente alimentos, bloquear eficazmente el valor nutricional de estos y facilitar el almacenamiento.

### Modo Sabbath

Desbloquee el frigorífico y después presione el  $\vee$  y el botón de bloqueo al mismo tiempo durante 4 segundos, para el modo Sabbath. Pulse cualquier botón para salir. Es este modo el estado del frigorífico:

- El panel de control de la pantalla y las luces permanecen apagadas, y sin alarma.
- El frigorífico enfría con normalidad.
- Con cinco minutos de puerta abierta, el estado del compresor y del motor del ventilador no cambia.

### Almacenamiento en caso de corte de energía

En caso de corte de energía, el estado de funcionamiento instantáneo se bloqueará y se mantendrá hasta que se restablezca la alimentación.

### Indicación de avería

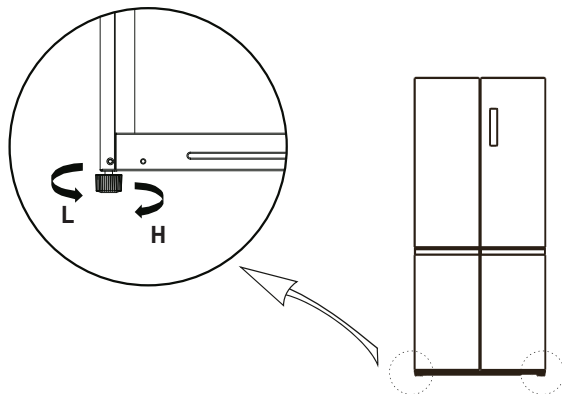
Las siguientes advertencias aparecerán en la pantalla para indicar las averías correspondientes del frigorífico. Aunque es posible que el frigorífico siga enfriando y congelando con las averías siguientes, el usuario debe contactar con un técnico de mantenimiento, de forma que se garantice el uso normal del frigorífico.

Código de avería	Descripción de la avería
<b>E1</b>	<b>Fallo del sensor de temperatura del compartimento del frigorífico</b>
<b>E2</b>	<b>Fallo del sensor de temperatura del compartimento del congelador</b>
<b>E3</b>	<b>Fallo del sensor de temperatura variable del compartimento</b>
<b>E4</b>	<b>Fallo del sensor de descongelación del compartimento del frigorífico</b>
<b>E5</b>	<b>Fallo del circuito de detección del sensor de descongelación del congelador</b>
<b>E6</b>	<b>Fallo de comunicación</b>
<b>E7</b>	<b>Fallo del circuito de detección de circulación de temperatura</b>
<b>EH</b>	<b>Fallo del sensor de humedad</b>



**Patas niveladoras**

Diagrama esquemático de las patas de nivelación.




Procedimientos de ajuste

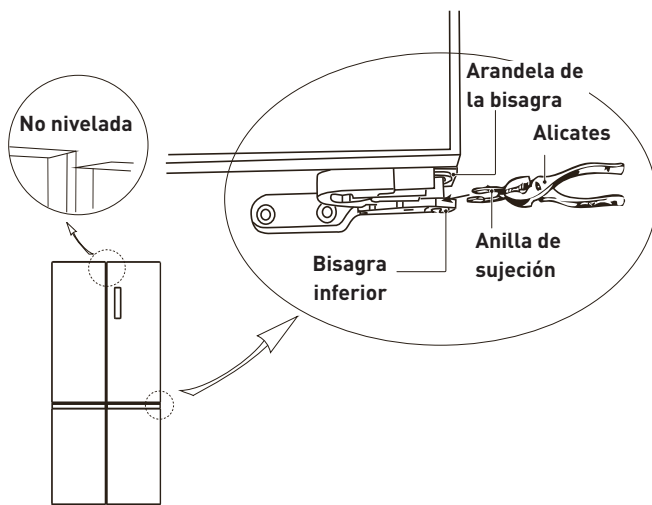
1. Gire las patas en sentido horario para levantar el refrigerífico.
2. Gire las patas en sentido antihorario para bajar el refrigerífico.
3. Ajuste las patas derecha e izquierda siguiendo los procedimientos mencionados, hasta que el aparato quede nivelado horizontalmente.

**La imagen anterior es solo para referencia. La configuración real dependerá del producto físico o de la declaración del distribuidor.**

### Nivelación de la puerta

Diagrama esquemático para la nivelación de la puerta.

Lista de herramientas necesarias	
	Alicate



- Levante la puerta inferior hasta el nivel de la puerta superior.
- Inserte el anillo de sujeción suministrado utilizando un alicate en el espacio entre la arandela de la bisagra y la bisagra inferior. La cantidad de anillos de sujeción que necesitará insertar depende del espacio que haya.

**La imagen anterior es solo para referencia. La configuración real dependerá del producto físico o de la declaración del distribuidor.**

## Limpieza y mantenimiento

### Limpieza general

- El polvo que se acumula detrás del frigorífico y en el suelo se debe limpiar periódicamente para mejorar el efecto de refrigeración y el ahorro energético.
- Compruebe la junta de la puerta periódicamente para asegurarse de que no haya restos. Limpie la junta de la puerta con un paño suave humedecido con agua y jabón o con un detergente diluido.
- El interior del frigorífico se debe limpiar periódicamente para evitar olores.
- Desconecte la corriente eléctrica antes de limpiar el interior y retire todos los alimentos, bebidas, bandejas, cajones, etc.
- Utilice un paño suave o una esponja para limpiar el interior del frigorífico con dos cucharadas de bicarbonato sódico y un litro de agua caliente. A continuación, enjuague con agua y frote para dejar limpio el aparato. Después de limpiar, abra la puerta y deje que se seque naturalmente antes de volver a conectar la corriente eléctrica.
- Para las zonas del frigorífico que resulte difícil limpiar (por ejemplo, rendijas estrechas, huecos o esquinas), se recomienda frotarlas periódicamente con un paño suave, un cepillo suave, etc., y si es necesario, usar otras herramientas auxiliares (por ejemplo, unos palillos) para asegurarse de que no se acumulen sustancias contaminantes o bacterias en esas zonas.

- No utilice jabón, detergentes, detergente en polvo, productos de limpieza con pulverizador, etc., ya que podrían generar olores en el interior del frigorífico o contaminar los alimentos.
- Limpie la bandeja de la puerta, los estantes y los cajones con un paño suave humedecido con agua con jabón o detergente diluido. Seque con un paño suave o deje que se sequen naturalmente.
- Frote la superficie exterior del frigorífico con un paño suave humedecido con agua con jabón, detergente, etc., y luego frote con un paño para secar.
- No utilice cepillos rígidos, estropajos de acero, cepillos metálicos, productos abrasivos (por ejemplo, pasta de dientes), disolventes orgánicos (por ejemplo, alcohol, acetona, aceite de plátano, etc.), agua hirviendo o sustancias ácidas o alcalinas, que puedan dañar la superficie del frigorífico y su interior. El agua hirviendo y los disolventes orgánicos, como el benceno, pueden deformar o dañar las piezas de plástico.
- No enjuague directamente con agua u otros líquidos cuando limpie, para evitar cortocircuitos o que se vea afectado el aislamiento eléctrico después de sumergirlo.

### **ADVERTENCIA**

Desenchufe el frigorífico para descongelar y limpiar.

## Descongelación

- El frigorífico funciona de acuerdo con el principio de refrigeración por aire y, por lo tanto, tiene una función de descongelación automática. La escarcha que se forma debido al cambio de estación o de temperatura también se puede eliminar desconectando el aparato de la corriente eléctrica o frotando con un paño seco.

## Funcionamiento incorrecto

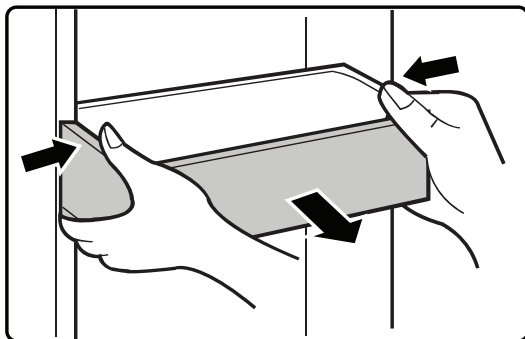
- Corte eléctrico: En caso de corte eléctrico, aunque sea verano, los alimentos que se encuentran dentro del aparato se pueden conservar durante varias horas. Durante el corte eléctrico se deben reducir las aperturas de la puerta y no se deben introducir más alimentos en el aparato.
- Si el aparato no se va a usar durante mucho tiempo: El aparato se debe desenchufar y luego limpiar; las puertas se deben dejar abiertas para evitar olores.
- Desplazamiento: Antes de mover el frigorífico, saque todos los objetos del interior, sujete con cinta adhesiva las bandejas de cristal, el cajón para las verduras, los cajones del congelador, etc., y apriete las patas de nivelación. Cierre las puertas y sujételas con cinta adhesiva. Al desplazar el aparato, no debe tumbarlo ni ponerlo al revés, ni debe provocar vibraciones. La inclinación durante el desplazamiento no debe superar los 45°.

**ADVERTENCIA**

El aparato debe funcionar de forma continua una vez se ponga en marcha. Por lo general, no se debe interrumpir el funcionamiento del aparato; de lo contrario, su vida útil podría reducirse.

**Limpieza de la bandeja de la puerta**

- Según la dirección de las flechas de la imagen, utilice ambas manos para presionar la bandeja mientras la empuja hacia arriba para poder sacarla.
- Después de haber lavado la bandeja, puede colocarla a la altura que desee según sus necesidades.



## Cómo almacenar para una mejor conservación (solo para modelos aplicables)

Tape los alimentos para mantener la humedad y evitar que cojan olores de otros alimentos. Una olla grande de comida como sopa o estofado debe dividirse en pequeñas porciones y colocarse en recipientes poco profundos antes de ser refrigerada. Un filete de carne grande o ave entera debe dividirse en trozos pequeños o colocarse en recipientes poco profundos antes de ser refrigerado.

## Colocación de los alimentos

<b>Estantes</b>	Los estantes son ajustables para adaptarse a todo tipo de envases.
<b>Compartimento especializado (solo modelos aplicables)</b>	Los cajones para verduras sellados proporcionan un ambiente de conservación óptimo para frutas y verduras. Las verduras necesitan mayor humedad, mientras que la fruta necesita menos humedad. Los cajones para verduras cuentan con dispositivos de control para controlar el nivel de humedad. (*Según el modelo y opciones) Un cajón para carne con temperatura ajustable aumenta el tiempo de conservación de carnes y quesos.
<b>Almacenamiento en la puerta</b>	No almacene alimentos perecederos en la puerta. Los huevos deben guardarse en la caja en un estante. La temperatura de los cajones de almacenamiento de la puerta fluctúa más que la temperatura del aparato. Mantenga la puerta cerrada el máximo tiempo posible.
<b>Compartimento del congelador</b>	Puede conservar alimentos congelados, hacer cubitos de hielo y congelar alimentos frescos en el compartimento del congelador.

**NOTA**

Congelar solo alimentos en buen estado. Mantenga los alimentos que se van a congelar alejados de los alimentos que ya están congelados. Para evitar que los alimentos pierdan su sabor o se resequen, colóquelos en recipientes herméticos.

**Tabla de conservación del frigorífico y congelador**

La longevidad de la frescura depende de la temperatura y exposición a la humedad.

Debido a que las fechas del producto no son una guía para el uso seguro de un producto, consulte esta tabla y siga los siguientes consejos.

Producto	Frigorífico	Congelador
<b>Productos lácteos</b>		
Leche	1 semana	1 mes
Mantequilla	2 semanas	12 meses
Helado	-	2-3 semanas
Queso natural	1 mes	4-6 meses
Queso de untar	2 semanas	No recomendado
Yogur	1 mes	-
<b>Carne</b>		
Chuletas y filetes asados frescos	3-4 días	2-3 meses
Carne picada, carne estofada fresca	1-2 días	3-4 meses
Beicon	7 días	1 mes
Salchichas, cerdo, ternera, pavo crudo	1-2 días	1-2 meses



Producto	Frigorífico	Congelador
<b>Aves / Huevos</b>		
<b>Aves frescas</b>	2 días	6-8 meses
<b>Ensalada de ave</b>	1 día	-
<b>Huevos, frescos con cáscara</b>	2-4 semanas	No recomendado
<b>Pescado / Marisco</b>		
<b>Pescado fresco</b>	1-2 días	3-6 meses
<b>Pescado cocinado</b>	3-4 días	1 mes
<b>Ensalada de pescado</b>	1 día	No recomendado
<b>Pescado seco o en escabeche</b>	3-4 semanas	-
<b>Fruta</b>		
<b>Manzanas</b>	1 mes	-
<b>Melocotones</b>	2-3 semanas	-
<b>Piña</b>	1 semana	-
<b>Otra fruta fresca</b>	3-5 días	9-12 meses
<b>Verduras</b>		
<b>Espárragos</b>	2-3 días	-
<b>Brócoli, coles de Bruselas, guisantes verdes, champiñones</b>	3-5 días	-
<b>Col, coliflor, apio, pepinos, lechuga</b>	1 semana	-
<b>Zanahorias, remolacha, rábanos</b>	2 semanas	-

## Resolución de problemas

Los siguientes problemas sencillos pueden ser solucionados por el usuario. Llame al servicio posventa si los problemas no se resuelven.

Problemas	Solución
<b>Fallo de funcionamiento</b>	<p>Compruebe si el aparato está conectado a la corriente eléctrica o si el enchufe está bien introducido en la toma.</p> <p>Compruebe si el voltaje es demasiado bajo.</p> <p>Compruebe si se ha producido un corte eléctrico o si se han disparado circuitos parciales.</p>
<b>Olores</b>	<p>Los alimentos que huelen mucho se deben envolver bien.</p> <p>Compruebe si hay otros alimentos que se hayan estropeado.</p> <p>Limpie el interior del frigorífico.</p>
<b>Funcionamiento prolongado del compresor</b>	<p>Es normal el funcionamiento durante mucho tiempo del frigorífico en verano.</p> <p>Le recomendamos que no guarde demasiados alimentos en el aparato al mismo tiempo cuando la temperatura ambiente es alta.</p> <p>Los alimentos deben enfriarse antes de introducirlos en el aparato.</p> <p>Las puertas se abren con demasiada frecuencia.</p>
<b>La luz no se enciende Los paneles laterales están calientes.</b>	<p>Compruebe si el frigorífico está conectado a la corriente eléctrica y si la luz está dañada.</p> <p>Contacte con un especialista para que cambie la bombilla.</p>
<b>La puerta no se puede cerrar correctamente</b>	<p>La puerta no se cierra debido a los envases de alimentos. Se ha introducido demasiada comida.</p> <p>El frigorífico está inclinado.</p>
<b>Ruidos fuertes</b>	<p>Compruebe si el suelo está nivelado y si el frigorífico está estable.</p> <p>Compruebe si los accesorios se encuentran en el lugar correcto.</p>
<b>La junta de la puerta no queda hermética</b>	<p>Retire los materiales extraños de la junta de la puerta.</p> <p>Caliente la junta de la puerta y luego deje que se enfríe para restaurarla (también puede secarla con un secador eléctrico o calentarla con un paño caliente).</p>

Problemas	Solución
<b>La bandeja de agua se desborda</b>	<p>Hay demasiados alimentos en el aparato o los alimentos guardados contienen demasiada agua, lo que provoca descongelación.</p> <p>Las puertas no están bien cerradas, lo que genera escarcha debido a la entrada de aire y un aumento de agua debido a la descongelación.</p>
<b>Carcasa caliente</b>	<p>El calor del condensador integrado se disipa a través de la carcasa; esto es normal.</p> <p>Cuando la carcasa se calienta porque la temperatura ambiente es alta, ha introducido demasiada comida o se apaga el compresor, proporcione una buena ventilación para facilitar la disipación del calor</p>
<b>Condensación en la superficie</b>	<p>La condensación en la superficie exterior y en las juntas de la puerta del frigorífico es normal cuando hay mucha humedad ambiente. Solo tiene que pasar un paño limpio para retirar la condensación.</p>
<b>Ruido anormal</b>	<p>Zumbido: El compresor podría emitir un zumbido cuando está funcionando. Ese zumbido puede ser muy fuerte al poner en marcha o detener el aparato. Esto es normal.</p> <p>Crujidos: El refrigerante que fluye por el interior del aparato podría generar crujidos. Esto es normal.</p>

