

WARRANTY CONDITION

EN

This product has a 2-year warranty as of the date of purchase*, covering any fault resulting from a manufacturing or material defect. This warranty does not cover defects or damage resulting from incorrect installation, improper use or abnormal wear of the appliance.

*upon presentation of the sales receipt.

CONDITION DE GARANTIE

FR

Ce produit est garanti pour une période de 2 ans à partir de la date d'achat*, contre toute défaillance résultant d'un vice de fabrication ou de matériau. Cette garantie ne couvre pas les vices ou les dommages résultant d'une mauvaise installation, d'une utilisation incorrecte ou de l'usure anormale du produit.

*sur présentation du ticket de caisse.

GARANTIEVOORWAARDEN

NL

Dit product wordt gegarandeerd voor een periode van 2 jaar vanaf de aankoopdatum*, voor elke storing die het gevolg is van een fabricagefout of het materiaal. Gebreken of schade door slechte installatie, onjuist gebruik of abnormale slijtage van het product worden niet gedekt door deze garantie.

*op vertoon van kassabon.

CONDICIONES DE GARANTÍA

ES

El certificado de garantía de este producto tiene una duración de 3 años a partir de la fecha de compra* que se limita a los defectos de fabricación y averías del material. Se excluyen de la garantía deficiencias o daños originados por una mala instalación, errores en la manipulación o por un uso inadecuado.

*previa presentación del comprobante de compra.

MADE IN PRC

ELECTRO DEPOT

1 route de Vendeville

59155 FACHES-THUMESNIL

FRANCE



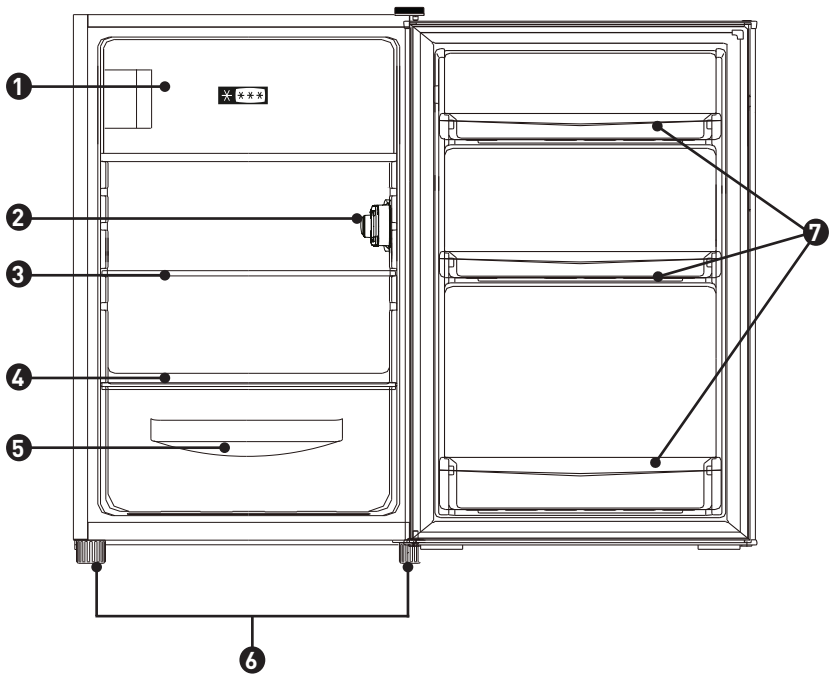
Larder
Réfrigérateur compact
Provisiekast
Frigorífico

977328_TT 4 102 E W742C

INSTRUCTIONS FOR USE02
CONSIGNES D'UTILISATION24
GEBRUIKSAANWIJZINGEN48
INSTRUCCIONES DE USO70

VALBERG





Thanks!

Thank you for choosing this VALBERG product. Chosen, tested and recommended by ELECTRO DEPOT, the products of the VALBERG brand are easy to use, reliable and of an impeccable standard. Thanks to this appliance, you can be sure that each use will bring you satisfaction.

Welcome to ELECTRO DEPOT.

Visit our website: www.electrodepot.fr



A

**Preview of the
appliance**

Description of the appliance

B

Using the appliance

Reverse Door
Installation
Daily Use

C

Useful information

Helpful hints and tips
Cleaning and care
Troubleshooting

Description of the appliance

- 1 Freezer
- 2 Thermostat and Light
- 3 Glass Shelves
- 4 Crisper Cover
- 5 Crisper
- 6 Leveling Feet
- 7 Balconies

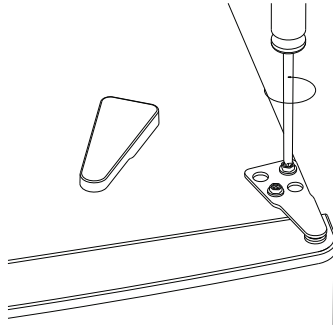
The illustration is only for hinting, the detail please check your appliance.

Reverse Door

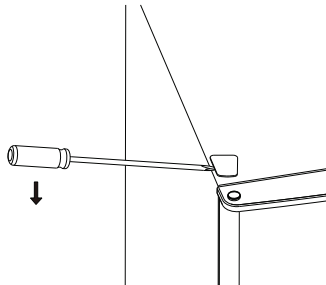
Tool required: Philips screwdriver, Flat bladed screwdriver, Hexagonal spanner.

- Ensure the unit is unplugged and empty.
- To take the door off, it is necessary to tilt the unit backwards. You should rest the unit on something solid so that it will not slip during the door reversing process.
- All parts removed must be saved to do the reinstallation of the door.
- Do not lay the unit flat as this may damage the coolant system.
- It's better that 2 people handle the unit during assembly.

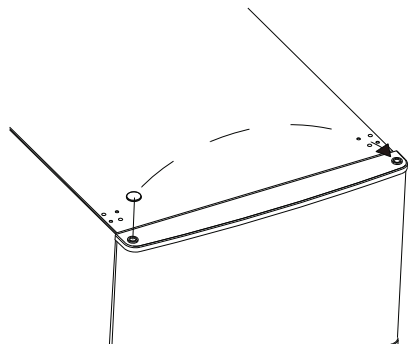
1. Remove hinge cover and then unscrew hinge bracket.



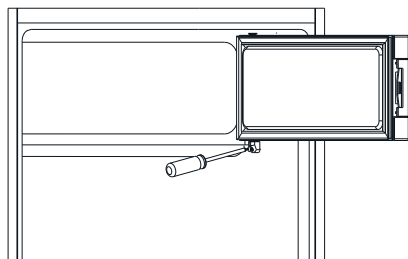
2. Remove the top left screw cover.



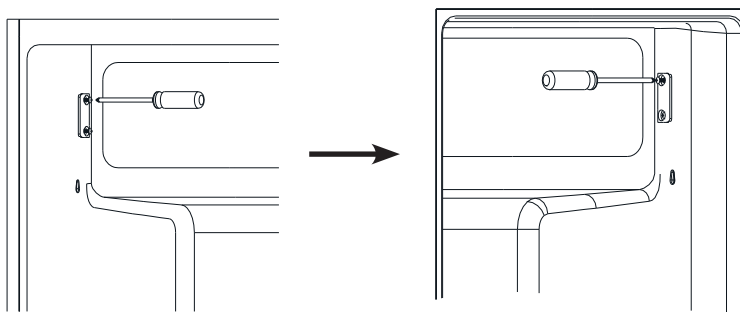
3. Move the core cover from left side to right side. And then lift the upper door and place it on a padded surface to prevent it from scratching.



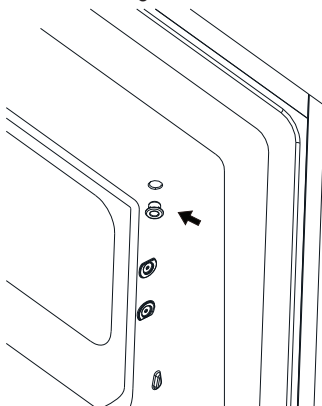
4. Unscrew bottom hinge of freezer door. Then remove the door and place it on a soft pad to avoid scratch.



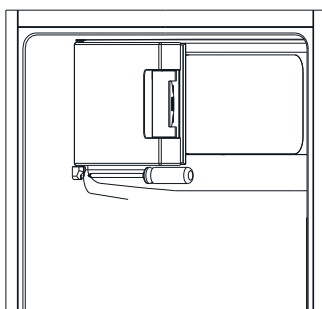
5. Move door holder from left side to right side.



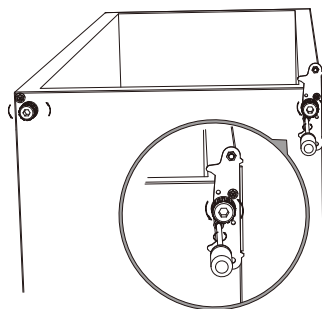
6. Move hinge hole cover from left side to right side.



7. Rotate freezer door and place hinge side at left side. And then fix the door by holder.

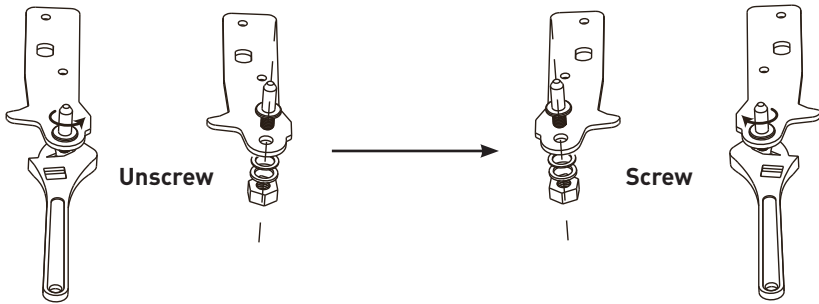


8. Unscrew bottom hinge. Then remove the adjustable feet from both side.

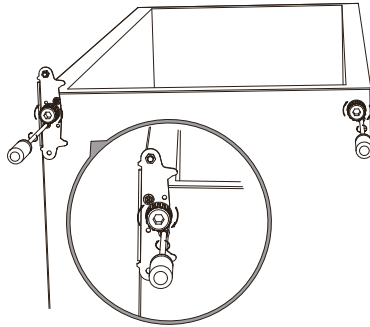


Note: remove this screw if it presents.

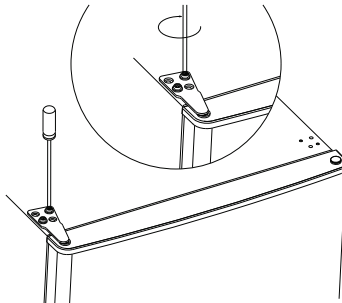
9. Unscrew and remove the bottom hinge pin, turn the bracket over and replace it.



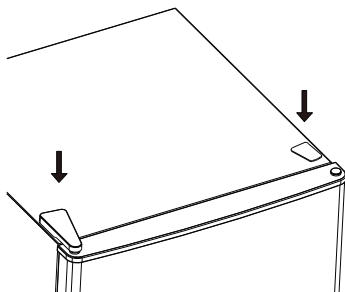
10. Refit the bracket fitting the bottom hinge pin. Replace both adjustable feet.



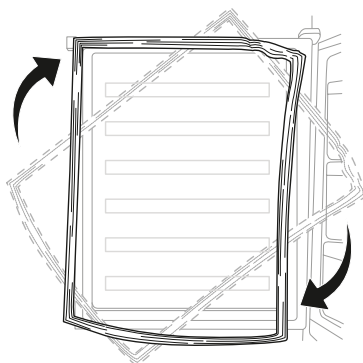
11. Place the door back on. Ensure the door is aligned horizontally and vertically so that the seals are closed on all sides before finally tightening the top hinge. Insert the hinge bracket and screw it to the top of the unit. Use a spanner to tighten it if necessary.



12. Put the hinge cover and the screw cover back.



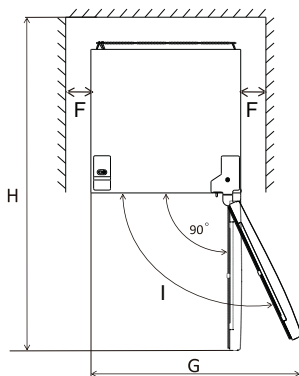
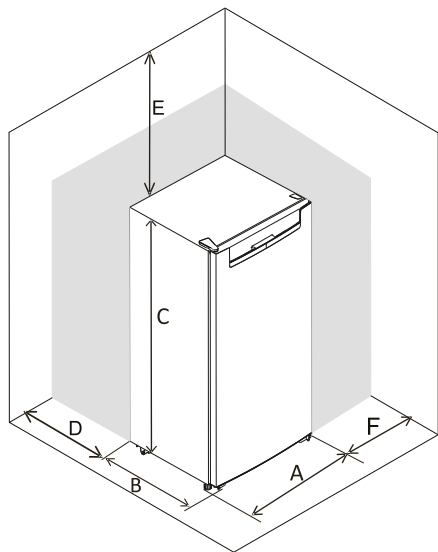
13. Detach the Fridge and the Freezer door gaskets and then attach them after rotating.



Installation

Space Requirement

Keep enough space of door open.

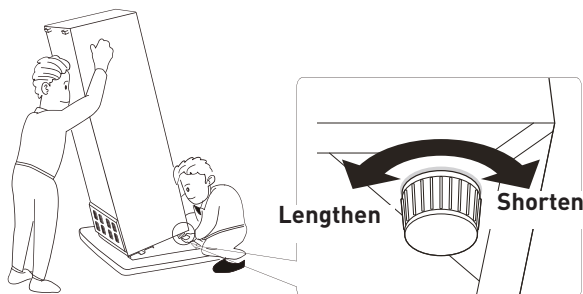


A	500
B	560
C	840
D	min=50
E	min=50
F	min=50
G	855
H	1110

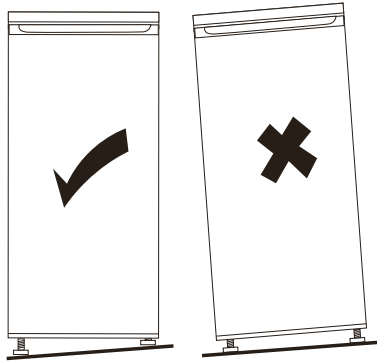
Note: this refrigerating appliance is not intended to be used as a built-in appliance.

Levelling the unit

To do this adjust the two levelling feet at front of the unit.



If the unit is not level, the doors and magnetic seal alignments will not be covered properly



Positioning

Install this appliance at a location where the ambient temperature corresponds to the climate class Indicated on the rating plate of the appliance:

for refrigerating appliances with climate class:

- extended temperate: this refrigerating appliance is intended to be used at ambient temperatures ranging from 10 °C to 32 °C; (SN)
- temperate: this refrigerating appliance is intended to be used at ambient temperatures ranging from 16 °C to 32 °C;(N)
- subtropical: this refrigerating appliance is intended to be used at ambient temperatures ranging from 16 °C to 38 °C;(ST)
- tropical: this refrigerating appliance is intended to be used at ambient temperatures ranging from 16 °C to 43 °C;(T)

Location

- The appliance should be installed well away from sources of heat such as radiators, boilers, direct sunlight etc. Ensure that air can circulate freely around the back of the cabinet.
- To ensure best performance, if the appliance is positioned below an overhanging wall unit, the minimum distance between the top of the cabinet and the wall unit must be at least 50mm.
- Ideally, however, the appliance should not be positioned below overhanging wall units. Accurate leveling is ensured by one or more adjustable feet at the base of the cabinet.
- This refrigerating appliance is not intended to be used as a built-in appliance;

WARNING

It must be possible to disconnect the appliance from the mains power supply; the plug must therefore be easily accessible after installation.

Electrical connection

- Before plugging in, ensure that the voltage and frequency shown on the rating plate correspond to your domestic power supply. The appliance must be earthed.
- The power supply cable plug is provided with a contact for this purpose. If the domestic power supply socket is not earthed, connect the appliance to a separate earth in compliance with current regulations, consulting a qualified electrician.
- The manufacturer declines all responsibility if the above safety precautions are not observed. This appliance complies with the E E C. Directives.

Daily use

First use

Cleaning the interior

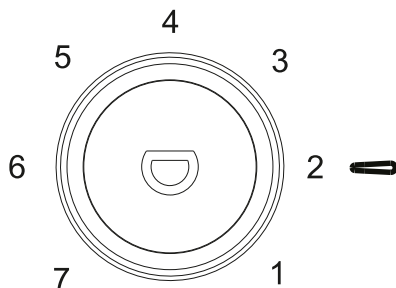
Before using the appliance for the first time, wash the interior and all internal accessories with lukewarm water and some neutral soap so as to remove the typical smell of a brand new product, then dry thoroughly.

IMPORTANT

Do not use detergents or abrasive powders, as these will damage the finish.

Temperature Setting

- Plug on your appliance. The internal temperature is controlled by a thermostat. There are 8 settings. 1 is warmest setting and 7 is coldest setting and 0 is off.
- The appliance may not operate at the correct temperature if it is in a particularly hot or if you open the door often.



Daily use

- Position different food in different compartments according to be below table

Refrigerator compartments	Type of food
Door and balconies	<ul style="list-style-type: none"> • Foods with natural preservatives, such as jams, juices, drinks, condiments. • Do not store perishable foods.
Crisper	<ul style="list-style-type: none"> • Fruits, herbs and vegetables should be placed separately in the crisper bin. • Do not store bananas, onions, potatoes, garlic in the refrigerator.

Refrigerator compartments	Type of food
Fridge shelf	<ul style="list-style-type: none"> • Dairy products, eggs • Foods that do not need cooling, such as ready to eat foods deli meat, leftovers.
Freezer compartment	<ul style="list-style-type: none"> • Foods for long-term storage.

Freezing fresh food

- The freezer compartment is suitable for freezing fresh food and storing frozen and deep-frozen food for a long time.
- Place the fresh food to be frozen in the freezer compartment.

CAUTION

This freezer compartment is a 3-star compartment (Freezer with $-18\text{ }^{\circ}\text{C}$), it's not suitable for freezing plenty of foodstuffs within 24 hours.

Storing frozen food

- Then first starting-up or after a period out of use before putting the product in the compartment let the appliance run at least 2 hours on the higher settings.

IMPORTANT

In the event of accidental defrosting, for example the power has been off for longer than the value shown in the technical characteristics chart under "rising time", the defrosted food must be consumed quickly or cooled immediately and then re-frozen (after cooked).

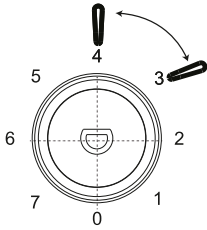
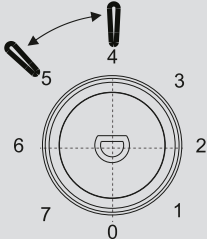
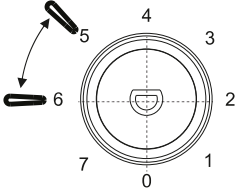
Thawing

- Deep-frozen or frozen food prior to be used can be thawed in the fridge compartment or at room temperature depending on the time available for this operation.
- Small pieces may even be cooked still frozen directly from the freezer. In this case, cooking will take longer.

Ice-cube

- This appliance may be equipped with one or more ice-cube to produce ice.

Temperature setting recommendation

Environment Temperature	Freezer compartment	Fridge compartment
Summer	/	 <p>Set on 2~4</p>
Normal	/	 <p>Set on 4~5</p>
Winter	/	 <p>Set on 5~6</p>

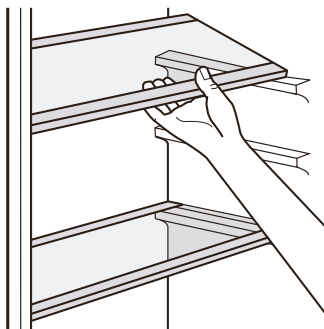
Information above give users recommendation of temperature setting.

Impact on Food Storage

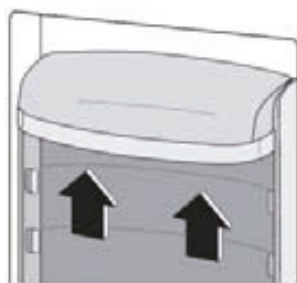
- Under Recommended setting, the best storage time of fridge is no more than 3 days.
- Under Recommended setting, the best storage time of freezer is no more than 1 month.
- The best storage time may reduce under other settings.

AccessoriesMovable shelves

The walls of the refrigerator are equipped with a series of runners so that the shelves can be positioned as desired.

Positioning the door balconies

To permit storage of food packages of various sizes, the door balconies can be placed at different heights. To make these adjustments proceed as follows: gradually pull the balcony in the direction of the arrows until it comes free, then reposition as required.



Helpful hints and tips

To help you make the most of the freezing process here are some important hints:

- Prepare food in small portions to enable it to be rapidly and completely cooled and to make it possible subsequently to thaw only the quantity required;
- Wrap up the food in aluminium foil or polythene and make sure that the packages are airtight;
- Do not allow fresh unfrozen food to touch food which is already frozen thus avoiding a rise in temperature of the latter;
- Lean foods store better and longer than fatty ones; salt reduces the storage life of food;
- Water ices if consumed immediately after removal from the freezer compartment can possibly cause the skin to be freeze burnt;
- It is advisable to show the freezing in date on each individual pack to enable you removal from the freezer compartment can possibly cause the skin to be freeze burnt;
- It is advisable to show the freezing in date on each individual pack to enable you to keep tab of the storage time.

Hints for storage of frozen food

To obtain the best performance from this appliance you should:

- Make sure that the commercially frozen foodstuffs were adequately stored by the retailer;
- Be sure that frozen foodstuffs are transferred from the food store to the freezer in the shortest possible time;

- Not open the door frequently or leave it open longer than absolutely necessary.
- Once defrosted, food deteriorates rapidly and cannot be re-frozen;
- Do not exceed the storage period indicated by the food manufacture.

Hints for fresh food refrigeration

To obtain the best performance:

- Do not store warm food or evaporating liquids in the refrigerator
- Do cover or wrap the food particularly if it has a strong flavour
- Make (all types): wrap in polythene bags and place on the glass shelves above the vegetable drawer.
- For safety store in this way only one or two days at the most.
- Cooked foods, cold dishes etc...: these should be covered and may be placed on any shelf.
- Fruit and vegetables: these should be thoroughly cleaned and placed in the special drawers(s) provided.
- Butter and cheese: these should be placed in special airtight containers or wrapped in aluminum foil or polythene bags to exclude as much air as possible.
- Milk bottle: these should have a cap and should be stored in the balconies on the door.
- Bananas, potatoes, onions and garlic, if not packed, must not be kept in the fridge.

Cleaning and care

For hygienic reasons the appliance interior, including interior accessories, should be cleaned regularly.

CAUTION

The appliance may not be connected to the mains during cleaning. Danger of electrical shock! Before cleaning switch the appliance off and remove the plug from the mains, or switch off or turn out the circuit breaker or fuse. Never clean the appliance with a steam cleaner. Moisture could accumulate in electrical components, danger of electrical shock! Hot vapors can lead to the damage of plastic parts. The appliance must be dry before it is placed back into service.

IMPORTANT

Ethereal oils and organic solvents can attack plastic parts, e.g. lemon juice or the juice from orange peel, butyric acid, cleanser that contain acetic acid.

- Do not allow such substances to come into contact the appliance parts.
- Do not use any abrasive cleaners
- Remove the food from the freezer. Store them in a cool place, well covered.
- Switch the appliance off and remove the plug from the mains, or switch off or turn out the circuit breaker of fuse.
- Clean the appliance and the interior accessories with a cloth and lukewarm water. After cleaning wipe with fresh water and rub dry.

- After everything is dry place appliance back into service.

Defrosting of the freezer

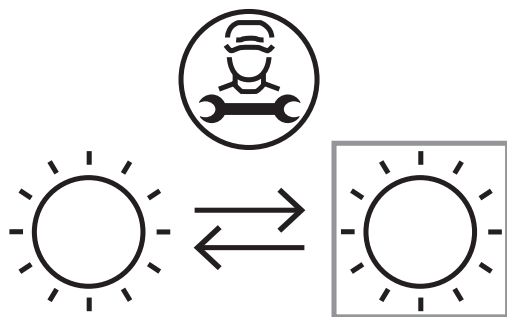
The freezer compartment, however, will become progressively covered with frost. This should be removed. Never use sharp metal tools to scrape off frost from the evaporator as you could damage it.

However when the ice becomes very thick on the inner liner, complete defrosting should be carried out as follows:

- Pull out the plug from the socket;
- Remove all stored food wrap it in several layers of newspaper and put it in a cool place;
- Keep the door open and placing a basin underneath of the appliance to collect the defrost water⁴
- When defrosting is completed, dry the interior thoroughly
- Replace the plug in the power socket to run the appliance again.

Replace the lamp

- The internal light is a LED type. To replace the lamp, please contact qualified technician.



Error codes

If there is an error, the LED will flash a several times as indicated in the table below.

Cause	Interior lighting LED flashes
Failure of fridge temperature sensor	1x
Fridge door isn't closed for more than 60s	3x

Troubleshooting

CAUTION

Before troubleshooting, disconnect the power supply. Only a qualified electrician or competent person must do the troubleshooting that is not in this manual.

IMPORTANT

There are some sounds during normal use (compressor, refrigerant circulation).

Problem	Possible cause	Solution
Appliance does not work	Temperature regulation knob is set at number "0".	Set the knob at other number to switch on the appliance.
	Mains plug is not plugged in or is loose	Insert mains plug.
	Fuse has blown or is defective	Check fuse, replace if necessary.
	Socket is defective	Mains malfunctions are to be corrected by an electrician.
The food is too warm.	Temperature is not properly adjusted.	Please look in the initial Temperature Setting section.
	Door was open for an extended period.	Open the door only as long as necessary.
	A large quantity of warm food was placed in the appliance within the last 24 hours.	Turn the temperature regulation to a colder setting temporarily.
	The appliance is near a heat source.	Please look in the installation location section.
Appliance cools too much	Temperature is set too cold.	Turn the temperature regulation knob to a warmer setting temporarily.

Problem	Possible cause	Solution
Unusual noises	Appliance is not level.	Re-adjust the feet.
	The appliance is touching the wall or other objects.	Move the appliance slightly.
	A component, e.g. a pipe, on the rear of the appliance is touching another part of the appliance or the wall.	If necessary, carefully bend the component out of the way.
Water on the floor	Water drain hole is blocked.	See the Cleaning and Care section.
Side panels are hot.	It's normal. Heat exchange parts are in the sides.	Take gloves to touch sides.

If the malfunction shows again, contact the Service Center.

Merci !

Nous vous remercions d'avoir choisi ce produit VALBERG.

Choisis, testés et recommandés par ELECTRO DEPOT, les produits de la marque VALBERG sont simples d'utilisation, tout en offrant des performances fiables et une qualité irréprochable.

Grâce à cet appareil, vous êtes assuré(e) que chaque utilisation vous apportera satisfaction.

Bienvenue chez ELECTRO DEPOT.

Consultez notre site Internet : www.electrodepot.fr

A

Aperçu de l'appareil

Description de l'appareil

B

Utilisation de l'appareil

Inversion de la porte
Installation
Utilisation quotidienne

C

Informations pratiques

Conseils et astuces utiles
Nettoyage et entretien
Dépannage

Description de l'appareil

- 1 Congélateur
- 2 Thermostat et éclairage
- 3 Clayettes en verre
- 4 Tablette de protection du bac à légumes
- 5 Bac à légumes
- 6 Pieds de réglage
- 7 Balconnets

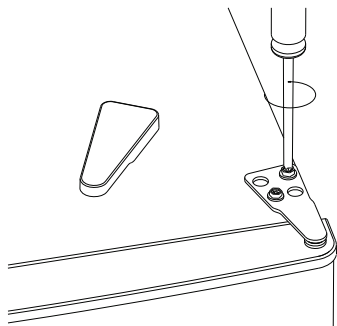
L'illustration est uniquement présente à titre indicatif, veuillez vérifier votre appareil pour plus de détails.

Inversion de la porte

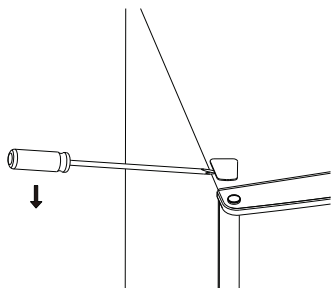
Outil requis : tournevis cruciforme, tournevis plat, clé hexagonale.

- Assurez-vous que l'appareil est débranché et vide.
- Pour retirer la porte, il est nécessaire d'incliner l'appareil vers l'arrière. Il doit reposer sur une surface solide, pour éviter qu'il ne glisse pendant l'opération d'inversion de la porte.
- Toutes les pièces retirées doivent être conservées afin de pouvoir réinstaller ensuite la porte.
- Ne posez pas l'appareil à plat, car cela risquerait d'endommager le système de refroidissement.
- Il est préférable que 2 personnes manipulent l'appareil lors du montage.

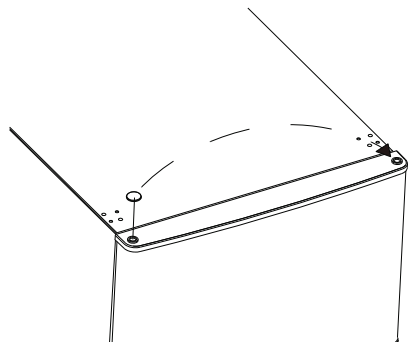
1. Retirez le cache charnière puis dévissez le support de la charnière.



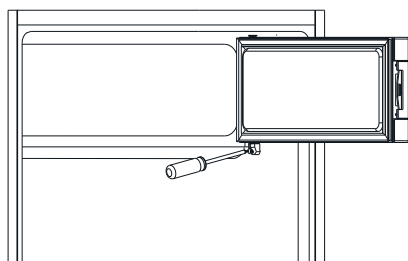
2. Retirez le cache-vis en haut à gauche.



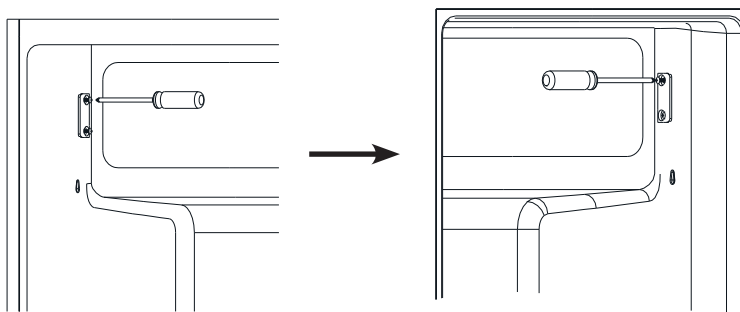
3. Déplacez le cache charnière du côté gauche au côté droit. Puis soulevez la porte du haut et placez-la sur une surface rembourrée pour éviter de la rayer.



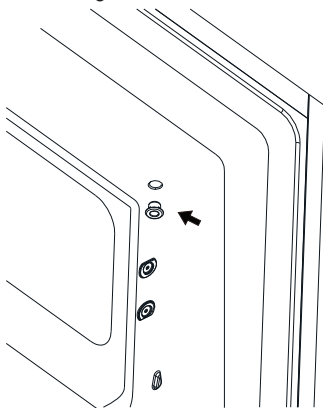
4. Dévissez la charnière du bas de la porte du congélateur. Ensuite, retirez la porte et placez-la sur une surface rembourrée afin d'éviter toute éraflure.



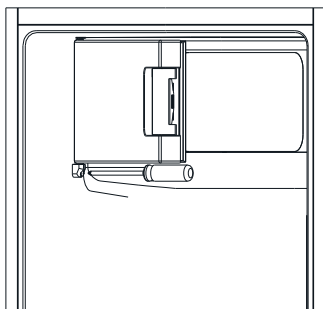
5. Déplacez le support de porte du côté gauche au côté droit.



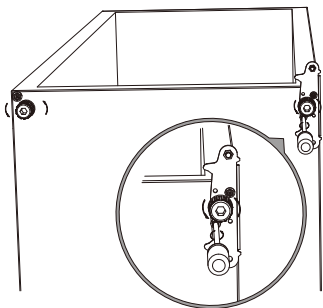
6. Déplacez le cache charnière du côté gauche sur le côté droit.



7. Retournez la porte du congélateur en plaçant le côté charnière du côté gauche. Fixez ensuite la porte à l'aide du support.

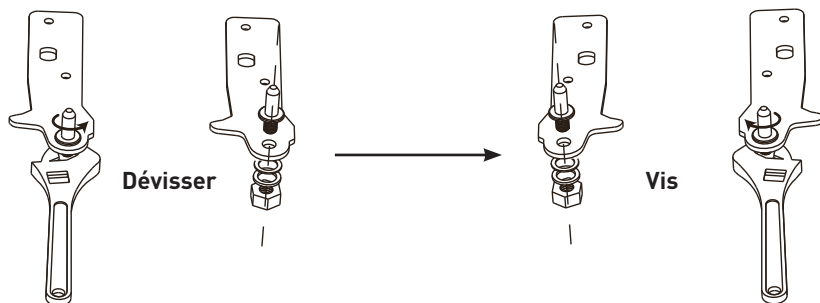


8. Dévissez la charnière inférieure. Ensuite, retirez les pieds réglables de chaque côté.

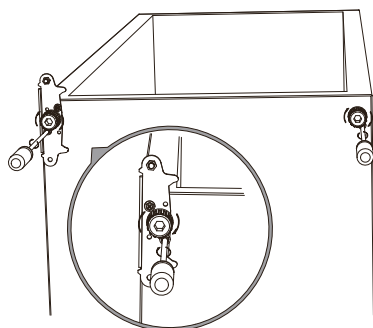


Remarque : enlever cette vis si elle est présente.

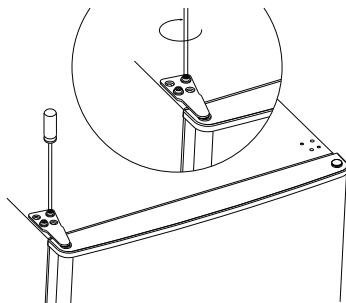
9. Dévissez et retirez l'axe de la charnière inférieure, retournez le support et replacez-le.



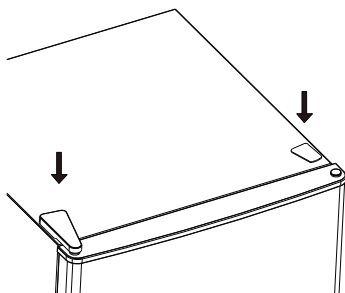
10. Fixez de nouveau le support à l'aide de l'axe de la charnière inférieure. Replacez les deux pieds réglables.



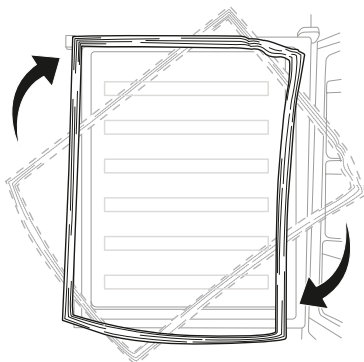
11. Remplacez la porte. Assurez-vous d'aligner la porte horizontalement et verticalement, de façon à ce que les joints soient hermétiques de tous les côtés, avant de resserrer la charnière supérieure. Insérez le support de charnière et vissez-le en haut de l'appareil. Utilisez une clé pour resserrer si nécessaire.



12. Remettez le cache charnière et le cache vis.



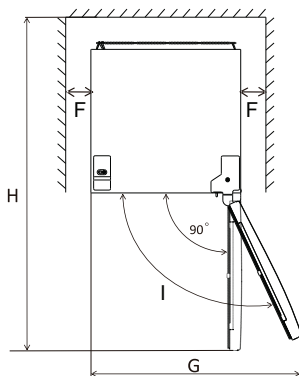
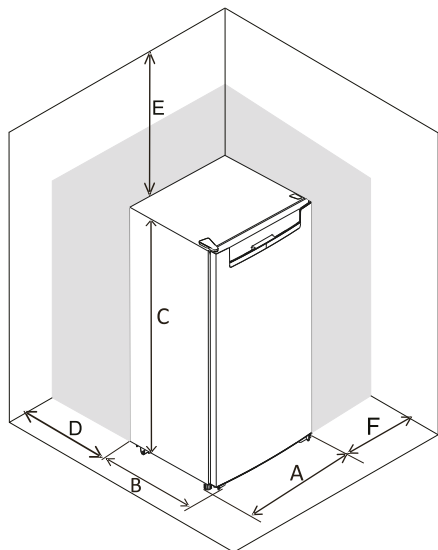
13. Démontez les joints des portes du réfrigérateur et du congélateur, puis réinstallez-les après avoir procédé à l'inversion.



Installation

Espace requis

Veillez à conserver suffisamment de place pour pouvoir ouvrir la porte.

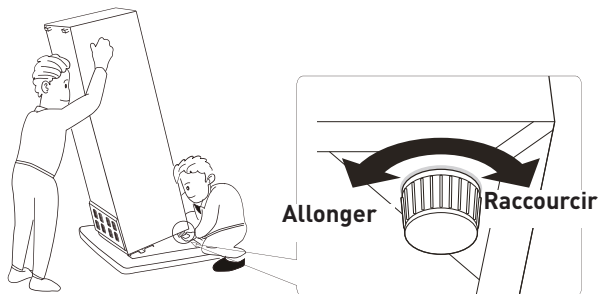


A	500
B	560
C	840
D	min=50
E	min=50
F	min=50
G	855
H	1110

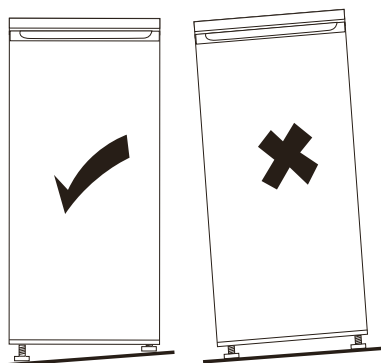
Remarque : cet appareil de réfrigération n'est pas conçu pour être utilisé comme un élément de cuisine intégrée.

Mise à niveau de l'appareil

Pour ce faire, réglez les deux pieds de mise à niveau à l'avant de l'appareil.



Si l'appareil n'est pas droit, les portes et joints magnétiques ne seront pas correctement alignés



Positionnement

Installez l'appareil dans un endroit où la température ambiante correspond à la classe climatique indiquée sur la plaque signalétique de l'appareil :

pour les appareils de réfrigération avec une classe climatique :

- tempérée élargie : cet appareil de réfrigération est conçu pour être utilisé à des températures ambiantes allant de 10 à 32° C ; (SN)
- tempérée : cet appareil de réfrigération est conçu pour être utilisé à des températures ambiantes allant de 16 à 32° C ; (N)
- subtropicale : cet appareil de réfrigération est conçu pour être utilisé à des températures ambiantes allant de 16 à 38° C ; (ST)
- tropicale : cet appareil de réfrigération est conçu pour être utilisé à des températures ambiantes allant de 16 à 43° C ; (T)

Emplacement

- L'appareil doit être installé à l'écart de sources de chaleur telles que les radiateurs, les chaudières, les rayons directs du soleil, etc. Veillez à ce que l'air puisse circuler librement à l'arrière de l'appareil.
- Pour un fonctionnement optimal, si l'appareil est placé sous un élément mural, la distance entre le haut de l'appareil et l'élément mural doit être d'au moins 50 mm.
- Dans la mesure du possible, il est toutefois préférable de ne pas positionner l'appareil sous des éléments muraux. Une mise à niveau précise est possible grâce à un ou plusieurs pieds réglables situés au bas de l'appareil.

- Cet appareil de réfrigération n'est pas conçu pour être utilisé comme un élément de cuisine intégrée.

AVERTISSEMENT

Il doit être possible de débrancher l'appareil de l'alimentation secteur ; par conséquent, la prise doit être facilement accessible après l'installation.

Raccordement électrique

- Avant de brancher l'appareil, vérifiez que la tension et la fréquence indiquées sur la plaque signalétique correspondent à l'alimentation électrique de votre foyer. Cet appareil doit être relié à la terre.
- La fiche du câble d'alimentation fournie est dotée d'un contact prévu à cet effet. Si la prise d'alimentation électrique n'est pas reliée à la terre, raccordez l'appareil à une ligne de terre distincte conformément aux réglementations en vigueur, en faisant appel à un électricien qualifié.
- Le fabricant décline toute responsabilité en cas de non respect des précautions de sécurité ci-dessus. L'appareil est conforme aux directives européennes.

Utilisation quotidienne

Avant la première utilisation de l'appareil

Nettoyage de l'intérieur

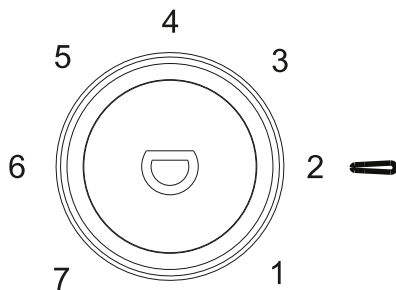
Avant d'utiliser l'appareil pour la première fois, lavez l'intérieur et tous les accessoires avec de l'eau tiède et un savon neutre, de manière à éliminer l'odeur caractéristique des appareils neufs. Séchez-les ensuite complètement.

IMPORTANT

N'utilisez pas de détergents ou de poudres abrasives, car ils endommageraient la finition.

Réglage de la température

- Branchez votre appareil. La température intérieure est contrôlée par un thermostat. Il existe 8 réglages. 1 correspond au réglage le plus chaud et 7 au réglage le plus froid. 0 correspond à la mise à l'arrêt de l'appareil.
- Il se peut que l'appareil ne fonctionne pas à la bonne température s'il se trouve dans un endroit particulièrement chaud ou si vous ouvrez régulièrement la porte.



Utilisation quotidienne

- Placez les différents aliments à différents emplacements selon le tableau ci-dessous

Compartiments du réfrigérateur	Type d'aliment
Portes et balconnets	<ul style="list-style-type: none"> • Aliments avec des conservateurs naturels, comme les confitures, jus de fruits, boissons et condiments. • Ne pas stocker d'aliments périssables.

Compartiments du réfrigérateur	Type d'aliment
Bac à légumes	<ul style="list-style-type: none"> • Les fruits, herbes aromatiques et légumes doivent être placés séparément dans le bac à légumes. • Ne pas y stocker de bananes, d'oignons, de pommes de terre ou d'ail.
Clayettes du réfrigérateur	<ul style="list-style-type: none"> • Produits laitiers, œufs • Aliments ne nécessitant pas de cuisson, comme les aliments prêts à manger, la charcuterie, les restes.
Compartiment congélateur	<ul style="list-style-type: none"> • Aliments à longue durée de conservation.

Congélation de denrées alimentaires fraîches

- Le compartiment congélateur convient pour congeler des denrées alimentaires fraîches et conserver de la nourriture congelée ou surgelée pendant une période prolongée.
- Placez les denrées alimentaires fraîches à congeler dans le compartiment congélateur.

ATTENTION

Ce compartiment congélateur est de catégorie 3 étoiles (congélateur à -18°C), il ne convient pas pour congeler une grande quantité d'aliments en 24h.

Conservation d'aliments surgelés

- Lors de la première utilisation ou après une période d'inutilisation prolongée, avant de placer des produits dans le compartiment, laissez l'appareil fonctionner pendant au moins 2 heures, en le réglant sur la température la plus basse.

IMPORTANT

En cas de décongélation accidentelle, par exemple si l'alimentation électrique a été coupée pendant plus longtemps que la valeur indiquée dans le tableau des caractéristiques techniques sous la mention « Autonomie », les denrées décongelées doivent être consommées rapidement, ou cuites immédiatement puis recongelées (une fois cuites).

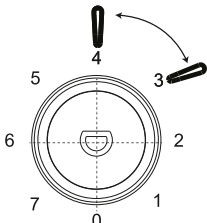
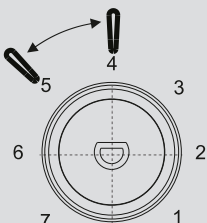
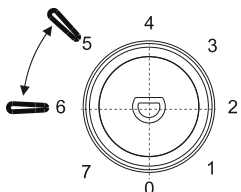
Décongélation

- Avant d'être utilisés, les aliments congelés ou surgelés peuvent être décongelés dans le compartiment de réfrigération ou à température ambiante, selon le temps dont vous disposez pour cette opération.
- Les petits aliments ou morceaux peuvent même être cuits tels quels, sans décongélation. Dans ce cas, leur cuisson prendra plus de temps.

Bac à glaçons

- Cet appareil peut être équipé d'un ou de plusieurs bac(s) pour faire des glaçons.

Recommandations de réglage de la température

Température de l'environnement	Compartiment congélateur	Compartiment réfrigérateur
Été	/	 <p>Réglez sur 2~4</p>
Normal	/	 <p>Réglez sur 4~5</p>
Hiver	/	 <p>Réglez sur 5~6</p>

Les informations ci-dessus donnent aux utilisateurs des recommandations de réglage de la température.

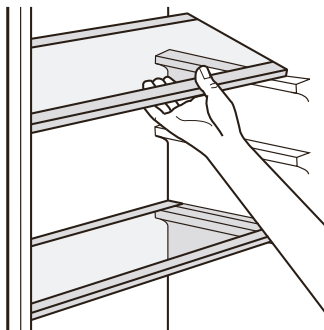
Effets sur la conservation des aliments

- Avec les réglages recommandés, la meilleure durée de conservation du réfrigérateur ne dépasse pas 3 jours.
- Sous le réglage recommandé, la meilleure durée de conservation du congélateur ne dépasse pas 1 mois.
- Avec d'autres réglages, la meilleure durée de conservation peut être réduite.

Accessoires

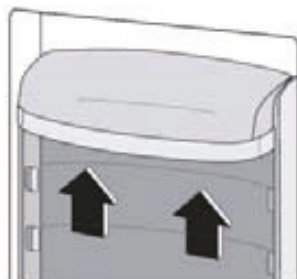
Clayettes amovibles

Les parois du réfrigérateur sont équipées de diverses glissières pour vous permettre de positionner les clayettes à votre convenance.



Positionnement des balconnets de porte

Pour pouvoir ranger des conditionnements alimentaires de tailles variées, les balconnets de porte peuvent être positionnés à différentes hauteurs. Pour effectuer ces ajustements, procédez comme suit : tirez progressivement le balconnet dans les sens des flèches, jusqu'à le sortir entièrement. Ensuite, repositionnez-le à votre convenance.



Conseils et astuces utiles

Pour optimiser le processus de congélation, voici quelques conseils importants :

- Préparez de petites portions pour qu'elles puissent congeler intégralement et rapidement et pour ensuite pouvoir décongeler uniquement la quantité requise.
- Emballez la nourriture dans du papier d'aluminium ou du papier film et assurez-vous que les emballages sont hermétiques.
- Ne laissez pas des aliments frais non congelés entrer en contact avec des aliments déjà congelés, car cela entraînerait une augmentation de la température de ces derniers.
- Les aliments maigres se conservent mieux et plus longtemps que les aliments gras. Le sel réduit la durée de conservation de la nourriture.
- S'ils sont consommés immédiatement après avoir été retirés du compartiment congélateur, les glaçons sont susceptibles de générer des brûlures par le froid.
- Vous devez respecter la durée de stockage indiquée sur l'emballage des produits.
- Il est conseillé de laisser la date apparente sur chaque portion individuelle congelée afin de pouvoir suivre la durée de conservation.

Conseils pour le stockage des aliments surgelés

Pour que cet appareil fonctionne de manière optimale, vous devez :

- Vous assurer que les denrées alimentaires surgelées ont été correctement conservées par le détaillant ;
- Vous assurer de transférer les denrées alimentaires congelées du magasin d'alimentation jusqu'à votre congélateur en un minimum de temps ;
- Ne pas ouvrir fréquemment la porte, ni la laisser ouverte plus longtemps que nécessaire ;
- Ne pas recongeler de la nourriture décongelée car celle-ci se détériore rapidement ;
- Ne pas dépasser la date de conservation indiquée par le fabricant des aliments.

Conseils pour la réfrigération d'aliments frais

Pour obtenir une performance optimale :

- Ne rangez pas des aliments chauds ni des liquides qui s'évaporent dans le réfrigérateur.
- Couvrez ou emballez les aliments, en particulier s'ils présentent une odeur prononcée
- Viande (tous types) : emballez les denrées dans des sacs en polyéthylène et placez-les sur les étagères en verre, au-dessus du bac à légumes.
- Par précaution, ne conservez les aliments de cette manière qu'un jour ou deux tout au plus.
- Nourriture cuisinée, plats froids, etc. : ils doivent être couverts et peuvent être placés sur n'importe quelle étagère.

- Fruits et légumes : ces derniers doivent être parfaitement lavés et placés dans le/les bac(s) spécifique(s) fourni(s).
- Beurre et fromage : ces derniers doivent être placés dans des récipients spéciaux, hermétiques à l'air, ou enveloppés dans du papier aluminium ou des sacs en polyéthylène afin d'exclure le maximum d'air possible.
- Bouteille de lait : elle doit être pourvue d'un bouchon et être conservée dans les balconnets de la porte.
- Les bananes, pommes de terre, oignons et ail ne doivent pas être conservés au réfrigérateur, à moins d'être emballés.

Nettoyage et entretien

Pour des raisons d'hygiène, l'intérieur de l'appareil et les accessoires doivent être nettoyés régulièrement.

ATTENTION

L'appareil ne doit pas être branché sur le secteur pendant le nettoyage. Risque de choc électrique ! Avant de nettoyer l'appareil, mettez-le hors tension et retirez la fiche de l'alimentation secteur ou coupez le disjoncteur ou enlevez le fusible. Ne nettoyez jamais l'appareil à l'aide d'un nettoyeur vapeur. De l'humidité pourrait s'accumuler dans les composants électriques, provoquant un risque de choc électrique ! Les vapeurs chaudes peuvent endommager les pièces en plastique. L'appareil doit être sec avant d'être remis en service.

IMPORTANT

Les huiles essentielles et les solvants organiques (par ex. jus ou écorce de citron ou d'orange, acide butyrique, détergent contenant de l'acide acétique) peuvent attaquer les pièces en plastique.

- Ne laissez pas ces substances entrer en contact avec les pièces de l'appareil.
- N'utilisez aucun nettoyant abrasif
- Retirez les denrées du congélateur. Stockez-les dans un endroit frais, bien couverts.
- Mettez l'appareil hors tension et retirez la fiche de l'alimentation secteur ou coupez le disjoncteur ou enlevez le fusible.

- Nettoyez l'appareil et les accessoires intérieurs à l'eau tiède, avec un chiffon. Après les avoir nettoyés, essuyez-les en frottant.
- Une fois que tout est bien sec, vous pouvez remettre l'appareil en service.

Dégivrage du congélateur

Le compartiment du congélateur se recouvrira progressivement de givre. Celui-ci doit être retiré. N'utilisez jamais d'outils métalliques pointus pour enlever le givre de l'évaporateur ; vous risqueriez de l'endommager.

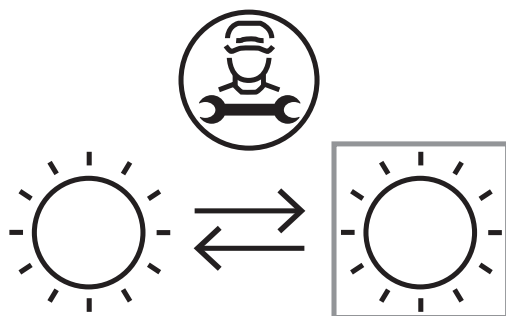
Cependant, quand la glace devient très épaisse sur le revêtement intérieur, un dégivrage complet doit être effectué comme suit :

- Retirez la fiche de la prise de courant ;
- Retirez toute la nourriture située à l'intérieur, enveloppez-la dans plusieurs couches de papier journal et placez-la dans un endroit frais ;
- Laissez la porte ouverte et placez une bassine sous l'appareil afin de récupérer l'eau issue du dégivrage
- Une fois le dégivrage terminé, séchez bien l'intérieur
- Réinsérez la fiche dans la prise de courant pour remettre l'appareil en service.

Remplacement de la lampe

- La lumière intérieure est une lumière de type LED. Pour remplacer la lampe, veuillez contacter un technicien

qualifié.



Codes d'erreur

En cas d'erreur, la LED clignote plusieurs fois comme indiqué dans le tableau ci-dessous.

Cause	La LED d'éclairage intérieur clignote
Défaillance du capteur de température du réfrigérateur	1x
La porte du réfrigérateur est ouverte depuis plus de 60 sec.	3x

Dépannage

IMPORTANT

Avant le dépannage, débranchez le cordon d'alimentation. Seuls des électriciens qualifiés ou d'autres personnes compétentes peuvent effectuer les opérations de dépannage qui ne sont pas décrites dans ce guide d'utilisation.

IMPORTANT

L'appareil émet des bruits dans les conditions normales de fonctionnement (compresseur, circulation du fluide frigorigène).

Problème	Cause possible	Solution
L'appareil ne fonctionne pas	Le bouton de réglage de la température est réglé sur « 0 ».	Réglez le bouton sur un autre chiffre pour mettre en marche l'appareil.
	Le cordon d'alimentation n'est pas bien branché	Insérez la fiche secteur.
	Le fusible a sauté ou est défectueux	Vérifiez le fusible, remplacez-le si besoin.
	La fiche est défectueuse	Les dysfonctionnements du secteur doivent être corrigés par un électricien.
Les denrées alimentaires sont trop chaudes.	La température n'est pas correctement ajustée.	Veillez consulter le paragraphe Réglage de la température.
	La porte est restée ouverte pendant une période prolongée.	N'ouvrez la porte que pendant le temps nécessaire.
	Une quantité importante de nourriture chaude a été placée dans l'appareil au cours des dernières 24 heures.	Tournez temporairement le régulateur de température vers un réglage plus froid.
	L'appareil se trouve à proximité d'une source de chaleur.	Veillez consulter le chapitre relatif à l'emplacement d'installation de l'appareil.

Problème	Cause possible	Solution
L'appareil refroidit trop.	Le réglage de la température est trop froid.	Tournez temporairement le bouton de la température sur un réglage moins froid.
Bruits inhabituels	L'appareil n'est pas droit.	Régalez les pieds.
	L'appareil touche le mur ou d'autres objets. Un élément à l'arrière de l'appareil, par ex. un tuyau, entre en contact avec une autre partie de l'appareil ou le mur.	Déplacez légèrement l'appareil. Si nécessaire, courbez délicatement cet élément pour l'éloigner.
De l'eau coule sur le sol	L'orifice d'évacuation d'eau est bouché.	Référez-vous au chapitre « Nettoyage et entretien ».
Les panneaux latéraux sont chauds.	Cela est normal. Les pièces d'échange de chaleur sont situées sur les côtés.	Mettez des gants pour toucher les côtés.

Si le dysfonctionnement persiste, contactez le service après-vente.

Bedankt!

Bedankt om dit VALBERG-product te kiezen.
ELECTRO DEPOT kiest, test, en beveelt de producten
van het merk VALBERG aan.

Ze zijn eenvoudig te gebruiken, betrouwbaar en van
onberispelijke kwaliteit.

Dankzij dit toestel kunt u er zeker van zijn dat u bij
elk gebruik volledig tevreden bent.

Welkom bij ELECTRO DEPOT.

Bezoek onze website: www.electrodepot.fr



ELECTRO DEPOT

A

**Overzicht van het
toestel**

Beschrijving van het toestel

B

**Gebruik van het
toestel**

Deur omdraaien
Installatie
Dagelijks gebruik

C

Praktische informatie

Nuttige tips en trucs
Reiniging en onderhoud
Probleemoplossing

Beschrijving van het toestel

- 1 Diepvriezer
- 2 Thermostaat en licht
- 3 Glazen legplanken
- 4 Afdekking groentelade
- 5 Groentelade
- 6 Verstelbare voetjes
- 7 Deurrekken

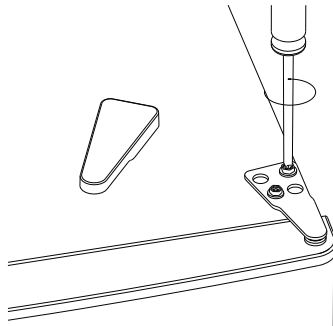
De illustratie is slechts indicatief. Bekijk uw toestel voor de details.

Deur omdraaien

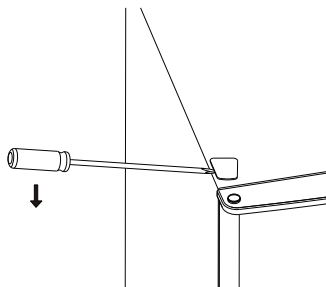
Vereist gereedschap: Kruisschroevendraaier, platte schroevendraaier, zeskantsleutel.

- Zorg ervoor dat de stekker uitgetrokken is en het toestel leeg is.
- Om de deur te verwijderen moet u het toestel achterwaarts tillen. Plaats het toestel op een stevig oppervlak zodat het niet wegglijdt tijdens uw werkzaamheden.
- Alle verwijderde delen moeten bijgehouden worden om de deur opnieuw te kunnen plaatsen.
- Leg het toestel niet plat. Dit kan het koelsysteem beschadigen.
- Het is beter om het toestel met 2 personen te monteren.

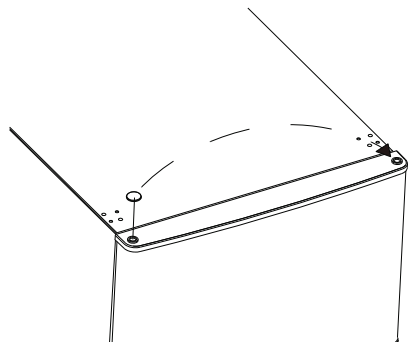
1. Verwijder het scharnierdeksel en schroef de scharnierbeugel los..



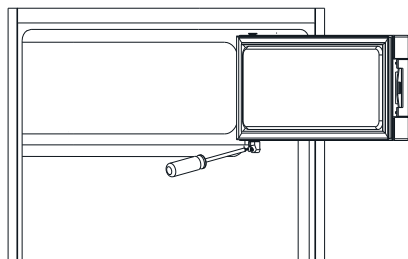
2. Verwijder de bedekking van de schroef bovenaan links.



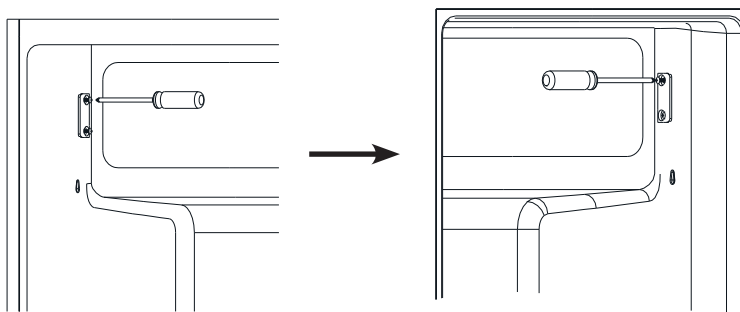
3. Verplaats de bedekking van de linker- naar de rechterkant. Til dan de bovenste deur op en plaats ze op een zacht oppervlak om krassen te vermijden.



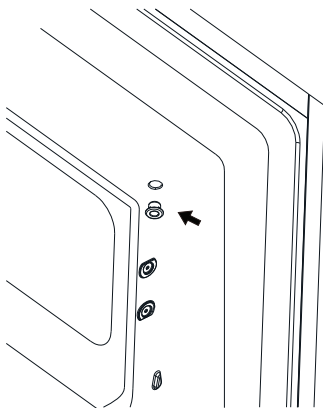
4. Maak de onderste scharnier van de deur van de diepvriezer los. Verwijder dan de deur en plaats ze op een zacht oppervlak om krassen te vermijden.



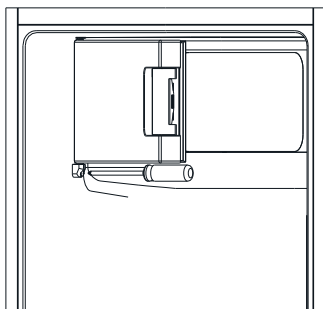
5. Verplaats de deurhouder van de linker- naar de rechterkant.



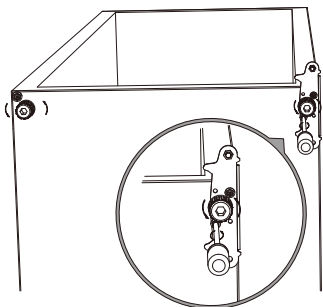
6. Verplaats de bedekking van de scharnierholte van de linker- naar de rechterkant.



7. Draai de deur van de diepvriezer om en plaats de kant van de scharnier links. Maak de deur vast met de houder.

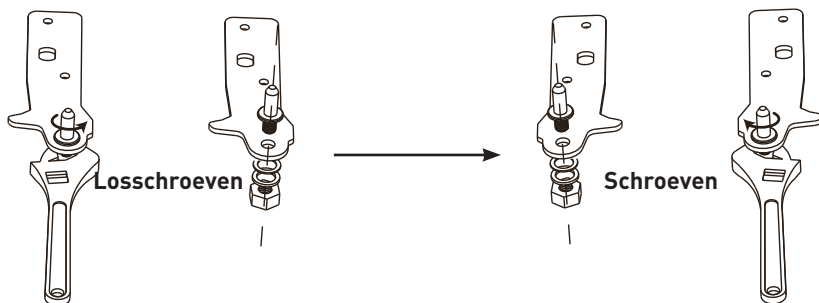


8. Maak de onderste scharnier los. Verwijder dan de verstelbare voetjes aan beide kanten.

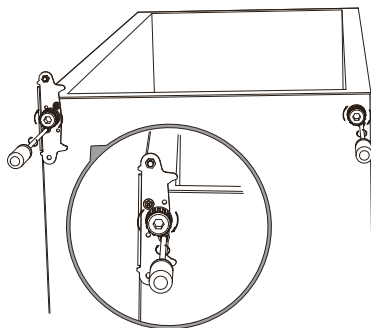


Opmerking: Verwijder deze schroef indien ze aanwezig is.

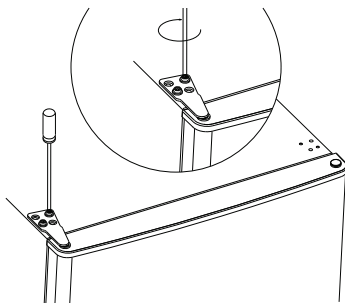
9. Schroef de onderste scharnierpen los en verwijder ze. Draai de steun om en plaats terug.



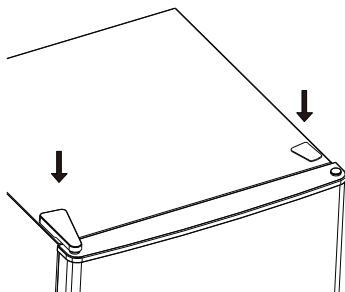
10. Breng de steun opnieuw aan met de onderste scharnierpen. Plaats de twee verstelbare voetjes terug.



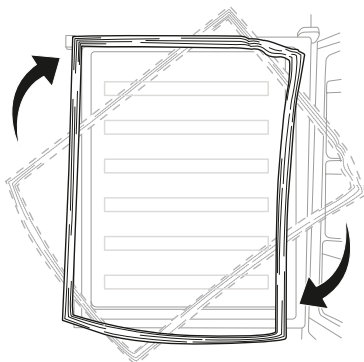
11. Plaats de deur terug. Zorg ervoor dat de deur horizontaal en verticaal uitgelijnd is zodat de afdichtingen aan alle zijden gesloten zijn voor u de bovenste scharnier vastdraait. Plaats de scharnier en maak ze vast aan de bovenkant van het toestel. Gebruik een moersleutel om ze vast te maken indien nodig.



12. Plaats het scharnierdeksel en schroef de bedekking er terug op.



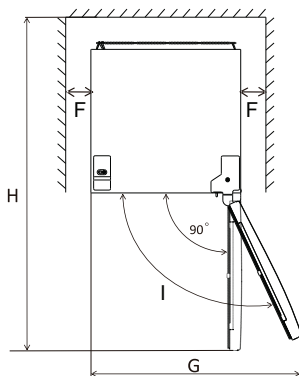
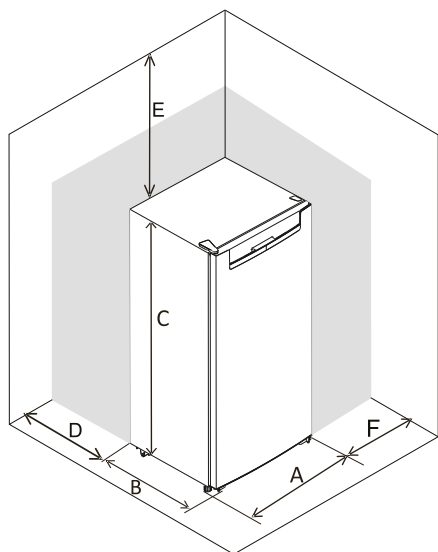
13. Maak de deurdichtingen van de koelkast en diepvriezer los en maak ze terug vast nadat u ze omgedraaid heeft.



Installatie

Vereiste ruimte

Zorg ervoor dat de deur vlot geopend kan worden.

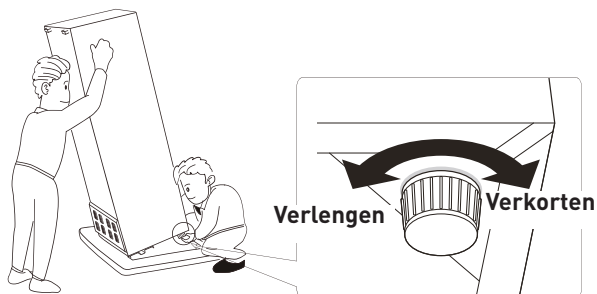


A	500
B	560
C	840
D	min = 50
E	min = 50
F	min = 50
G	855
H	1110

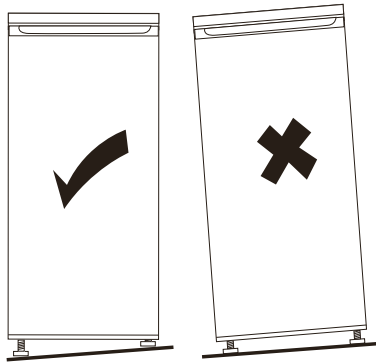
Opmerking: Dit koeltoestel werd niet ontworpen om in een keuken ingebouwd te worden.

Het toestel waterpas plaatsen

Pas de twee verstelbare voetjes aan de voorkant van het toestel aan.



Indien het toestel niet waterpas is, passen de deuren en magnetische dichtingen niet goed



Plaatsing

Plaats het toestel in een ruimte waarvan de omgevingstemperatuur overeenkomt met de klimaatklasse die aangegeven wordt op het typeplaatje van het toestel.

voor koeltoestellen met klimaatklasse:

- uitgebreid gematigd: Dit koeltoestel werd ontworpen voor gebruik bij een omgevingstemperatuur van 10 tot 32° C (SN; (SN)
- gematigd: Dit koeltoestel werd ontworpen voor gebruik bij een omgevingstemperatuur van 16 tot 32° C (N)
- subtropisch: Dit koeltoestel werd ontworpen voor gebruik bij een omgevingstemperatuur van 16 tot 38° C (ST)
- tropisch: Dit koeltoestel werd ontworpen voor gebruik bij een omgevingstemperatuur van 16 tot 43° C (T)

Locatie

- Dit toestel dient ver van warmtebronnen geïnstalleerd te worden, zoals radiatoren, boilers, direct zonlicht enzovoort. Zorg erop dat de lucht vrij achter het toestel kan circuleren.
- Indien het toestel onder een muurelement wordt geplaatst, moet de afstand tussen de bovenkant van het toestel en het muurelementen minstens 50 mm zijn voor een optimale werking van het toestel.
- In de mate van het mogelijke is het steeds wenselijk het toestel niet onder muurelementen te plaatsen. Met één of meerdere verstelbare poten aan de onderkant van het toestel kan het toestel perfect waterpas geplaatst worden.

- Dit koeltoestel werd niet ontworpen om in een keuken ingebouwd te worden;

WAARSCHUWING

Het moet mogelijk zijn de stekker van het toestel uit het stopcontact van de netspanning te halen; het stopcontact moet dus na de installatie gemakkelijk toegankelijk zijn.

Elektrische aansluiting

- Controleer of de spanning en de frequentie op het typeplaatje overeenkomen met de elektrische voeding bij u thuis voor u de stekker van het toestel in het stopcontact steekt. Dit toestel dient geaard te worden.
- De stekker van de voedingskabel heeft hiervoor een contact. Wanneer het stopcontact van uw elektrische voeding niet op de aarding aangesloten is, dient u een beroep te doen op een gekwalificeerd elektricien en het toestel te laten aansluiten op een afzonderlijke aardingslijn in overeenstemming met de geldende reglementen.
- De fabrikant kan geenszins aansprakelijk gesteld worden indien bovenstaande voorzorgsmaatregelen niet in acht genomen worden. Het toestel is in overeenstemming met de Europese regelgeving.

Dagelijks gebruik

Eerste gebruik

De binnenkant schoonmaken

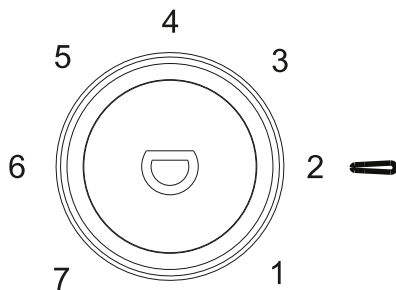
Was de binnenkant en alle accessoires met lauw water en neutrale zeep om de typische geur van nieuwe toestellen te verwijderen voor u het toestel voor de eerste keer gebruikt. Droog alles zorgvuldig af.

BELANGRIJK

Gebruik geen schoonmaak- of schuurmiddelen, aangezien ze de afwerking kunnen beschadigen.

Temperatuurinstelling

- Steek de stekker in het stopcontact. De binnentemperatuur wordt door een thermostaat geregeld. Er zijn 8 instellingen. 1 is de warmste stand, 7 de koudste en op 0 wordt het toestel uitgeschakeld.
- Het toestel heeft misschien niet de juiste temperatuur wanneer het bijzonder warm is of wanneer u de deur vaak opent.



Dagelijks gebruik

- Plaats de verschillende voedingsmiddelen op hun plaats volgens onderstaande tabel.

Koelkast	Soort voeding
Deur en deurrekken	<ul style="list-style-type: none"> • Voeding met natuurlijke bewaarmiddelen zoals confituur, sap, dranken, specerijen. • Plaats hier geen bederfelijk voedsel.

Koelkast	Soort voeding
Groentelade	<ul style="list-style-type: none"> Fruit, kruiden en groenten moeten afzonderlijk in de groentelade geplaatst worden. Bewaar geen bananen, uien, aardappelen of look in de koelkast.
Legplank van koelkast	<ul style="list-style-type: none"> Zuivel, eieren Voeding die niet gekoeld moet worden, zoals bereide voeding, charcuterie, restjes.
Diepvriesvak	<ul style="list-style-type: none"> Voedsel dat lang bewaard kan blijven.

Vers voedsel invriezen

- Er kan verse voeding ingevroren worden in het diepvriesvak. U kan er ook diepvriesvoeding voor lange tijd in bewaren.
- Plaats verse voeding in het diepvriesvak om het in te vriezen.

OPGELET

Dit diepvriesvak is een vak met 3 sterren (diepvriezer $-18\text{ }^{\circ}\text{C}$). Het is niet geschikt om grote hoeveelheden voedingsmiddelen in minder dan 24 uur in te vriezen.

Diepgevroren voeding bewaren

- Wanneer u het toestel voor het eerst aanzet of na een periode waarin het niet gebruikt werd, dient u het toestel minstens 2 uur te laten werken op de hoogste instelling voor u er producten in plaatst.

BELANGRIJK

Wanneer de voeding per ongeluk ontdooid werd, bijvoorbeeld wanneer een stroomonderbreking langer geduurd heeft dan de waarde vermeld bij de technische kenmerken onder "Toenametijd" moet de ontdooidde voeding snel opgegeten worden of onmiddellijk gekoeld en na het bereiden opnieuw ingevroren worden.

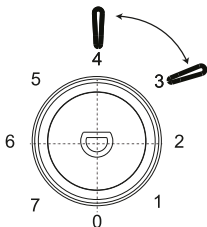
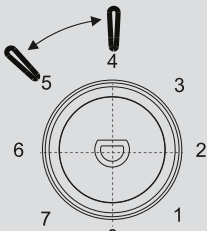
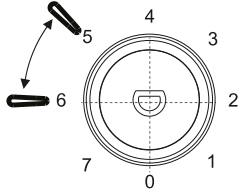
Ontdooien

- Diepgevroren of ingevroren voeding kan in de koelkast ontdooid worden voor gebruik of op kamertemperatuur, afhankelijk van de tijd die u heeft.
- Kleine stukjes kunnen ook uit de diepvriezer gehaald worden en direct bereid worden. In dit geval is de bereidingstijd langer.

Ijsblokjes

- Dit toestel kan uitgerust zijn met een of twee bakjes om ijsblokjes te maken.

Aanbevolen temperatuurinstelling

Omgevingstemperatuur	Diepvriezer	Koelkast
Zomer	/	 <p>Stel in op 2~4</p>
Normaal	/	 <p>Stel in op 4~5</p>
Winter	/	 <p>Stel in op 5~6</p>

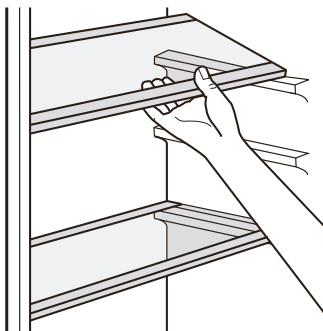
De bovenstaande informatie is bedoeld als een aanbeveling voor temperatuurinstellingen voor gebruikers.

Impact op het bewaren van voedsel

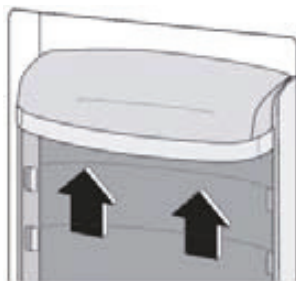
- Volgens de aanbevolen instelling is het beter voeding niet langer dan 3 dagen in de koelkast te bewaren.
- Volgens de aanbevolen instelling is het beter voeding niet langer dan 1 maand in de diepvriezer te bewaren.
- De beste bewaartijd kan korter zijn met andere instellingen.

ToebehorenVerplaatsbare platen

De zijden van de koelkast zijn uitgerust met een reeks steunen zodat u de platen kan plaatsen zoals u wil.

Plaatsing van de deurrekken

De deurrekken kunnen op verschillende hoogtes geplaatst worden om voedingsverpakkingen van verschillende groottes te bewaren. Ga als volgt te werk om dit aan te passen: Trek het rek geleidelijk aan in de richting van de pijlen tot het los komt. Plaats het dan zoals u wilt.



Nuttige tips en trucs

Hieronder vindt u een aantal tips om uw diepvriezer zo goed mogelijk te benutten.

- Verdeel de voeding in kleine porties zodat ze snel volledig kan afkoelen en u later enkel de hoeveelheid die u nodig heeft dient te ontdooien.
- Verpak de voeding in aluminiumfolie of polyethyleen en zorg ervoor dat de verpakkingen luchtdicht zijn.
- Zorg ervoor dat niet-ingevroren voeding niet in contact komt met reeds ingevroren voeding om te vermijden dat de temperatuur ervan stijgt.
- Magere producten kunnen beter en langer bewaard worden dan vette. Zout vermindert de bewaartijd van voeding.
- Waterijs kan de huid verbranden wanneer u het onmiddellijk nadat u het uit de diepvriezer neemt eet.
- Wij raden u aan de datum van het invriezen op elke verpakking te noteren zodat u kan zien hoelang ze reeds ingevroren zijn.

Tips om ingevroren voeding te bewaren

Om de beste resultaten met dit toestel te bereiken dient u:

- Ervoor te zorgen dat commercieel ingevroren voeding juist bewaard wordt door de handelaar;
- Ervoor te zorgen dat de ingevroren voeding zo snel mogelijk van de winkel naar de diepvriezer gebracht wordt;
- Ervoor te zorgen dat u de deur niet te vaak opent en ze niet langer open laat dan strikt noodzakelijk.
- Eens voeding ontdooid is, gaat de kwaliteit ervan snel achteruit en kan ze niet opnieuw ingevroren worden;

- Bewaar de voeding niet langer dan aangegeven door de voedselproducent.

Tips voor het koelen van verse voeding

Voor de beste resultaten:

- Bewaar geen warme voeding of verdampende vloeistoffen in de koelkast
- Bedek of verpak voeding, zeker wanneer ze een sterke smaak heeft
- Levensmiddelen (alle soorten): verpak in zakken van polyethyleen en plaats op de glazen legplanken boven de groentelade.
- Bewaar slechts een of maximum twee dagen voor de voedselveiligheid.
- Bereide voeding, koude schotels, enz...: Dek ze af en plaats ze op eender welke plank.
- Fruit en groenten: Moeten grondig schoongemaakt worden en in de speciale lades geplaatst worden.
- Boter en kaas: moeten in luchtdichte doosjes geplaatst worden of in aluminiumfolie gewikkeld of in zakken in polyethyleen opgeborgen worden om zoveel mogelijk lucht te verwijderen.
- Melkflessen: Moeten afgesloten kunnen worden en in de deurrekken geplaatst.
- Bananen, aardappelen, uien en look mogen niet in de koelkast bewaard worden indien ze niet verpakt zijn.

Reiniging en onderhoud

Omwille van de hygiëne moet de binnenkant van het toestel, inclusief de accessoires, regelmatig schoongemaakt worden.

OPGELET

Het toestel mag niet aangesloten zijn op netspanning tijdens het schoonmaken. Risico op elektrische schok! Schakel het toestel uit, trek de stekker uit het stopcontact of verwijder de zekering vooraleer u het toestel reinigt. Reinig het toestel nooit met een stoomreiniger. Er kan zich vocht ophopen in de elektrische componenten wat kan leiden tot elektrische schokken! De hete dampen kunnen de plastic onderdelen beschadigen. Het toestel dient droog te zijn alvorens het in werking wordt gesteld.

BELANGRIJK

Essentiële oliën en organische solventen (bijv. citroen- of sinaasappelschil of -sap, boterzuur, detergent dat zoutzuur bevat), kunnen de plastic onderdelen beschadigen.

- Laat deze stoffen niet in contact komen met onderdelen van het toestel.
- Gebruik geen schuurmiddelen
- Haal het voedsel uit de diepvriezer. Plaats ze goed afgedekt op een koude plaats.
- Schakel het toestel uit en trek de stekker uit het stopcontact, of schakel de verzekering uit of verwijder ze vooraleer u het toestel reinigt.

- Reinig het toestel en de accessoires binnenin met een doek en lauw water. Spoel ze daarna af met zuiver water en droog ze af.
- Zodra alles goed droog is, kunt u het toestel opnieuw inschakelen.

De diepvriezer ontdooien

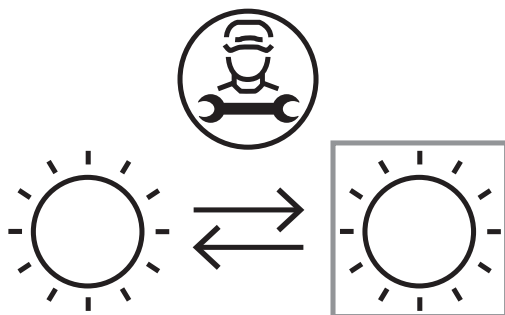
Het diepvriesvak geraakt binnenin langzaam aan bedekt met ijs. Dit dient verwijderd te worden. Gebruik nooit scherpe metalen voorwerpen om het ijs te verwijderen van de verdamper aangezien u hem zou kunnen beschadigen.

Wanneer er veel ijs is, dient u het diepvriesvak als volgt volledig te ontdooien:

- Haal de stekker uit het stopcontact;
- Verwijder alle voeding. Verpak ze in enkele lagen krantenpapier en plaats ze op een koude plaats;
- Houd de deur open en plaats een teiltje onder het toestel om het dooiwater op te vangen.
- Droog de binnenkant zorgvuldig af wanneer het vak volledig ontdooit is.
- Steek de stekker terug in het stopcontact om het toestel terug in te schakelen.

De lamp vervangen

- Het lampje binnenin is een ledlamp. Neem contact op met een gekwalificeerd technicus om de lamp te vervangen.



Foutcodes

Bij fouten knippert de led verschillende keren zoals aangegeven in onderstaande tabel.

Oorzaak	De led aan de binnenkant knippert
Temperatuursensor van de koelkast defect	1 x
Deur van de koelkast is langer dan 60 seconden open.	3 x

Probleemoplossing

OPGELET

Trek de stekker uit voordat u aan het toestel werkt. Enkel gekwalificeerde elektriciens of andere bevoegde personen mogen herstellingen die niet in deze handleiding vermeld worden uitvoeren.

BELANGRIJK

Het toestel maakt geluiden in normale werkingsomstandigheden (compressor, circulatie van koelvloeistof).

Probleem	Mogelijke oorzaak	Oplossing
Het toestel werkt niet.	De temperatuurregelaar staat op 0.	Plaats de regelaar op een ander getal om het toestel aan te zetten.
	De stekker zit niet of niet goed in het stopcontact.	Steek de stekker in.
	De zekering is doorgebrand of defect.	Controleer de zekering, vervang ze indien nodig.
	Het stopcontact is kapot.	Storingen aan de elektriciteit dienen verholpen te worden door een elektricien.
Het voedsel is te warm.	De temperatuur is niet juist ingesteld.	Zie sectie Temperatuurinstelling.
	De deur stond gedurende lange tijd open.	Open de deur niet langer dan nodig.
	Er werd de afgelopen 24 uur een grote hoeveelheid warme voeding in het toestel geplaatst.	Zet de temperatuurregelaar tijdelijk op een koudere stand.
	Het toestel bevindt zich in de buurt van een warmtebron.	Zie sectie Locatie.

Probleem	Mogelijke oorzaak	Oplossing
Het toestel koelt te hard.	De temperatuur is te koud ingesteld.	Draai tijdelijk de temperatuurregelregelaar op een warmere stand.
Vreemde geluiden.	Het toestel is niet waterpas. Het toestel raakt de muur of andere voorwerpen.	Verstel de voetjes. Verplaats het toestel een beetje.
	Een onderdeel, bijvoorbeeld een leiding aan de achterkant van het toestel, komt in contact met een ander deel van het toestel of met de muur.	Buig indien nodig dit onderdeel voorzichtig zodat het wat verder weg is.
Water op de vloer	De waterafvoeropening is verstopt.	Zie sectie Reiniging en onderhoud.
De zijpanelen zijn warm.	Dat is normaal. De onderdelen voor warmtewisseling bevinden zich in de zijpanelen.	Doe handschoenen aan om de zijpanelen aan te raken.

Neem contact op met de Klantendienst indien het probleem zich opnieuw voordoet.

¡Gracias!

Gracias por elegir este producto VALBERG. Seleccionados, probados y recomendados por ELECTRO DEPOT, los productos de la marca VALBERG son fáciles de usar, fiables y de un acabado impecable. Gracias a este aparato, puede estar seguro de que cada uso le proporcionará satisfacción.

Bienvenido a ELECTRO DEPOT.

Visite nuestra página web: www.electrodepot.es



A

**Descripción del
aparato**

Descripción del aparato

B

**Utilización del
aparato**

Invertir la puerta
Instalación
Uso diario

C

Información práctica

Consejos y sugerencias útiles
Limpieza y mantenimiento
Resolución de problemas

Descripción del aparato

- 1 Congelador
- 2 Termostato y luz
- 3 Baldas de cristal
- 4 Tapa del cajón para verduras
- 5 Cajón para verduras
- 6 Patas niveladoras
- 7 Estantes de puerta

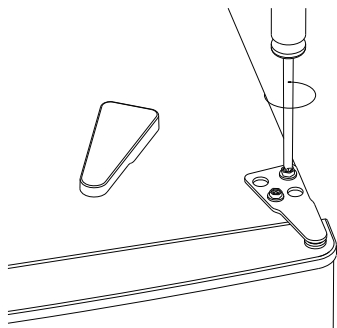
La ilustración sirve únicamente como referencia, para más detalle compruebe su aparato.

Invertir la puerta

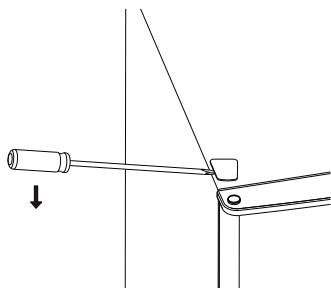
Herramientas requeridas: Destornillador de estrella, destornillador plano y llave Allen.

- Asegúrese de que el aparato está desenchufado y vacío.
- Para retirar la puerta, es necesario inclinar el aparato hacia atrás. Debe apoyar el aparato sobre algo sólido para que no se deslice durante el proceso de inversión de la puerta.
- Debe guardar todas las piezas que retire para volver a instalar la puerta.
- No coloque el aparato en posición horizontal, ya que esto puede dañar el sistema de refrigeración.
- Durante el montaje, recomendamos que el aparato sea manipulado por dos personas.

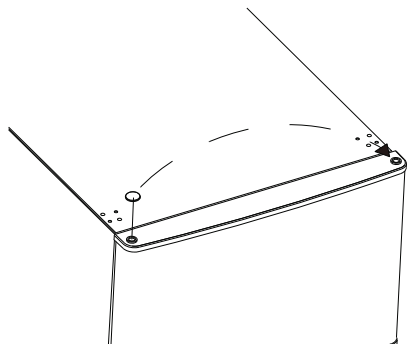
1. Retire la tapa de la bisagra y luego desatornille el soporte de la bisagra.



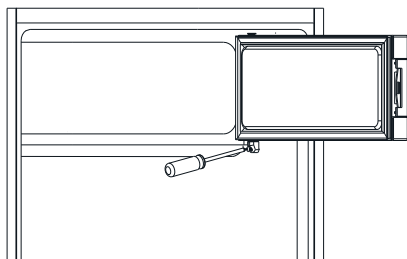
2. Retire la tapa del tornillo izquierdo superior.



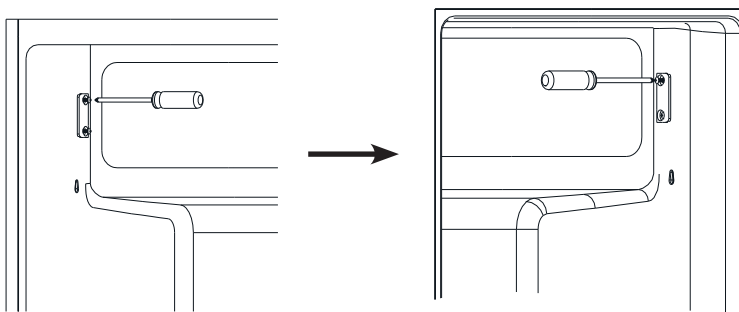
3. Mueva la tapa central del lado izquierdo al lado derecho. Y después, levante la puerta superior y colóquela sobre una superficie acolchada para evitar que se arañe.



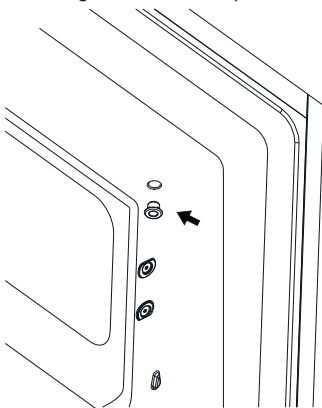
4. Desatornille la bisagra inferior de la puerta del congelador. Después, retire la puerta y colóquela sobre una manta suave para evitar que se arañe.



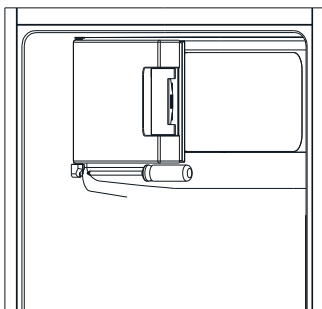
5. Mueva el cajón de la puerta del lado izquierdo al lado derecho.



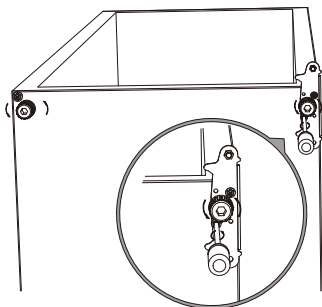
6. Mueva la tapa del orificio de la bisagra del lado izquierdo al lado derecho.



7. Gire la puerta del congelador y coloque la bisagra en el lado izquierdo. Y después, fije la puerta por el cajón.

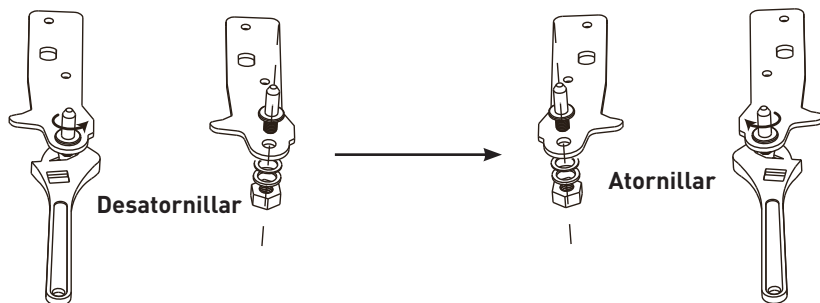


8. Desatornille la bisagra inferior. Luego retire las patas ajustables de ambos lados.

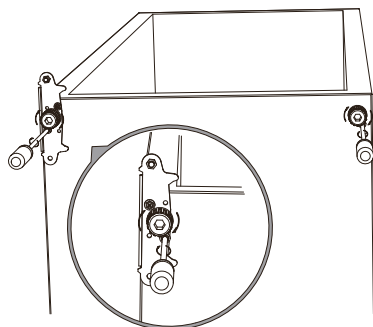


Nota: retire este tornillo si está presente en el aparato.

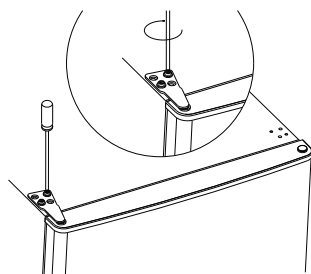
9. Desatornille y retire el pasador de la bisagra inferior, dele la vuelta al soporte y vuelva a colocarlo.



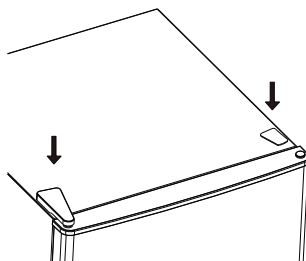
10. Vuelva a colocar el soporte colocando el pasador de la bisagra inferior. Vuelva a colocar ambas patas ajustables.



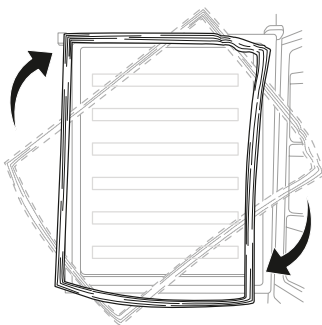
11. Coloque la puerta en su lugar. Asegúrese de que la puerta está alineada horizontal y verticalmente de modo que las juntas estén cerradas por todos los lados antes de apretar la bisagra superior. Inserte el soporte de la bisagra y atorníllelo a la parte superior del aparato. Utilice una llave para apretarlo en caso necesario.



12. Coloque la tapa de la bisagra y la tapa del tornillo en su sitio.



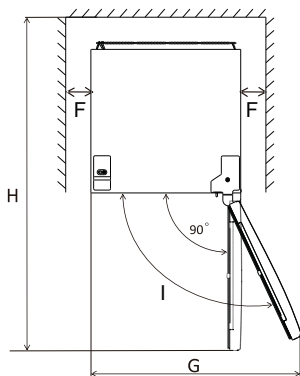
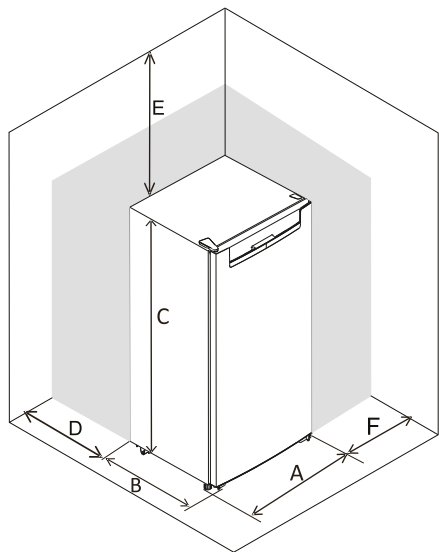
13. Retire las juntas de la puerta del frigorífico y del congelador y luego fíjelas después de girarlas.



Instalación

Espacio requerido

Deje suficiente espacio para poder abrir la puerta.

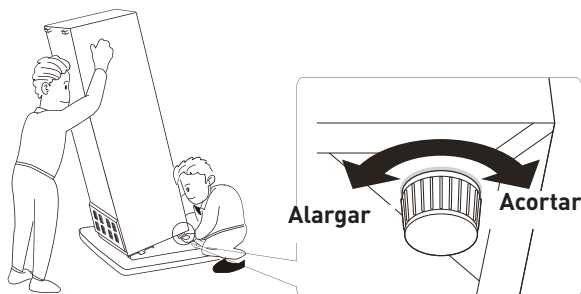


A	500
B	560
C	840
D	mín. = 50
E	mín. = 50
F	mín. = 50
G	855
H	1110

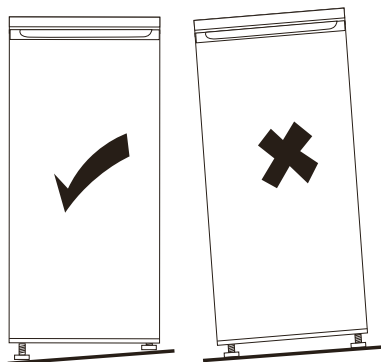
Nota: Este aparato de refrigeración no está diseñado para ser utilizado como aparato empotrado.

Nivelación del aparato

Para ello, ajuste las dos patas niveladoras en la parte delantera de la unidad.



Si el aparato no está nivelado, las puertas y la alineación de la junta magnética no encajarán adecuadamente



Colocación

Instale este aparato en un lugar donde la temperatura ambiente corresponda a la clase climática indicada en la placa de características del mismo:

para aparatos frigoríficos con clase climática:

- templado extendido: este aparato de refrigeración está diseñado para ser utilizado a temperaturas ambiente que oscilen entre 10 °C y 32 °C ;(SN)
- templado: este aparato de refrigeración está diseñado para ser utilizado a temperaturas ambiente que oscilen entre 16 °C y 32 °C ;(N)
- subtropical: este aparato de refrigeración está diseñado para ser utilizado a temperaturas ambiente que oscilen entre 16 °C y 38 °C ;(ST)
- tropical: este aparato de refrigeración está diseñado para ser utilizado a temperaturas ambiente que oscilen entre 16 °C y 43 °C ;(T)

Ubicación

- El aparato debe instalarse lejos de fuentes de calor como radiadores, calderas, luz solar directa, etc. Asegúrese de que el aire pueda circular libremente por la parte posterior del aparato.
- Para garantizar un mejor rendimiento, si el aparato se coloca debajo de un mueble en voladizo, la distancia mínima entre la parte superior del aparato y el mueble debe ser de al menos 50mm.

- Sin embargo, lo ideal es que el aparato no se coloque debajo de ningún mueble que sobresalga. El aparato se puede nivelar con exactitud gracias a las dos patas ajustables situadas en la parte inferior.
- Este aparato de refrigeración no está diseñado para ser utilizado como aparato empotrado;

ADVERTENCIA

Debe ser posible desconectar el aparato de la red eléctrica; el enchufe debe quedar fácilmente accesible después de la instalación.

Conexión eléctrica

- Antes de enchufar el aparato, asegúrese de que el voltaje y la frecuencia que se muestran en la placa de características correspondan con el suministro eléctrico de su hogar. El aparato debe estar conectado a tierra.
- El enchufe del cable de alimentación está provisto de un contacto para ello. Si la toma de corriente doméstica no está conectada a tierra, conecte el aparato a una toma de tierra separada de acuerdo con la normativa vigente y consulte con un electricista cualificado.
- El fabricante declina toda responsabilidad si no se respetan las precauciones de seguridad anteriores. Este aparato cumple con las directivas de la CEE.

Uso diario

Primera vez que utiliza el aparato

Limpieza del interior

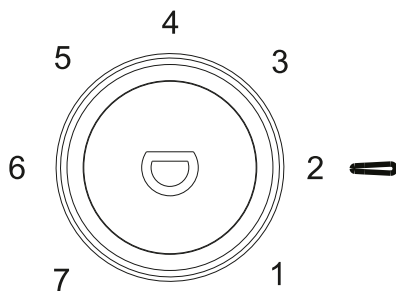
Antes de utilizar el aparato por primera vez, limpie el interior y todos los accesorios con agua tibia y un poco de jabón neutro para eliminar el olor típico de un producto nuevo y luego séquelos bien.

IMPORTANTE

No utilice detergentes o polvos abrasivos, ya que dañarán el acabado.

Ajuste de la temperatura

- Enchufe su aparato. La temperatura interna está controlada por un termostato. Dispone de 8 configuraciones. 1 es la configuración más caliente, 7 es la configuración más fría y 0 es para apagar el aparato.
- El aparato puede no funcionar a la temperatura correcta si hace mucho calor o si abre la puerta con frecuencia.



Uso diario

- Coloque los alimentos en diferentes compartimentos según la siguiente tabla.

Compartimentos del frigorífico	Tipo de comida
Puerta y estantes	<ul style="list-style-type: none"> • Alimentos con conservantes naturales, como mermeladas, zumos, bebidas y condimentos. • No introduzca alimentos perecederos.

Compartimentos del frigorífico	Tipo de comida
Cajón para verduras	<ul style="list-style-type: none"> Las frutas, las hierbas y las verduras deben colocarse por separado en el cajón para verduras. No introduzca plátanos, cebollas, patatas ni ajos en el frigorífico.
Bandeja del frigorífico	<ul style="list-style-type: none"> Productos lácteos, huevos Alimentos que no necesitan cocción, como alimentos preparados, fiambres o sobras.
Compartimento del congelador	<ul style="list-style-type: none"> Alimentos para conservar a largo plazo.

Congelación de alimentos frescos

- El compartimento del congelador es adecuado para congelar alimentos frescos y conservar alimentos congelados durante mucho tiempo.
- Coloque los alimentos frescos que vaya a congelar en el compartimento del congelador.

PRECAUCIÓN

Este compartimento de congelador es un compartimento de 3 estrellas (Congelador con $-18\text{ }^{\circ}\text{C}$), no es adecuado para congelar muchos alimentos en 24 horas.

Conservación de alimentos congelados

- Al encenderlo por primera vez o después de un largo periodo sin uso, antes de colocar el producto en el compartimento, deje que el aparato funcione al menos 2 horas con la configuración más alta.

IMPORTANTE

En caso de descongelación accidental, por ejemplo se ha cortado la electricidad durante más tiempo del valor mostrado en el cuadro de características técnicas debajo de «tiempo de aumento», los alimentos descongelados deben consumirse rápidamente o enfriarse inmediatamente y después volver a congelarse (después de cocinarse).

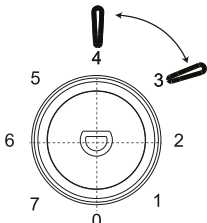
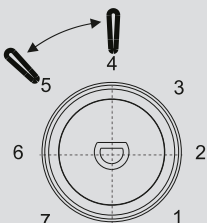
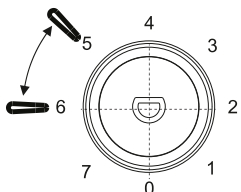
Descongelación

- Los alimentos congelados antes de ser utilizados se pueden descongelar en el compartimento del frigorífico o a temperatura ambiente según el tiempo disponible para ello.
- Los trozos pequeños pueden incluso cocinarse aún congelados directamente del congelador. En este caso, la cocción tardará más tiempo.

Cubitos de hielo

- Este aparato cuenta con una o varias cubiteras para hacer hielo.

Ajuste de temperatura recomendado

Temperatura ambiente	Compartimento del congelador	Compartimento del frigorífico
Verano	/	 <p>Ajuste en 2-4</p>
Normal	/	 <p>Ajuste en 4-5</p>
Invierno	/	 <p>Ajuste en 5-6</p>

La información anterior aporta a los usuarios recomendaciones sobre el ajuste de temperatura.

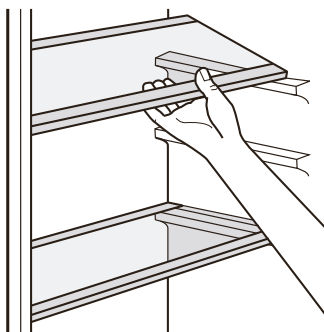
Impacto en el almacenamiento de alimentos

- Según la configuración recomendada, el tiempo de conservación óptimo del frigorífico es de menos de 3 días.
- Según la configuración recomendada, el tiempo de conservación óptimo del congelador es de menos de 1 mes.
- El tiempo de conservación puede reducirse con otras configuraciones.

Accesorios

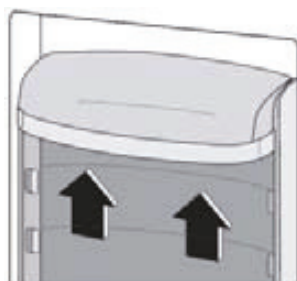
Estantes móviles

Las paredes del frigorífico están equipadas con una serie de guías para que pueda colocar los estantes como prefiera.



Colocación de los estantes de las puertas

Para poder introducir paquetes de alimentos de varios tamaños, los estantes de las puertas se pueden colocar a diferentes alturas. Para realizar estos ajustes proceda de la siguiente manera: tire gradualmente del estante en la dirección de las flechas hasta que se suelte y luego vuelva a colocarlo donde quiera.



Consejos y sugerencias útiles

Para ayudarle a aprovechar lo máximo posible el proceso de congelado, a continuación encontrará algunos consejos importantes:

- Prepare los alimentos en porciones pequeñas para que se enfríen rápida y completamente y para que, posteriormente, pueda descongelar solo la cantidad necesaria;
- Envuelva los alimentos en papel de aluminio o polietileno y asegúrese de que los envases estén herméticos;
- No deje que los alimentos frescos descongelados entren en contacto con los alimentos ya congelados, evitando así un aumento de la temperatura de los últimos;
- Los alimentos magros se conservan mejor y durante más tiempo que los grasos; la sal reduce el tiempo de conservación de los alimentos;
- El hielo, si se consume inmediatamente después de sacarlo del compartimento del congelador, puede provocar quemaduras por el hielo en la piel;
- Es aconsejable mostrar la fecha de congelación en cada paquete individual para permitirle retirarlos del compartimento del congelador, ya que posiblemente puede causar quemaduras en la piel por congelación.
- Es aconsejable mostrar la fecha de congelación en cada paquete individual para permitirle controlar el tiempo de conservación.

Consejos para conservar alimentos congelados

Para obtener el mejor rendimiento de este aparato debe:

- Asegurarse de que los alimentos congelados comercialmente fueron conservados adecuadamente por el minorista;
- Asegurarse de que los alimentos congelados son transportados desde la tienda hasta el congelador en el menor tiempo posible;
- No abrir la puerta frecuentemente ni dejarla abierta durante más tiempo del necesario.
- Una vez descongelados, los alimentos se estropean rápidamente y no se pueden volver a congelar;
- No superar el periodo de conservación indicado por el fabricante.

Sugerencias para la refrigeración de alimentos frescos

Para obtener el mejor rendimiento:

- No introduzca alimentos calientes o líquidos en evaporación en el frigorífico
- Cubra o envuelva la comida, especialmente si tiene un sabor fuerte
- Cocinados (todos los tipos): envuelva los alimentos en bolsas de polietileno y colóquelos en las baldas de vidrio encima del cajón de verduras.
- Por seguridad, almacene estos alimentos uno o dos días como máximo.
- Alimentos cocinados, platos fríos, etc.: estos alimentos deben taparse y pueden colocarse en cualquier estante.

- Frutas y verduras: deben lavarse muy bien y colocarse en los cajones especiales previstos para ellas.
- Mantequilla y queso: deben colocarse en recipientes herméticos especiales o envueltos en papel de aluminio o bolsas de polietileno para excluir la mayor cantidad de aire posible.
- Botellas de leche: deben tener un tapón y deben guardarse en los estantes de la puerta.
- Los plátanos, las patatas, las cebollas y los ajos, si no están envasados, no deben conservarse en el frigorífico.

Limpieza y mantenimiento

Por razones de higiene, el interior del aparato, incluidos los accesorios interiores, debe limpiarse con regularidad.

PRECAUCIÓN

El aparato no debe estar conectado a la red eléctrica durante la limpieza. ¡Peligro de descarga eléctrica! Antes de limpiarlo, apague el aparato y desconecte el enchufe de la red, o apague el disyuntor o el fusible. Nunca limpie el aparato con un limpiador a vapor. Se puede acumular humedad en los componentes eléctricos y esto podría provocar una descarga eléctrica. Los vapores calientes pueden dañar las piezas de plástico. El aparato debe estar seco antes de volver a ponerlo en funcionamiento.

IMPORTANTE

Los aceites etéreos y los disolventes orgánicos, como el zumo de limón o de naranja, el ácido butírico o los limpiadores que contienen ácido acético, pueden dañar las piezas de plástico.

- No permita que tales sustancias entren en contacto con las partes del aparato.
- No utilice limpiadores abrasivos
- Saque la comida del congelador. Guárdela en un lugar fresco, bien tapada.
- Apague el aparato y desconecte el enchufe de la red, o apague el disyuntor o el fusible.

- Limpie el aparato y los accesorios interiores con un paño y agua tibia. Después de limpiarlo, enjuáguelos con agua y séquelos.
- Una vez que todo esté seco, vuelva a poner el aparato en funcionamiento.

Descongelación del congelador

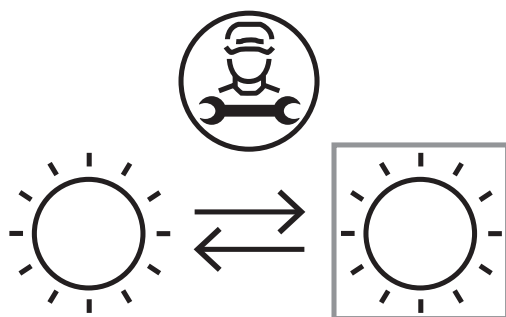
El compartimento del congelador, sin embargo, se cubrirá progresivamente de escarcha. Se debe retirar la escarcha. No utilice herramientas metálicas afiladas para rascar la escarcha del evaporador ya que podría dañarlo.

No obstante, cuando el hielo se pone muy grueso en el recubrimiento interno, se debe proceder a la descongelación de la siguiente manera:

- Saque el enchufe de la toma;
- Retire todos los alimentos almacenados envueltos en varias capas de papel de periódico y colóquelos en un lugar fresco;
- Mantenga la puerta abierta y coloque un recipiente debajo del aparato para recoger el agua de descongelación.
- Cuando la descongelación esté completa, seque el interior totalmente
- Vuelva a enchufar el aparato para ponerlo en funcionamiento de nuevo.

Reemplazar la bombilla

- La luz interior es de tipo LED. Para reemplazar la bombilla, contacte con un técnico cualificado.



Códigos de error

Si hay un error, la luz LED parpadeará varias veces como se indica en la siguiente tabla.

Causa	La luz LED interior parpadea
Fallo del sensor de temperatura del frigorífico	1x
La puerta del frigorífico no se cierra durante más de 60 seg.	3x

Resolución de problemas

PRECAUCIÓN

Antes de solucionar los problemas, desconecte la fuente de alimentación. Los problemas que no se especifican en este manual deben ser resueltos por un electricista cualificado o una persona competente.

IMPORTANTE

Es normal que el aparato emita algunos ruidos (compresor y circulación de refrigerante).

Problemas	Posible causa	Solución
El aparato no funciona.	El mando de regulación de temperatura está en el número «0».	Coloque el mando en otro número para encender el aparato.
	El enchufe de red no está enchufado o está suelto.	Introduzca el enchufe de red.
	El fusible se ha fundido o está defectuoso.	Compruebe el fusible y cámbielo si es necesario.
La comida está demasiado caliente.	El enchufe está defectuoso.	Las averías de la red deben ser corregidas por un electricista.
	La temperatura no está ajustada correctamente.	Consulte la sección Configuración de la temperatura inicial.
	La puerta ha estado abierta durante un período prolongado.	Abra la puerta solo el tiempo necesario.
	Se colocó una gran cantidad de comida caliente en el aparato en las últimas 24 horas.	Cambie la temperatura a un ajuste más frío temporalmente.
El aparato enfría demasiado.	El aparato está cerca de una fuente de calor.	Consulte la sección de ubicación de la instalación.
	La temperatura está ajustada demasiado fría.	Gire el mando de regulación de la temperatura a un ajuste más caliente temporalmente.

Problemas	Posible causa	Solución
Ruidos inusuales.	El aparato no está nivelado.	Reajuste las patas.
	El aparato toca la pared u otros objetos.	Mueva el aparato ligeramente.
	Un elemento, como un tubo, de la parte trasera del aparato, toca otra parte del aparato o la pared.	Si fuese necesario, doble con cuidado el elemento para que no moleste.
Hay agua en el suelo.	El orificio de drenaje de agua está bloqueado.	Consulte la sección Limpieza y cuidado.
Los paneles laterales están calientes.	Esto es normal. Las piezas de intercambio de calor están en los laterales.	Utilice guantes para tocar los laterales.

Si el error vuelve a aparecer, contacte con el servicio de posventa.

