

EN WARRANTY CONDITION
 This product is guaranteed for a period of 2 years from the date of purchase* against any failure resulting from a manufacturing or material defect. This warranty does not cover defects or damage resulting from incorrect installation, improper use or abnormal wear of the product.
 *as shown on the sales receipt.

FR CONDITION DE GARANTIE
 Ce produit est garanti pour une période de 2 ans à partir de la date d'achat*, contre toute défaillance résultant d'un vice de fabrication ou de matériau. Cette garantie ne couvre pas les vices ou les dommages résultant d'une mauvaise installation, d'une utilisation incorrecte ou de l'usure anormale du produit.
 *sur présentation du ticket de caisse.

NL GARANTIEVOORWAARDEN
 Dit product wordt gegarandeerd voor een periode van 2 jaar vanaf de aankoopdatum*, voor elke storing die het gevolg is van een fabricagefout of het materiaal. Gebreken of schade door slechte installatie, onjuist gebruik of abnormale slijtage van het product worden niet gedekt door deze garantie.
 *op vertoon van kassabon.

ES CONDICIONES DE GARANTÍA
 El certificado de garantía de este producto tiene una duración de 2 años a partir de la fecha de compra* que se limita a los defectos de fabricación y averías del material. Se excluyen de la garantía deficiencias o daños originados por una mala instalación, errores en la manipulación o por un uso inadecuado.
 *previa presentación del comprobante de compra.

MADE IN PRC

ELECTRO DEPOT
 1 route de Vendeville
 59155 FACHES-THUMESNIL
 FRANCE



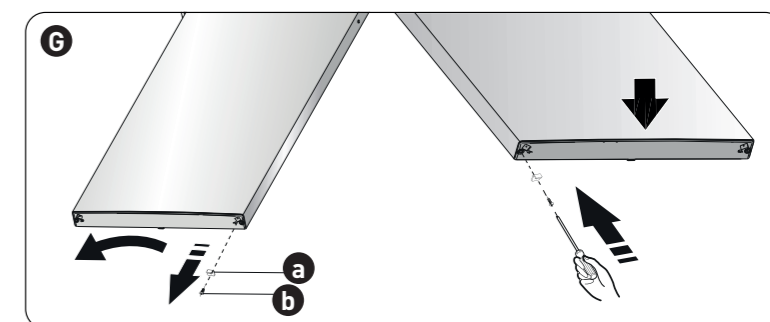
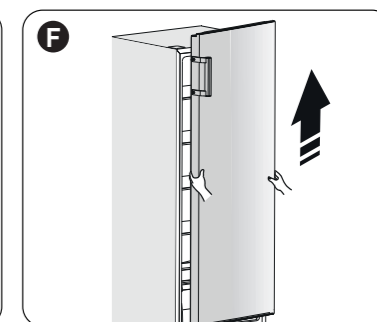
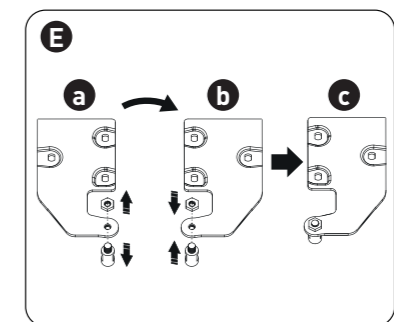
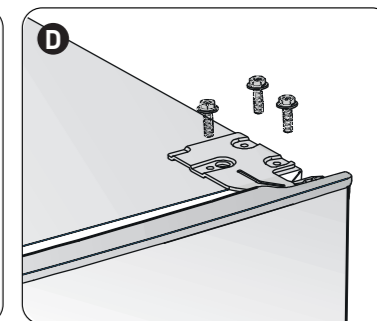
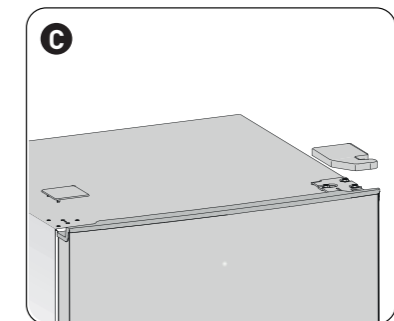
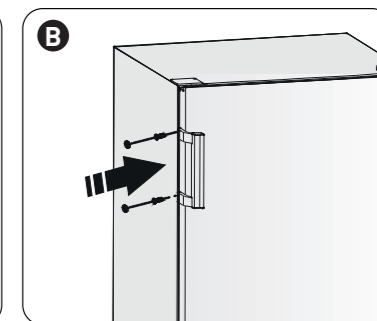
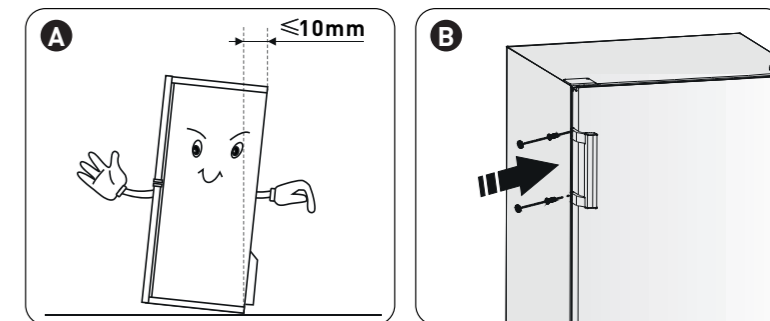
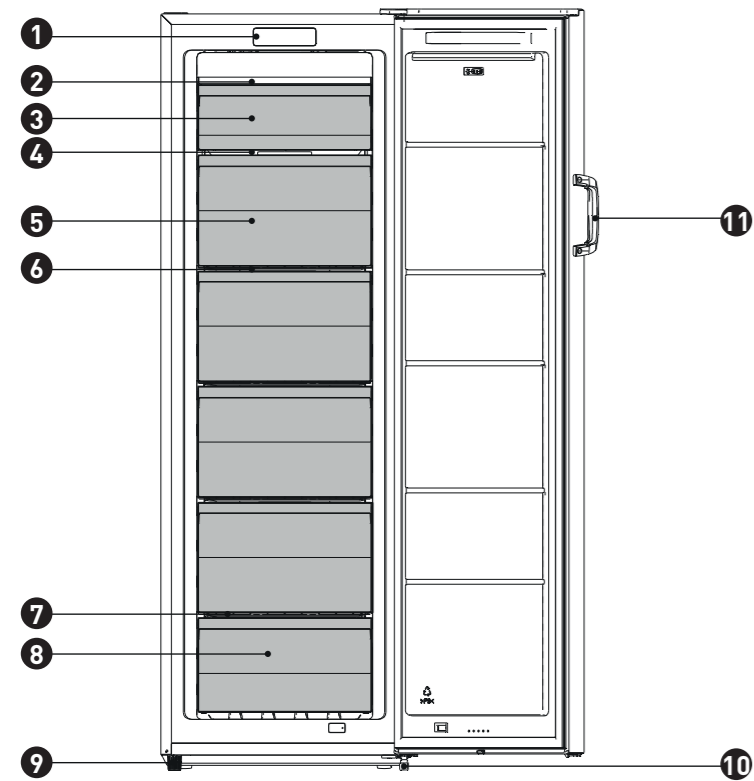
Freezer
 Congélateur
 Diepvries
 Congelador

967799 UF NF 194 E W180C

INSTRUCTIONS FOR USE02
CONSIGNES D'UTILISATION24
GEBRUIKSAANWIJZINGEN46
INSTRUCCIONES DE USO68



VALBERG



Thanks!

Thank you for choosing this VALBERG product. Chosen, tested and recommended by ELECTRO DEPOT, VALBERG branded products are easy to use, reliable, and of an impeccable standard. With every use of this appliance, you can be sure of complete satisfaction.

Welcome to ELECTRO DEPOT.

Visit our website: www.electrodepot.fr

Table of contents

A Overview of the appliance

Recommended ambient temperature range
Temperature control adjustment
Description of the appliance

B Using the appliance

Installing your new appliance
Reversing the door
Display controls
Using the appliance
Useful tips & advice

C Useful information

Cleaning & Maintenance
Troubleshooting
Storage tips

Recommended ambient temperature range

Respect the climate classes indicated in the product information on the appliance's nameplate. You can use this to check the recommended temperature range of the room where the appliance is located:

- SN: Between 10 and 32°C
- N: Between 16 and 32°C
- ST: Between 16 and 38°C
- T: Between 16 and 43°C

A multi-class appliance can handle the lowest and highest temperature of all classes covered. Using the appliance outside the recommended temperature range will lead to inferior performance and premature ageing.

Temperature control adjustment

For optimal use and to save energy, adjust the temperature control of the appliance according to the ambient temperature of the room, in which it is being used, and respect the climate class.

Refer to the product sheet to find out the climate class associated with the minimum and maximum recommended ambient temperatures for the appliance as well as the temperature setting recommended for storing food under optimal conditions.

The ambient temperatures in °C are given as a rough guide.

The set positions can be affected by the location of the appliance in the room, how often the door is opened or the load of food inside.

The thermostat may need to be changed to compensate for these factors.

Examples of locations:

Unheated room in winter like a garage in a cold region.

Kitchen/lounge area with normal heating.

Room that is not air-conditioned in summer in a hot region.

Description of the appliance

Appliance overview

- 1 Control panel
- 2 Ventilation duct
- 3 Flap
- 4 Glass shelf
- 5 Middle drawers
- 6 Middle shelves
- 7 Lower shelf
- 8 Lower drawer
- 9 Left adjustable foot
- 10 Right adjustable foot
- 11 Door handle

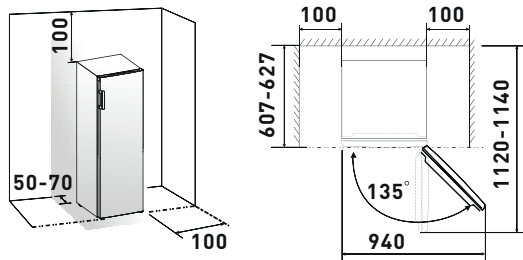
Installing your new appliance

Before using the electrical appliance for the first time, please consider the following tips.

Ventilation of the appliance

WARNING :

To improve the efficiency of the refrigeration system and save energy, it is necessary to maintain good ventilation around the appliance for heat dissipation. For this reason, there should be sufficient empty space around the refrigerator. It is advisable to have a clearance of 50-70 mm from the back of the wall, at least 100 mm from the top and at least 100 mm from the side of the wall and a clearance at the front to allow the doors to open to 135°. Please see the following diagrams.



PLEASE NOTE :

This electric appliance performs well in the climate classes from N to T shown in the table below. It may not function properly if exposed to a temperature below or above the range indicated below for a long period of time.

Climatic class	Room temperature
SN	+10°C to +32°C
N	+16°C to +32°C
ST	+16°C to +38°C
T	+16°C to +43°C

- Place your device in a dry place to avoid excessive moisture.
- Keep your device away from sunlight, rain and frost. Keep your device away from heat sources such as ovens, fires and heaters.

A Levelling the electric appliance

- For levelling and sufficient air circulation in the lower rear section of the appliance, the feet may need to be adjusted.
- You can adjust them manually by hand or by using an appropriate spanner.
- To allow the door to close automatically, tilt the top back 10mm.

B Installing a door handle

Remove the handle and screws from the bag, remove the protective films from the handle, position the handle on the right side of the door, attach it with screws and install the handle screw covers.

Reversing the door

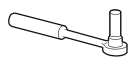
The direction in which the door opens can be changed from the right side (as supplied) to the left side, should the placement of the appliance require this change.

CAUTION :

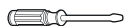
When changing the side where the door opens, the appliance must not be powered. Make sure that the plug is removed from the power socket.

Tools you will need

Not included



8mm socket spanner



Thin-bladed screwdriver



Putty knife



Phillips screwdriver

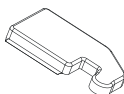


Pipe spanner



8mm spanner

Additional parts (in the plastic bag)



Left hinge cover

PLEASE NOTE :

If necessary, you can place the refrigerator on its rear side to gain access to the base. It can be placed on a soft foam packing or similar material to avoid damage to the rear panel of the refrigerator. To reverse the door, the following steps are generally recommended.

C Use a putty knife or thin-bladed screwdriver to fix the screw cover in the upper left corner of the refrigerator and the hinge cover in the upper right corner of the refrigerator.

D Unscrew the special self-tapping screws from the flange used to secure the upper right-hand part of the hinge using an 8 mm socket screwdriver or a spanner (when doing so, be sure to support the upper door with your hand).

E Remove the top pin from the hinge, transfer it to the upside-down side and tighten it firmly, then place it in a safe place.

F Remove the door from the lower door.

PLEASE NOTE :

When removing the door, be aware that the washers between the bottom hinge and the bottom of the bottom door may stick to the door. Do not lose them.

G Place it on a smooth surface with the panel facing up. Unscrew the screw **b** and the part **a**, then install them on the left side and tighten them firmly.

H Place the refrigerator on some soft foam packing or similar material. Remove the two lower parts of the adjustable feet and the lower part of the hinge by unscrewing the special self-tapping screws from the flange.

I Replace the lower part of the hinge to the left and secure it with the special self-tapping screws on the flange. Replace the lower parts of the adjustable feet on the other side and secure them.

J Transfer the door to the proper position, adjust the lower hinge part, insert the hinge pin into the lower hole of the door.

K Transfer the upper part of the hinge, insert the upper hinge pin into the upper hole of the door and adjust the position of the door (holding it with your hand), fixing the upper part of the hinge with the special self-tapping screws of the flange.

L Install the screw hole cover in the upper right corner of the refrigerator. Install the hinge cover (from the plastic bag) in the left corner. Put the other hinge cover in the plastic bag.

M Move the handle from the left side of the door to the right side.

CAUTION :

When changing the opening side of the door, the appliance must not be connected to a socket. The plug must be removed from the mains beforehand.

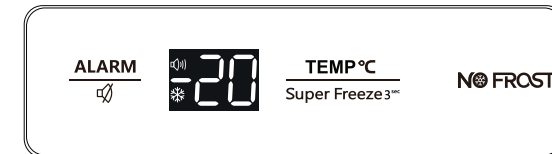
PLEASE NOTE :

1. Due to continuous changes in our products, your device may differ slightly from these instructions, but its functions and methods of use remain the same.
2. To get the best energy efficiency from this product, please place all shelves, drawers in their original position as shown in the illustration above.
3. If you remove a drawer, please rotate the shelf under the drawer 180° up and down for best energy efficiency.

Display controls

The control panel for controlling the temperature inside the freezer compartment is located inside the freezer.

Use your device according to the following control regulations, your device has the corresponding functions and modes as displayed on the control panels in the images below. When the unit is turned on for the first time, the backlighting of the display icons will start to work. When the doors are closed, the backlight will turn off.



Temperature setting

IMPORTANT :

For optimal food preservation, we recommend that you set the freezer temperature to -18°C . If you wish to change the temperature, follow the instructions below:

PLEASE NOTE :



Setting a high temperature will accelerate food waste.

CAUTION :

When you set the temperature, you are setting an average temperature for the entire cavity of the appliance. The temperatures in the cavity may vary from the display depending on the load of food in the freezer and its location. A low or too high ambient temperature may also affect the temperature in the unit.

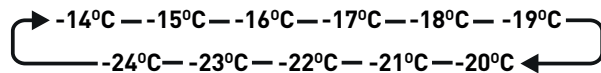
Mode**Super-Freeze**

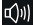
Super-Freeze mode lowers the temperature of the freezer so food will freeze more quickly. This can preserve more vitamins and nutrients from fresh food and will keep it fresher, longer.

- Press the “TEMP°C/Super freeze 3sec” button for 3 seconds to select the “Super-Freeze” function. The screen will display “-24” and the indicator light  will turn on.
- For the maximum amount of food to be frozen, several hours before placing fresh food in the freezer compartment is necessary, turn on Super-Freeze to avoid an unwanted temperature rise.
- If the freezing capacity indicated on the nameplate is to be used, switch on the freezing function 24 hours before fresh products are placed in the freezing compartment, and the freezing function will automatically stop after some time.
- To deactivate the “Super-Freeze” function, press the “TEMP°C/Super Freeze 3sec” button. If the freezing function is deactivated, the freezing indicator  blocks will block simultaneous operation and the appliance automatically switches to the temperature set before the freezing mode.

TEMP

- You can press the “TEMP°C/Super freeze 3sec” button to activate the freezer temperature control mode. When the button is pressed continuously, the temperature is adjusted in the following order.

**Door alarm**

- If the freezer door is opened for more than one minute, the alarm will sound and the  indicator will start to flash. The audible alarm is stopped by pressing the “ALARM” button and the light comes on but stops flashing.
- To save energy, avoid leaving the door open for long periods while the appliance is in use. The door alarm can also be stopped by closing the door.

Using the appliance

This section explains how to use most of the important features. We recommend you read this carefully before using the appliance.

Using the freezer compartment

The freezer compartment is suitable for storing foods that need to be frozen such as meat, fish, ice cream and other foods.

CAUTION :

Make sure that the bottles are not stored in the freezer as freezing can cause the bottles to break.

Shelves

- The shelves are suitable for storing food.
- To remove the shelf: lift it forward and pull toward the exterior.

IMPORTANT :

To make the most of the volume of the frozen food storage compartment, the user can remove one or more drawers from the appliance, depending on how it is used day-to-day. If you remove a drawer, please rotate the shelf under the drawer 180° up and down for best energy efficiency. To save energy, do not remove the bottom freezer drawer.

Drawers

The drawers can be used to store frozen food. First, raise the drawer to the horizontal position, then tilt it upwards to remove the drawer.

In reverse order, you can position the drawer correctly.

CAUTION :

Never close the freezer door when the shelves, flap or drawers are extended. This may damage them and the freezer door. This refrigeration appliance is not designed to be used as a built-in appliance.

Useful tips and advice

Energy-saving tips

We recommend you follow the advice below to save energy

- Try not to leave the door open for long periods to conserve energy.
- Make sure that the appliance is protected from any source of heat (direct sunlight, electric oven or cooker, etc.).
- Do not set the temperature to any colder than necessary.
- Do not store hot food or steaming liquid in the appliance.
- Place the unit in a well-ventilated room without humidity. Refer to the chapter on Installing your new appliance.
- If the diagram shows an appropriate combination of drawers, bins and shelves, do not adjust the combination as it has been determined as the most efficient energy configuration.

Tips for freezing

- When starting for the first time or after a period of downtime, leave the appliance running for at least 2 hours at the highest settings, before adding food to the compartment.
- Prepare food in small portions so that it can be quickly and completely frozen and only the amount required can be thawed later.
- Wrap food in aluminium foil or polyethene food packaging that is airtight.
- Do not allow fresh, unfrozen food to touch food that is already frozen to prevent its temperature from rising.
- If consumed immediately after removal from the freezer compartment, frozen products are likely to cause frostbite on the skin.
- It is recommended that each frozen package be labelled and marked to monitor the storage time.

Tips for storing frozen food

- Ensure that the frozen food has been stored correctly by the food retailer.
- Once the food has been thawed, it will deteriorate rapidly and must never be refrozen. Do not exceed the storage time indicated by the food manufacturer.

Turning off your appliance

If the appliance is to be switched off for an extended period of time, the following measures should be taken to prevent mould on the appliance.

1. Remove all the food.
2. Disconnect the power plug from the mains socket.
3. Clean and dry the interior thoroughly.
4. Ensure that all doors are wedged slightly ajar to allow air to circulate.

Cleaning and maintenance

For reasons of hygiene, the appliance should be cleaned regularly (both the exterior and the interior), at least every two months.

CAUTION:

The appliance must not be connected to the mains during cleaning, as there is a risk of electrocution. Before cleaning, switch off the appliance and remove the plug from the socket.

Exterior cleaning

Wipe down the control panel with a soft, clean cloth.

- Spray water on the cleaning cloth rather than directly on the surface of the appliance. This ensures an even distribution of moisture on the surface.
- Clean the doors, handles and cabinet surfaces with a mild detergent and then wipe dry with a soft cloth.

CAUTION:

Do not use sharp objects as they can scratch the surface. Do not use thinner, car polish, bleach, ethereal oil, abrasive agents or organic solvents such as benzene to clean your appliance.

These may damage the surface of the unit and cause a fire.

Interior cleaning

The interior of the appliance should also be cleaned regularly. This will be easier to clean when the amount of food inside is small. Wipe down the inside of the freezer with a dilute solution of baking soda, then rinse with warm water and a sponge or cloth. Wipe completely dry before replacing shelves and drawers. Wipe all surfaces and removable parts thoroughly before reinstalling the tray.

Although the appliance removes frost automatically, a layer of frost may appear on the inside walls of the freezer compartment if the door is opened frequently or for too long. If there is too much frost, plan on a time when the freezer is almost empty and proceed as follows:

1. Remove existing food baskets and accessories, disconnect the appliance from the mains power supply and leave the doors open. Ventilate the chamber properly to speed up the defrosting process.

2. Once defrosting is complete, clean your freezer as described above.

CAUTION:

Do not use sharp objects to remove frost from the freezer compartment. Only after the interior is dry should the appliance be switched on again and plugged into the main socket.

Cleaning the door seals

Make sure the door seals are kept clean. Sticky foods and drinks may adhere the seals to the cabinet and tear them when the door is opened. Wash the seals with mild detergent and hot water. Rinse and dry them thoroughly after cleaning.

CAUTION:

The appliance may only be switched on after the door seals are completely dry.

Troubleshooting

If you have a problem with your appliance or are concerned that the appliance is not working properly, there are some simple checks you can do before calling customer service, see below.

CAUTION :

Never try to repair the appliance yourself. If the problem persists after you have performed the checks listed below, contact a qualified electrician, authorised service technician or the store where you purchased the product.

Problem	Possible causes and solutions
The appliance is not working	Check that the power cord is correctly plugged into the electrical outlet.
	Check the fuse or circuit of your power supply and replace it if necessary. It is normal for the freezer not to operate during the defrost cycle, or for a short time after the appliance is switched on to protect the compressor.
Odours coming from the compartment	The interior may need cleaning
	Certain foods, containers or packages may cause odours.
Noise is emitted by the electric appliance	The sounds below are relatively normal:
	<ul style="list-style-type: none"> • Compressor running noises. • Air movement noises from the small fan motor in the freezer compartment or other compartments. • Gurgling sound similar to boiling water. • Bursting noise during the automatic defrost cycle. • Rattling noise before the compressor starts up.
	Other unusual noises are due to the following reasons and may need to be checked and addressed by you:
	<ul style="list-style-type: none"> • The appliance is not level. • The rear of the appliance is touching the wall. • Bottles or containers have fallen or are rolling around.

Problem	Possible causes and solutions
The motor is running permanently	<p>It is normal to hear the motor noise frequently as it needs to run more in the following circumstances:</p> <ul style="list-style-type: none"> • The temperature setting is colder than necessary • A large amount of hot food has recently been put into the appliance. • The temperature outside the unit is too high. • The doors have been left open for too long or have been opened too often. • After installing the appliance or if it has been switched off for a long period.
A layer of frost has formed in the compartment	Check that the air vents are not blocked by food and that the food is placed in the appliance in a way that allows sufficient ventilation. Ensure that the door is fully closed. To remove the frost, please refer to the "Maintenance & Cleaning" chapter.
The interior temperature is too warm	You may have left the doors open for too long or too frequently; or the doors are left open because of some obstacle; or the electrical appliance is located in a place with insufficient clearance at the sides, top and bottom.
The interior temperature is too cold	Increase the temperature as described in the "Display controls" chapter.
The doors do not close easily	Check whether the top of the refrigerator is tilted back by 10-15 mm to allow the doors to close automatically or whether something inside is keeping the doors from closing.
Water is leaking on the ground	The water tray (located at the back of the cabinet) may not be properly levelled or the drain spout (located under the top of the compressor housing) may not be positioned properly to drain water into the water tray or the water dispenser may be clogged. You may need to pull the fridge away from the wall to check the pan and spout.

Storage tips

Order	Compartment TYPE	Target storage temperature. [°C]	Suitable food
1	(***)*-Freezer	≤-18	Fish and seafood (fish, shrimp, molluscs, crustaceans), freshwater aquatic products and meat products (recommended for 3 months, the longer the shelf life, the more the food loses its taste and nutritional value), suitable for fresh frozen products.
2	***-Freezer	≤-18	Fish and seafood (fish, shrimp, molluscs, crustaceans), freshwater aquatic products and meat products (recommended for 3 months, the longer the shelf life, the more the food loses its taste and nutritional value) are not suitable for fresh frozen products.
3	** -Freezer	≤-12	Fish and seafood (fish, shrimp, molluscs, crustaceans), freshwater aquatic products and meat products (recommended for 2 months, the longer the shelf life, the more the food loses its taste and nutritional value) are not suitable for fresh frozen products.
4	*-Freezer	≤-6	Fish and seafood (fish, shrimp, molluscs, crustaceans), freshwater aquatic products and meat products (recommended for 1 month, the longer the shelf life, the more the food loses its taste and nutritional value) are not suitable for fresh frozen products.
5	0 stars	-6-0	Fresh pork, beef, fish, chicken, some packaged processed foods, etc. (recommended to eat in the same day, preferably not more than 3 days), Partially encapsulated processed foods (not frozen foods)

PLEASE NOTE :

Please store the different foods according to the compartments or target storage temperature of your purchased products.

- If the refrigerator is left empty for long periods of time, turn it off, clean it, dry it and leave the door open to prevent mould growth in the appliance.

To prevent any food contamination, please follow these instructions:

- Opening the door for long periods of time can cause a significant increase in temperature in the compartments of the appliance.
- Clean food contact surfaces and accessible drainage systems regularly.
- Store raw meat and fish in appropriate containers in the refrigerator so that they do not come into contact with or drip onto other foods.
- The two-star frozen food compartments are suitable for storing pre-frozen food, storing or making ice cream and ice cubes.
- The one-, two- and three-star freezer compartments are not suitable for freezing fresh food.

Merci !

Merci d'avoir choisi ce produit VALBERG. Choisis, testés et recommandés par ELECTRO DEPOT, les produits de la marque VALBERG vous assurent une utilisation simple, une performance fiable et une qualité irréprochable. Grâce à cet appareil, vous savez que chaque utilisation vous apportera satisfaction.

Bienvenue chez ELECTRO DEPOT.

Visitez notre site Internet : www.electrodepot.fr
www.electrodepot.be

VOTRE AVIS COMPTE !



PARTAGEZ
VOTRE EXPERIENCE
SUR LES PRODUITS

Parce que votre satisfaction est notre priorité, nous vous proposons de donner votre avis sur ce produit. Il sera transmis et analysé par nos équipes afin d'améliorer continuellement le produit.

Donnez votre avis sur <http://www.electrodepot.fr/avis-client>

Table de matières

A Aperçu de l'appareil

Températures ambiantes d'utilisation
Réglage du thermostat
Description de l'appareil

B Utilisation de l'appareil

Installer votre nouvel appareil
Inverser la porte
Commandes d'affichages
Utilisation de l'appareil
Conseils et astuces utiles

C Informations pratiques

Nettoyage et entretien
Dépannage
Conseils de stockage

Températures ambiantes d'utilisation

Il est recommandé de respecter les classes climatiques indiquées dans la fiche produit sur la plaque signalétique de l'appareil, cela vous permet de vérifier sous quelles plages de températures ambiantes l'appareil peut être utilisé :

- SN : Entre 10 et 32°C

- N : Entre 16 et 32°C

- ST : Entre 16 et 38°C

- T : Entre 16 et 43°C

Un appareil multi-classes peut gérer la température la plus basse et la plus élevée de l'ensemble des classes couvertes.

L'utilisation de l'appareil en dehors de la plage de température ambiante alterne ses performances et sa durée de vie.

Réglage du thermostat

Pour un usage optimal et des économies d'énergie, il est recommandé de régler le thermostat de l'appareil selon la température ambiante de la pièce d'utilisation et le respect de la classe climatique.

Veuillez vous référer à la fiche produit pour connaître la classe climatique associée aux températures ambiantes minimales et maximales adaptées à l'appareil ainsi que le réglage de température recommandé pour un stockage optimisé des denrées alimentaires.

Les degrés des températures ambiantes T°C sont donnés uniquement à titre indicatif.

L'emplacement dans la pièce, la fréquence d'ouverture de porte(s) ou encore le niveau de chargement en denrées alimentaires de l'appareil peuvent impacter les positions précisées.

La position de thermostat peut devoir être modifiée pour compenser ces facteurs.

Exemples de pièce d'utilisation :

Pièce non chauffée en hiver comme un garage dans une région froide.

Pièce à vivre normalement chauffée comme une cuisine.

Pièce non climatisée en été dans une région chaude.

Description de l'appareil

Vue de l'appareil

- 1 Panneau de contrôle
- 2 Canal de ventilation
- 3 Volet
- 4 Étagère en verre
- 5 Tiroirs centraux
- 6 Clayettes centrales
- 7 Clayette inférieure
- 8 Tiroir inférieur
- 9 Pied inférieur gauche réglable
- 10 Pied inférieur droit réglable
- 11 Poignée de porte

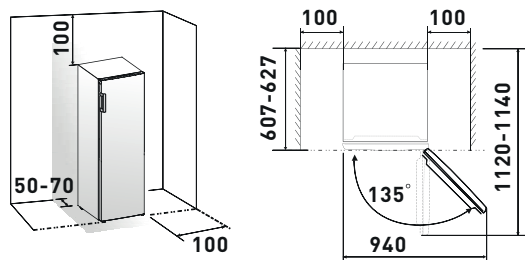
Installer votre nouvel appareil

Avant d'utiliser l'appareil électrique pour la première fois, vous devriez examiner les conseils suivants.

Ventilation de l'appareil

AVERTISSEMENT :

Afin d'améliorer l'efficacité du système de réfrigération, et économiser en énergie, il est nécessaire de maintenir une bonne ventilation autour de l'appareil pour la dissipation de la chaleur. Pour cette raison, un espace vide suffisant doit être disponible autour du réfrigérateur. Il est conseillé pour cela d'avoir un espace de 50 à 70 mm depuis l'arrière du mur, au moins 100 mm depuis le haut et au moins 100 mm depuis le côté du mur et un espace de dégagement à l'avant pour permettre aux portes d'ouvrir à 135°. Veuillez voir les diagrammes suivants.



REMARQUE :

Cet appareil électrique a de bonnes performances dans les classes de climat de N à T montrées dans le tableau ci-dessous. Il pourrait ne pas fonctionner correctement s'il est exposé une température en dessous ou au dessus de la plage indiquée ci-dessous pendant une longue période.

Classe climatique	Température ambiante
SN	+10°C à +32°C
N	+16°C à +32°C
ST	+16°C à +38°C
T	+16°C à +43°C

- Placez votre appareil dans un endroit sec pour éviter une grande humidité.
- Gardez votre appareil à l'abri de la lumière du soleil, de la pluie et de la gelée. Gardez votre appareil à l'abri des sources de chaleur telle que le four, le feu ou les appareils de chauffage.

A Nivellement de l'appareil électrique

- Pour un nivellement et une circulation d'air suffisant dans la section arrière basse de l'appareil, les pieds du bas peuvent nécessiter d'être ajustés.
- Vous pouvez les ajuster manuellement à la main ou en utilisant une clé appropriée.
- Pour permettre à la porte de se fermer automatiquement, inclinez le dessus en arrière de 10 mm.

B Installation d'une poignée de porte

Retirer la poignée et les vis du sac, retirer les films de protection de poignée, positionner la poignée sur le côté droit de la porte, la fixer à l'aide de vis et installez les caches-vis de poignée.

Inverser la porte

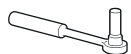
La direction dans laquelle la porte s'ouvre peut être changée du côté droit (comme fourni) au côté gauche, si jamais le placement de l'appareil nécessite ce changement.

ATTENTION :

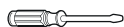
Lors du changement du côté où la porte s'ouvre, l'appareil ne doit pas être sous tension. Assurez-vous que la fiche est retirée de la prise d'alimentation.

Les outils dont vous aurez besoin

Non fourni



Clé à douille de 8mm



Tournevis à lame mince



Couteau à mastic



Tournevis cruciforme

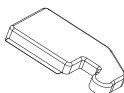


Clé à molette



Clé de 8mm

Pièces supplémentaires (dans le sac plastique)



Couverture de charnière gauche

REMARQUE :

Si nécessaire, vous pouvez poser le réfrigérateur sur sa face arrière afin d'avoir accès à la base, vous devez le poser sur un emballage en mousse souple ou un matériau similaire pour éviter d'endommager le panneau arrière du réfrigérateur. Pour inverser la porte, les étapes suivantes sont généralement recommandées.

C Utilisez un couteau à mastic ou un tournevis à lame mince pour fixer le cache-vis qui se trouve dans le coin supérieur gauche du réfrigérateur, et le cache-charnière qui se trouve dans le coin supérieur droit du réfrigérateur.

D Dévisser les vis autotaraudeuses spéciales de la bride qui servent à fixer la partie supérieure droite de la charnière à l'aide d'un tournevis à douille de 8 mm ou d'une clé (en le faisant, veuillez soutenir la porte supérieure avec votre main).

E Retirez l'axe supérieur de la charnière, transférez-le sur le côté renversé et serrez-le fermement, puis placez-le dans un endroit sûr.

F Retirer la porte de la charnière inférieure.

REMARQUE :

Lorsque vous retirez la porte, faites attention aux rondelles entre la charnière inférieure et le bas de la porte inférieure qui peuvent coller à la porte. Ne le perdez pas.

G La placer sur une surface lisse avec le panneau vers le haut. Desserrez la vis **b** et la pièce **a**, puis installez-les sur le côté gauche et serrez-les fermement.

H Posez le réfrigérateur sur un emballage en mousse souple ou un matériau similaire. Retirez les deux parties inférieures des pieds réglables et la partie inférieure de la charnière en dévissant les vis auto-taraudeuses de la bride spéciale.

I Replacer la partie inférieure de la charnière vers la gauche et la fixer avec les vis autotaraudeuses spéciales de la bride. Replacer les parties inférieures des pieds réglables sur un autre côté et les fixer.

J Transférer la porte à la position de propriété, ajuster la partie inférieure de charnière, introduire l'axe de charnière dans le trou inférieur de la porte.

K Transférer la partie supérieure de la charnière, introduire l'axe de la charnière supérieure dans le trou supérieur de la porte et ajuster la position de la porte (en la maintenant avec la main), en fixant la partie supérieure de la charnière avec les vis auto-taraudeuses spéciales de la bride.

L Installez le couvercle du trou de vis dans le coin supérieur droit du réfrigérateur. Installez le cachecharnière (qui se trouve dans le sac en plastique) dans le coin gauche. Mettez l'autre cache-charnière dans le sac en plastique.

M Déplacer la poignée du côté gauche de la porte vers le côté droit.

ATTENTION :

Lors du changement du côté d'ouverture de la porte, l'appareil ne doit pas être branché à une prise. Il faut débrancher la fiche du secteur au préalable.

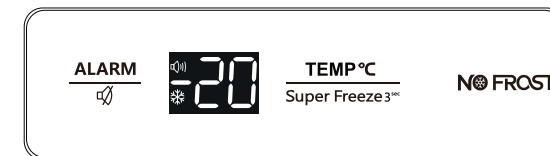
REMARQUE :

1. En raison de modifications incessantes de nos produits, votre appareil peut différer légèrement de ce mode d'emploi, mais ses fonctions et méthodes d'utilisation restent les mêmes.
2. Pour obtenir la meilleure efficacité énergétique de ce produit, veuillez placer toutes les étagères, tiroirs sur leur position d'origine comme indiqué dans l'illustration ci-dessus.
3. Si vous enlevez un tiroir, veuillez tourner la clayette sous le tiroir de 180 degrés vers le haut et vers le bas pour obtenir la meilleure efficacité énergétique.

Commandes d'affichages

Le panneau de commande permettant de contrôler la température à l'intérieur du compartiment du congélateur est situé à l'intérieur du congélateur.

Utilisez votre appareil selon les réglages de contrôle suivants, votre appareil possède les fonctions et les modes correspondants comme affichés sur les panneaux de contrôle des images ci-dessous. Lorsque l'appareil est mis sous tension pour la première fois, le rétroéclairage des icônes de l'écran commence à fonctionner. Les portes sont fermées, le rétro-éclairage s'éteint.



Réglage de la température

IMPORTANT :

Pour une conservation optimale des aliments, nous vous recommandons de régler la température du congélateur sur -18°C . Si vous voulez changer la température, suivez les instructions ci-dessous.

REMARQUE :

Le réglage d'une température élevée accélérera le gaspillage d'aliment.

MISE EN GARDE :

Lorsque vous réglez la température, vous réglez une température moyenne pour toute la cavité de l'appareil. Les températures dans la cavité peuvent varier par rapport à l'afficheur en fonction de la charge d'aliment dans le congélateur et leur emplacement. Une température ambiante basse ou trop haute peut également affecter la température dans l'appareil.

Mode

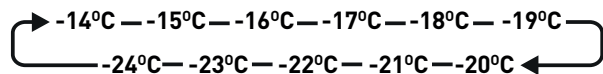
Super congélateur

Le mode Super congélateur permet de faire baisser la température du congélateur, pour que les aliments soient congelés plus vite. Cela peut retenir plus de vitamines et les nutriments des aliments frais et les conservera plus frais, plus longtemps.

- Appuyez sur la touche « TEMP°C / Super freeze 3sec » pendant 3 secondes pour sélectionner la fonction « Super Freeze ». L'écran affiche « -24 » et le voyant ❄️ s'allume.
- Pour une quantité maximale d'aliments à congeler, plusieurs heures avant de placer des aliments frais dans le compartiment du congélateur sont nécessaires, allumer le super congélateur pour éviter une augmentation de température non désirée.
- Si la capacité de congélation indiquée sur la plaque signalétique doit être utilisée, mettre en marche la surgélation 24 heures avant que les produits frais ne soient placés dans le compartiment de congélation, la fonction de congélation s'arrête automatiquement après quelques temps.
- Pour désactiver la fonction « super congélation », appuyez sur la touche « TEMP°C/Super freeze 3sec ». Si la fonction de surgélation est désactivée, l'indicateur de surgélation ❄️ bloque la simultanéité et l'appareil commute automatiquement sur la température réglée avant le mode de surgélation.

TEMP

- Vous pouvez appuyer sur la touche « TEMP°C/Super freeze 3sec » pour activer le mode de régulation de la température du congélateur. Lorsque vous appuyez sur le bouton de façon continue, la température est réglée dans l'ordre suivant.



Alarme de porte

- Si la porte du congélateur est ouverte pendant plus d'une minute, l'alarme se déclenche et l'indicateur 🔊 commence à clignoter. L'alarme sonore s'arrête en appuyant sur la touche « ALARM » et le voyant s'allume mais cesse de clignoter.
- Pour économiser de l'énergie, évitez de laisser la porte ouverte longtemps pendant l'utilisation de l'appareil. L'alarme de porte peut être arrêtée en fermant la porte.

Utilisation de l'appareil

Cette section vous explique comment utiliser la plupart des fonctionnalités importantes. Nous vous recommandons de les lire attentivement avant d'utiliser l'appareil.

Utilisation du compartiment du congélateur

Le compartiment du congélateur est approprié pour le stockage des aliments devant être congelés, tels que la viande, le poisson, les crèmes glacées et autres aliments.

MISE EN GARDE :

Assurez-vous que les bouteilles ne soient pas stockées dans le congélateur, car le gel peut faire briser les bouteilles.

Étagères

- Les étagères sont adaptées à la conservation des aliments.
- Pour retirer la clayette : la soulever par l'avant et la tirer vers l'extérieur.

IMPORTANT :

Afin de profiter au maximum du volume du compartiment de stockage des aliments congelés, l'utilisateur peut retirer un ou plusieurs tiroirs de l'appareil, en fonction de son utilisation quotidienne. Si vous enlevez un tiroir, veuillez tourner la clayette sous le tiroir de 180 degrés vers le haut et vers le bas pour obtenir la meilleure efficacité énergétique.

Afin d'économiser de l'énergie, ne pas retirer le tiroir inférieur du congélateur.

Tiroirs

Les tiroirs peuvent être utilisés pour ranger des aliments congelés. Relever d'abord le tiroir en position horizontale, puis le basculer vers le haut pour pouvoir enlever le tiroir.

Dans l'ordre inverse, vous pouvez positionner le tiroir correctement.

MISE EN GARDE :

Ne jamais fermer la porte du congélateur lorsque les étagères, le volet ou les tiroirs sont sortis. Cela pourrait les endommager, ainsi que la porte du congélateur. Cet appareil de réfrigération n'est pas conçu à être utilisé comme un appareil encastré.

Conseils et astuces utiles

Conseils pour économiser de l'énergie

Nous vous recommandons de suivre les astuces ci-dessous pour économiser de l'énergie

- Essayez de ne pas laisser la porte ouverte longtemps afin de conserver de l'énergie.
- Veillez à ce que l'appareil soit à l'abri de toute source de chaleur (exposition directe à la lumière du soleil, four électrique ou cuisinière, etc.)
- Ne réglez pas la température plus basse que nécessaire.
- Ne stockez pas de la nourriture chaude ou un liquide qui s'évapore dans l'appareil.
- Placez l'appareil dans une salle bien ventilée sans humidité. Veuillez vous référer au chapitre Installer votre nouvel appareil.
- Si le diagramme affiche une combinaison appropriée pour les tiroirs, les bacs et les étagères, n'ajustez pas la combinaison car elle est ainsi fixée comme étant la configuration d'énergie la plus efficace.

Conseils pour la congélation

- Lors de la première mise en marche ou après une période d'inutilisation, laissez l'appareil fonctionner pendant au moins 2 heures avec les réglages les plus élevés avant de mettre de la nourriture dans le compartiment.
- Préparez les aliments en petites portions afin qu'ils puissent être rapidement et complètement gelés et de permettre de décongeler ultérieurement uniquement la quantité requise.
- Emballez les aliments dans du papier d'aluminium ou des emballages alimentaires en polyéthylène qui sont étanches à l'air.
- Ne laissez pas les aliments frais non congelés toucher les aliments qui sont déjà gelés pour éviter l'élévation de température de ce dernier.
- Les produits glacés, s'ils sont consommés immédiatement après avoir été retirés du compartiment congélateur, causeront probablement des gelures sur la peau.

- Il est recommandé d'étiqueter et de cocher chaque colis congelé afin de suivre la durée de stockage.

Conseils pour le stockage des aliments surgelés

- Assurez-vous que les aliments congelés ont été entreposés correctement par le détaillant en alimentation.
- Une fois les aliments dégivrés, elles se détériorent rapidement et ne doivent pas être congelés à nouveau. Ne pas dépasser la durée de stockage indiquée par le fabricant de l'aliment.

Éteindre votre appareil

Si l'appareil doit être éteint pendant une période prolongée, les mesures suivantes doivent être prises pour éviter la moisissure sur l'appareil.

1. Retirez toute la nourriture.
2. Retirez la fiche d'alimentation de la prise principale.
3. Nettoyez et séchez entièrement l'intérieur.
4. Veillez à ce que toutes les portes soient légèrement calées pour permettre à l'air de circuler.

Nettoyage et entretien

Pour des raisons d'hygiène, l'appareil (aussi bien l'extérieur que les accessoires intérieur) doit être nettoyé régulièrement au moins tous les deux mois).

ATTENTION :

L'appareil ne doit pas être branché au secteur pendant le nettoyage, car il y a risque de choc électrique. Avant le nettoyage, éteignez l'appareil et débranchez la fiche de la prise de courant.

Nettoyage extérieur

Essayez le panneau de commande avec un chiffon doux et propre.

- Versez de l'eau sur le chiffon de nettoyage plutôt que directement sur la surface de l'appareil. Cela permet de s'assurer d'une répartition uniforme de l'humidité sur la surface.
- Nettoyez les portes, les poignets et les surfaces du cabinet avec un détergent doux et puis essuyez à sec avec un chiffon doux.

MISE EN GARDE :

N'utilisez pas d'objets tranchants, car ils risquent de rayer la surface. N'utilisez pas de diluant, de produit pour voiture, de Clorox, d'huile étherée, d'agents abrasifs ou de solvants organiques tels que le benzène pour nettoyer votre appareil.

Ils peuvent endommager la surface de l'appareil et provoquer un incendie.

Nettoyage intérieur

Vous devez aussi nettoyer l'intérieur de l'appareil de façon régulière. Il serait plus facile de le nettoyer lorsque la quantité de nourriture à l'intérieure est petite. Essuyer l'intérieur du congélateur avec une solution diluée de bicarbonate de soude, puis rincer à l'eau tiède avec une éponge ou un chiffon. Essuyer complètement avant de remettre les étagères et les tiroirs en place. Essayez bien toutes les surfaces et pièces amovibles avant de réinstaller le bac.

Même si cet appareil se dégèle automatiquement, une couche de givre peut apparaître sur les parois intérieures du compartiment du congélateur lorsque la porte de ce dernier est ouverte fréquemment ou trop longtemps. Si le givre est trop important, prévoir un moment où le congélateur est presque vide et procéder comme suit:

1. Retirez les paniers d'aliments et d'accessoires existants, débranchez l'appareil de l'alimentation principale et laissez les portes ouvertes. Ventilez correctement la chambre pour accélérer le processus de dégivrage.

2. Une fois le dégivrage terminé, nettoyez votre congélateur comme décrit ci-dessus.

MISE EN GARDE :

N'utilisez pas d'objets pointus pour retirer le gel du compartiment de réfrigération. C'est seulement après que l'intérieur soit sec que l'appareil doit être rallumé et rebranché sur la prise principale.

Nettoyage des joints de porte

Assurez-vous de maintenir les joints de porte propres. Les nourritures et boissons collantes peuvent coincer les joints au cabinet et les déchirer lorsque vous ouvrez la porte. Lavez les joint avec détergent doux et de l'eau chaude. Rincez et séchez-les correctement après le nettoyage.

MISE EN GARDE :

L'appareil ne doit être mis sous tension qu'après que les joints d'étanchéité de la porte soient complètement secs.

Dépannage

Si vous rencontrez un problème avec votre appareil ou craignez que l'appareil ne fonctionne pas correctement, vous pouvez effectuer des contrôles simples avant d'appeler le service client, voir ci-dessous.

ATTENTION :

N'essayez pas de réparer l'appareil électrique vous-même. Si le problème persiste après avoir effectué les vérifications mentionnées ci-dessous, contactez un électricien qualifié, un technicien agréé ou la boutique où vous avez acheté le produit.

Problème	Causes possibles et solutions
L'appareil électrique ne fonctionne pas correctement	<p>Vérifiez si le cordon d'alimentation est correctement branché dans la prise électrique.</p> <p>Vérifiez le fusible ou le circuit de votre alimentation électrique, remplacez-le si nécessaire.</p> <p>Il est normal que le congélateur ne fonctionne pas pendant le cycle de dégivrage, ou pendant peu de temps après l'allumage de l'appareil pour protéger le compresseur.</p>
Des odeurs proviennent du compartiment	<p>L'intérieur peut avoir besoin d'être nettoyé</p> <p>Certaines nourritures, contenants ou emballages provoquent des odeurs.</p>
Du bruit est émis par l'appareil électrique	<p>Les sons ci-dessous sont relativement normaux :</p> <ul style="list-style-type: none"> • Bruits de fonctionnement du compresseur. • Bruits des mouvements de l'air du moteur du petit ventilateur dans le compartiment congélateur ou dans d'autres compartiments. • Son de gargouillement semblable à celui de l'eau bouillante. • Bruit d'éclatement pendant le dégivrage automatique. • Bruit de cliquetis avant le démarrage du compresseur. <p>D'autres bruits inhabituels sont dus aux raisons ci-dessous et peuvent nécessiter une vérification et une intervention de votre part :</p> <ul style="list-style-type: none"> • L'appareil n'est pas à niveau. • L'arrière de l'appareil touche le mur. • Des bouteilles ou contenants sont tombés ou en train de rouler.

Problème	Causes possibles et solutions
Le moteur fonctionne en permanence	<p>Il est normal d'entendre fréquemment le bruit du moteur, il devra fonctionner davantage dans les circonstances suivantes :</p> <ul style="list-style-type: none"> • Le réglage de la température est plus froid que nécessaire • Une grande quantité d'aliments chauds a récemment été stockée dans l'appareil. • La température extérieure de l'appareil est trop élevée. • Les portes restent ouvertes trop longtemps ou trop souvent. • Après l'installation de l'appareil ou s'il a été éteint pendant une longue période.
Une couche de givre se produit dans le compartiment	<p>Vérifiez que les bouches d'aération ne sont pas bloquées par les aliments et que les aliments sont placés dans l'appareil d'une façon à permettre une ventilation suffisante. Assurez-vous que la porte est complètement fermée. Pour retirer le givre, reportez-vous au chapitre « Nettoyage et Entretien ».</p>
La température à l'intérieur est trop chaude	<p>Il se peut que vous ayez laissé les portes ouvertes pendant trop longtemps ou trop fréquemment ; ou les portes sont laissées ouvertes à cause d'un obstacle quelconque ; ou l'appareil électrique est situé à un endroit avec un dégagement insuffisant sur les côtés, vers le haut et vers le bas.</p>
La température à l'intérieur est trop froide	<p>Augmentez la température en suivant les instructions du chapitre « Contrôles de l'affichage ».</p>
Les portes ne se ferment pas facilement	<p>Vérifiez si le dessus du réfrigérateur est incliné vers l'arrière de 10-15 mm pour permettre aux portes de se fermer automatiquement ou si quelque chose à l'intérieur empêche les portes de se fermer.</p>
L'eau s'égoutte sur le sol	<p>Il se peut que le bac à eau (situé au fond arrière de l'armoire) ne soit pas correctement mis à niveau ou que le bec d'écoulement (situé sous le dessus du dépôt du compresseur) ne soit pas positionné correctement pour diriger l'eau dans ce bac ou que le distributeur d'eau soit obstrué. Il se peut que vous ayez besoin de retirer le réfrigérateur du mur pour vérifier la casserole et le bec verseur.</p>

Conseils de stockage

Commande	TYPE de Compartiments	Température de stockage cible. [°C]	Aliments appropriés
1	(***)*-Congélateur	≤-18	Poissons et fruits de mer (poissons, crevettes, mollusques, crustacés), produits aquatiques d'eau douce et produits carnés (recommandés pour 3 mois, plus la durée de conservation est longue, plus l'aliment perd son goût et sa valeur nutritive), adaptés aux produits frais surgelés.
2	***-Congélateur	≤-18	Poissons et fruits de mer (poissons, crevettes, mollusques, crustacés), produits aquatiques d'eau douce et produits carnés (recommandés pour 3 mois, plus la durée de conservation est longue, plus l'aliment perd son goût et sa valeur nutritive), ne sont pas adaptés aux produits frais surgelés.
3	** -Congélateur	≤-12	Poissons et fruits de mer (poissons, crevettes, mollusques, crustacés), produits aquatiques d'eau douce et produits carnés (recommandés pour 2 mois, plus la durée de conservation est longue, plus l'aliment perd son goût et sa valeur nutritive), ne sont pas adaptés aux produits frais surgelés.
4	*-Congélateur	≤-6	Poissons et fruits de mer (poissons, crevettes, mollusques, crustacés), produits aquatiques d'eau douce et produits carnés (recommandés pour 1 mois, plus la durée de conservation est longue, plus l'aliment perd son goût et sa valeur nutritive), ne sont pas adaptés aux produits frais surgelés.

Commande	TYPE de Compartiments	Température de stockage cible. [°C]	Aliments appropriés
5	0-étoile	-6-0	Porc frais, boeuf, poisson, poulet, certains aliments transformés emballés, etc. (recommandé de manger dans la même journée, de préférence pas plus de 3 jours), Aliments transformés partiellement encapsulés (aliments non congelés)

REMARQUE :

Veillez stocker les différents aliments en fonction des compartiments ou de la température de stockage cible de vos produits achetés.

- Si l'appareil frigorifique est laissé vide pendant de longues périodes, éteignez-le, nettoyez-le, séchez-le et laissez la porte ouverte pour éviter l'apparition de moisissures dans l'appareil.

Pour éviter la contamination des aliments, veuillez respecter les instructions suivantes :

- L'ouverture de la porte pendant de longues périodes peut provoquer une augmentation significative de la température dans les compartiments de l'appareil.
- Nettoyez régulièrement les surfaces qui peuvent entrer en contact avec les aliments et les systèmes de vidanges accessibles.
- Conservez la viande et le poisson crus dans des récipients appropriés au réfrigérateur, de façon à ce qu'ils ne soient pas en contact avec d'autres aliments ou ne s'égouttent pas sur eux.
- Les compartiments à aliments surgelés deux étoiles conviennent à la conservation des aliments pré-congelés, à la conservation ou à la fabrication de glaces et de glaçons.
- Les compartiments à une, deux et trois étoiles ne conviennent pas à la congélation des aliments frais.

Bedankt!

Proficiat met uw keuze voor een product van VALBERG. De selectie en de testen van de toestellen van VALBERG gebeuren volledig onder controle en supervisie van ELECTRO DEPOT. We staan garant voor de kwaliteit van de toestellen van VALBERG, die uitmunten in hun eenvoudig gebruik, hun betrouwbare werking en hun onberispelijke kwaliteit.

ELECTRO DEPOT beveelt de VALBERG toestellen aan en is ervan overtuigd dat u uiterst tevreden zal zijn bij elk gebruik van het toestel. Welkom bij ELECTRO DEPOT.

Bezoek onze website: www.electrodepot.be

Inhoudstafel

A Overzicht van het toestel

Gebruiks- en omgevingstemperatuur
Instellen van de thermostaat
Beschrijving van het apparaat

B Gebruik van het toestel

Installeer uw nieuwe apparaat
De deur omkeren
Weergegeven bedieningselementen
Gebruik van het apparaat
Handige tips en trucs

C Praktische informatie

Reiniging en onderhoud
Probleemoplossing
Opslagadvies

Gebruiks- en omgevingstemperatuur

We raden aan om de klassieke klimaatklassen die aangeduid worden op de productfiche en op het typeplaatje te respecteren, hierdoor kunt u nagaan binnen welk omgevingstemperatuurbereik het toestel kan worden gebruikt:

- SN : Tussen 10 en 32°C
- N : Tussen 16 en 32°C
- ST : Tussen 16 en 38°C
- T : Tussen 16 en 43°C

Een toestel met multiklassen kan de laagste en hoogste temperatuur van alle gedekte klassen bereiken.

Het gebruik van het toestel buiten dit omgevingstemperatuurbereik tast de prestaties en de levensduur van het toestel aan.

Instellen van de thermostaat

Voor een optimaal gebruik en om energie te besparen, raden we aan de thermostaat van het toestel te regelen volgens de omgevingstemperatuur waarin het toestel gebruikt wordt onder voorbehoud dat de klimaatklasse(n) wordt (worden) nageleefd.

Raadpleeg het productinformatieblad om de klimaatklasse te kennen die verbonden is aan de minimale en maximale omgevingstemperaturen aangepast aan het toestel, en voor de aanbevolen temperatuurinstelling voor een optimale opslag van de voedingswaren.

De graden van de omgevingstemperatuur T° C worden ter informatie gegeven.

De plaatsing in de ruimte, de frequentie van het openen van de deur(en) of de mate waarin het toestel met voedingsmiddelen is gevuld, kunnen de voormelde posities beïnvloeden.

De positie van de thermostaat dient aangepast te kunnen worden om deze factoren te compenseren.

Voorbeelden van de ruimte waarin het toestel wordt gebruikt:

- Ruimte die niet verwarmd wordt in de winter, zoals een garage in een koude streek.
- Leefruimte die normaal verwarmd wordt, zoals een keuken.
- Ruimte zonder airco in de zomer in een warme streek.

Beschrijving van het apparaat

Apparaatweergave

- 1 Bedieningspaneel
- 2 Ventilatiekanaal
- 3 Luik
- 4 Glasplaat
- 5 Centrale lades
- 6 Centrale legplaten
- 7 Onderste legplaat
- 8 Onderste lade
- 9 Stelvoet linksonder
- 10 Stelvoet rechtsonder
- 11 Deurklink

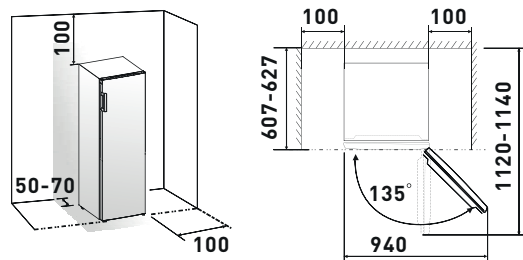
Installeer uw nieuwe apparaat

Voordat u het elektrische apparaat voor het eerst gebruikt, dient u rekening te houden met de volgende tips.

Ventilatie van het apparaat

OPGELET:

Om de efficiëntie van het koelsysteem te verbeteren en energie te besparen, is het noodzakelijk om een goede ventilatie rond het apparaat te behouden voor afvoer van de warmte. Daarom moet er rondom de koelkast voldoende vrije ruimte zijn. Het is raadzaam hiervoor een ruimte van 50 tot 70 mm vrij te houden vanaf de achterkant tot de muur, minimaal 100 mm vanaf de bovenkant en minimaal 100 mm vanaf de zijkant tot de muur en een vrije ruimte aan de voorkant om de deuren te openen tot 135°. Zie de volgende diagrammen.



OPMERKING:

Dit elektrische apparaat presteert goed in de klimaatklassen van N tot T in onderstaande tabel. Het werkt mogelijk niet naar behoren als het gedurende lange tijd wordt blootgesteld aan temperaturen onder of boven het hieronder getoonde bereik.

Klimaatklasse	Omgevingstemperatuur
SN	+10°C tot +32°C
N	+16°C tot +32°C
ST	+16°C tot +38°C
T	+16°C tot +43°C

- Plaats uw apparaat op een droge plaats om een hoge vochtigheid te voorkomen.
- Houd uw apparaat uit de buurt van direct zonlicht, regen en vorst. Houd uw apparaat uit de buurt van warmtebronnen zoals een oven, vuur of kachels.

A Nivellering van het elektrische apparaat

- Voor voldoende nivellering en luchtcirculatie van het onderste gedeelte van de achterkant van het apparaat, moeten de voeten onderaan mogelijk worden aangepast.
- U kunt ze handmatig aanpassen of door een geschikte sleutel te gebruiken.
- Om de deur automatisch te laten sluiten, brengt u de bovenkant 10 mm schuin naar achteren.

B Een deurklink installeren

Haal de klink en schroeven uit de zak, verwijder de beschermfolies van de klink, plaats de klink aan de rechterkant van de deur, zet deze vast met schroeven en installeer de schroefdeksels van de klink.

De deur omkeren

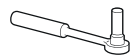
De draairichting waarin de deur opengaat, kan worden gewijzigd van rechts (zoals meegeleverd) naar links, als de plaatsing van het apparaat deze wijziging vereist.

OPGELET:

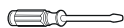
Tijdens het wijzigen van de draairichting, mag het apparaat niet worden ingeschakeld. Zorg ervoor dat de stekker uit het stopcontact is getrokken.

Het gereedschap dat u nodig hebt

Niet voorzien



8 mm dopsleutel



Platte schroevendraaier



Plamuurmes



Kruiskop schroevendraaier

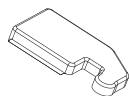


Verstelbare sleutel



Sleutel van 8 mm

Extra onderdelen (in de plastic zak)



Linker scharnierkap

OPMERKING:

Indien nodig kunt u de koelkast op zijn achterkant leggen om toegang te krijgen tot de basis, u moet hem op zacht schuimfolie of vergelijkbaar materiaal leggen om schade aan het achterpaneel van de koelkast te voorkomen. Om de deur om te keren, worden over het algemeen de volgende stappen aanbevolen.

C Gebruik een plamuurmes of een platte schroevendraaier om het schroefdeksel in de linkerbovenhoek van de koelkast en de scharnierkap in de rechterbovenhoek van de koelkast te bevestigen.

D Draai de speciale zelftappende schroeven van de flens die dienen om het rechterbovengedeelte van het scharnier te bevestigen, los met behulp van een 8 mm dopsleutel of moersleutel (ondersteun daarbij de bovenkant van de deur met uw hand).

E Verwijder de bovenste scharnierpen, breng deze over naar de andere kant en draai hem stevig vast, plaats hem dan op een veilige plaats.

F Haal de deur van het onderste scharnier.

OPMERKING:

Let bij het verwijderen van de deur op de sluitringen tussen het onderste scharnier en de onderkant van de onderste deur. Deze kunnen aan de deur blijven plakken. Raak ze niet kwijt.

G Plaats ze op een glad oppervlak met het paneel naar boven gericht. Draai de schroef **b** en het onderdeel **a** los, installeer ze vervolgens aan de linkerkant en draai ze stevig vast.

H Plaats de koelkast op een zachte schuimfolie of vergelijkbaar materiaal. Verwijder de twee onderste delen van de stelvoeten en het onderste deel van het scharnier door de zelftappende schroeven van de speciale flens los te draaien.

I Verplaats het onderste deel van het scharnier naar links en zet het vast met de speciale zelftappende schroeven van de flens. Vervang de onderste delen van de stelvoeten aan een andere kant en zet ze vast.

J Breng de deur over naar de juiste positie, pas het onderste deel van het scharnier aan en steek de scharnierpen in het onderste gat van de deur.

K Breng het bovenste deel van het scharnier over, steek de as van het bovenste scharnier in het bovenste gat van de deur en pas de positie van de deur aan (houd ze vast met uw hand), waarbij u het bovenste deel van het scharnier vastzet met de speciale zelftappende schroeven van de flens.

L Installeer de kap van het schroefgat in de rechterbovenhoek van de koelkast. Installeer de scharnierkap (uit de plastic zak) in de linkerhoek. Steek de andere scharnierkap in de plastic zak.

M Verplaats de klink van de linkerkant van de deur naar de rechterkant.

OPGELET:

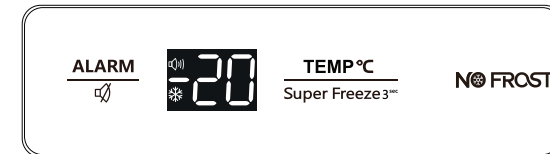
Tijdens het wijzigen van de openingszijde van de deur mag het apparaat niet op een stopcontact worden aangesloten. Eerst moet de stekker uit het stopcontact worden getrokken.

OPMERKING:

1. Door voortdurende wijzigingen in onze producten kan uw apparaat enigszins afwijken van deze gebruiksaanwijzing, maar de functies en gebruiksmethodes blijven hetzelfde.
2. Om de beste energie-efficiëntie uit dit product te halen, plaatst u alle platen, laden in hun oorspronkelijke positie, zoals weergegeven in de bovenstaande afbeelding.
3. Als u een lade verwijdert, draait u de legplaat onder de lade 180 graden omhoog en omlaag voor de beste energie-efficiëntie.

Weergegeven bedieningselementen

Het bedieningspaneel voor het regelen van de temperatuur in het vriesvak bevindt zich in de vriezer. Gebruik uw apparaat volgens de volgende bedieningsvoorschriften, uw apparaat heeft de bijbehorende functies en standen zoals weergegeven op de bedieningspanelen in de onderstaande afbeeldingen. Wanneer het apparaat voor het eerst wordt ingeschakeld, begint de achtergrondverlichting van de scherm pictogrammen te werken. De deuren zijn gesloten, de achtergrondverlichting gaat uit.



Temperatuurinstelling

BELANGRIJK:

Voor een optimale conservering van voedingsmiddelen adviseren wij u de vriezertemperatuur in te stellen op -18°C . Volg de onderstaande instructies als u de temperatuur wilt wijzigen.

OPMERKING:

Als een hogere temperatuur wordt ingesteld zullen de voedingsmiddelen sneller bederven.

WAARSCHUWING:

Bij het instellen van de temperatuur, stelt u een gemiddelde temperatuur in voor de gehele binnenruimte van het apparaat. De temperaturen in de binnenruimte kunnen variëren van het display, afhankelijk van de hoeveelheid voedingsmiddelen in de vriezer en de plaats van de voedingsmiddelen. Een lage of te hoge omgevingstemperatuur kan ook de temperatuur in het apparaat beïnvloeden.

Functie

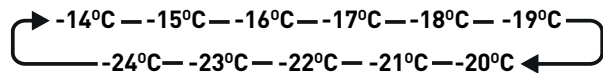
Snelvriezer

De functie snelvriezer verlaagt de temperatuur van de vriezer, zodat voedingsmiddelen sneller worden ingevroren. Dit kan meer vitamines en voedingsstoffen uit vers voedingsmiddelen vasthouden en zorgt ervoor dat ze langer vers blijven.

- Druk 3 seconden op de knop "TEMP°C/Super freeze 3sec" om de functie "Super Freeze" te selecteren. Het display geeft "-24" weer en de indicator gaat ❄️ branden.
- Om een maximale hoeveelheid voedingsmiddelen in te vriezen, moet u enkele uren voordat u verse producten in het vriesvak plaatst, de snelvriezer inschakelen om ongewenste temperatuurstijging te voorkomen.
- Als de op het typeplaatje aangegeven vriescapaciteit moet worden gebruikt, start u het invriezen 24 uur voordat de verse producten in het vriesvak worden geplaatst, de invriesfunctie stopt na enige tijd automatisch.
- Druk op de knop "TEMP°C /Super freeze 3sec" om de functie "snelvriezer" uit te schakelen. Als de invriesfunctie is uitgeschakeld, blokkeert de vriezerindicator ❄️ de gelijktijdige werking en schakelt het apparaat automatisch over op de vóór de invriesstand ingestelde temperatuur.

TEMP

- U kunt op de knop "TEMP°C/Super freeze 3sec" drukken om de temperatuurregelstand van de vriezer te activeren. Als u continu op de knop drukt, wordt de temperatuur in onderstaande volgorde ingesteld.



Deuralarm

- Als de vriezerdeur langer dan een minuut wordt geopend, gaat het alarm af en begint de indicator 📢 te knipperen. Het akoestische alarm stopt als er op de "ALARM"-knop wordt gedrukt en het indicatorlampje gaat branden, maar stopt met knipperen.
- Laat om energie te besparen de deur niet gedurende lange tijd open staan terwijl het apparaat in gebruik is. Het deuralarm kan worden gestopt door de deur te sluiten.

Gebruik van het apparaat

In dit gedeelte wordt uitgelegd hoe u de meeste belangrijke functies gebruikt. We raden u aan ze zorgvuldig te lezen voordat u het apparaat gebruikt.

Gebruik van de vriezer

De vriezer is geschikt voor het bewaren van in te vriezen voedingsmiddelen, zoals vlees, vis, ijs en ander producten.

WAARSCHUWING:

Zorg ervoor dat er geen flessen in de vriezer worden bewaard, omdat de flessen door bevriezing kunnen breken.

Legplaten

- De legplaten zijn geschikt voor het bewaren van etenswaren.
- Om de legplaat te verwijderen: aan de voorkant optillen en eruit trekken.

BELANGRIJK:

Om het volume van het opbergvak voor diepvriesproducten maximaal te benutten, kan de gebruiker, afhankelijk van het dagelijkse gebruik, een of meer laden uit het apparaat halen. Als u een lade verwijdert, draait u de legplaat onder de lade 180 graden omhoog en omlaag voor de beste energie-efficiëntie. Om energie te besparen de onderste vrieslade niet verwijderen.

Lades

In de lades kunnen diepvriesproducten worden opgeborgen. Til eerst de lade op in een horizontale positie en kantel hem vervolgens omhoog om de lade te kunnen verwijderen. In omgekeerde volgorde kunt u de lade correct plaatsen.

WAARSCHUWING:

Sluit de vriezerdeur nooit als de platen, het luik of de lades verplaatst zijn. Hierdoor kunnen ze beschadigen, evenals de vriezerdeur.

Dit koelapparaat is niet bedoeld voor gebruik als ingebouwd apparaat.

Handige tips en trucs

Tips om energie te besparen

We raden u aan onderstaande tips te volgen om energie te besparen

- Probeer de deur niet lang open te laten om energie te besparen.
- Zorg ervoor dat het apparaat niet is blootgesteld aan warmtebronnen (directe blootstelling aan zonlicht, elektrische oven of fornuis, enz.)
- Stel de temperatuur niet lager in dan nodig.
- Bewaar geen warme etenswaren of vloeistof die verdampt in het apparaat.
- Plaats het apparaat in een goed geventileerde, droge ruimte. Raadpleeg het hoofdstuk Uw nieuwe apparaat installeren.
- Als het diagram een geschikte combinatie voor lades, bakken en legplaten aangeeft, pas de combinatie dan niet aan, aangezien dit is ingesteld als de meest energiezuinige configuratie.

Tips voor invriezen

- Laat het apparaat als het voor het eerst wordt ingeschakeld of als het minimaal 2 uur is uitgeschakeld geweest, op de hoogste stand werken, voordat het voedingsmiddelen in het vak wordt geplaatst.
- Verdeel voedingsmiddelen in kleine porties zodat ze snel en volledig kunnen worden ingevroren en alleen de benodigde hoeveelheid later hoeft te worden ontdooid.
- Wikkel voedingsmiddelen in luchtdichte folie of polyethyleen voedingsverpakkingen.
- Zorg ervoor dat vers, niet-bevroren voedingsmiddelen niet in aanraking komen met voedingsmiddelen dat al zijn ingevroren om te voorkomen dat de temperatuur van deze voedingsmiddelen toeneemt.
- Producten die in bevroren staat worden geconsumeerd, kunnen bevroering van de huid veroorzaken.
- Het wordt aanbevolen om elke bevroren verpakking te labelen en te dateren zodat u de opslagdatum weet.

Tips voor het bewaren van diepvriesproducten

- Zorg ervoor dat diepvriesproducten op de juiste manier zijn bewaard door het levensmiddelenbedrijf.
- Als het voedingsmiddelen eenmaal zijn ontdooid, gaan het snel achteruit en mogen ze niet opnieuw worden ingevroren. Overschrijd de door de fabrikant van het voedingsmiddelen aangegeven bewaartijd niet.

Uw apparaat uitschakelen

Als het apparaat voor langere tijd wordt uitgeschakeld, moeten de volgende maatregelen worden genomen om schimmelvorming op het apparaat te voorkomen.

1. Verwijder al het voedingsmiddelen.
2. Haal de stekker uit het stopcontact.
3. Maak de binnenkant helemaal schoon en droog.
4. Zorg ervoor dat alle deuren iets open blijven staan zodat de lucht kan circuleren.

Reiniging en onderhoud

Om hygiënische redenen moet het apparaat (zowel de buitenkant als de accessoires binnenin) regelmatig (minstens om de twee maanden) worden schoongemaakt.

OPGELET:

Het apparaat mag tijdens het reinigen niet op de netvoeding worden aangesloten, omdat er gevaar voor elektrische schokken bestaat. Schakel voor het reinigen het apparaat uit en trek de stekker uit het stopcontact.

Het schoonmaken van de buitenkant

Veeg het bedieningspaneel af met een zachte, schone doek.

- Giet water op de doek in plaats van direct op het oppervlak van het apparaat. Dit zorgt voor een gelijkmatige verdeling van vocht over het oppervlak.
- Reinig de deuren, de handvatten en kastoppervlakken met een mild reinigingsmiddel en droog ze vervolgens af met een zachte doek.

WAARSCHUWING:

Gebruik geen scherpe voorwerpen, omdat deze krassen op het oppervlak kunnen veroorzaken. Gebruik geen oplosmiddel, autoreiniger, bleekwater, etherische olie, schuurmiddelen of organische oplosmiddelen zoals benzeen om uw apparaat schoon te maken. Ze kunnen het oppervlak van het apparaat beschadigen en brand veroorzaken.

Het schoonmaken van de binnenkant

U moet ook de binnenkant van het apparaat regelmatig schoonmaken. Het is gemakkelijker schoon te maken als er weinig voedingsmiddelen in zit. Veeg de binnenkant van de vriezer af met een verdunde oplossing van zuiveringszout en spoel vervolgens af in lauw water met een spons of doek. Veeg volledig droog voordat u legplaten en laden terugplaatst. Veeg alle verwijderbare oppervlakken en onderdelen grondig af voordat u de bak opnieuw installeert.

Zelfs als dit apparaat automatisch ontdooit, kan er een laagje ijs op de binnenwanden van het vriesvak ontstaan als de vriezerdeur vaak of te lang wordt geopend. Als de ijslaag te dik is, wacht dan een tijdje tot de vriezer bijna leeg is en ga als volgt te werk:

1. Verwijder alle bestaande bakken voor voedingsmiddelen en accessoires, koppel het apparaat los van de netvoeding en laat de deuren open. Ventileer de kamer op de juiste manier om het ontdooiingsproces te versnellen.

2. Nadat het ontdooien is voltooid, reinigt u uw vriezer zoals hierboven beschreven.

WAARSCHUWING:

Gebruik geen scherpe voorwerpen om het ijs uit het koelvak te verwijderen. Pas nadat de binnenkant droog is, moet het apparaat worden ingeschakeld en weer op het stopcontact worden aangesloten.

Deurafdichtingen reinigen

Zorg ervoor dat de deurafdichtingen schoon blijven. Kleverig voedingsmiddelen en dranken zorgen ervoor dat de afdichtingen aan de kast plakken en losscheuren wanneer u de deur opent. Was de afdichtingen in een mild reinigingsmiddel en warm water. Spoel en droog ze goed af na het reinigen.

WAARSCHUWING:

Het apparaat mag pas worden ingeschakeld nadat de deurafdichtingen volledig droog zijn.

Probleemoplossing

Als u een probleem ondervindt met uw apparaat of als u bang bent dat het apparaat niet goed werkt, kunt u enkele eenvoudige controles uitvoeren voordat u de klantenservice belt, zie hieronder.

OPGELET:

Probeer het elektrische apparaat niet zelf te repareren. Als het probleem zich blijft voordoen na het uitvoeren van onderstaande controles, neem dan contact op met een gekwalificeerde elektricien, erkend technicus of de winkel waar u het product hebt gekocht.

Probleem	Mogelijke oorzaken en oplossingen Controleer
Het elektrische apparaat werkt niet goed	Controleer of het netsnoer goed is aangesloten op het stopcontact.
	Controleer de zekering of het circuit van uw voeding, vervang indien nodig.
De geuren komen uit het binnenvak	Het is normaal dat de vriezer niet werkt tijdens de ontdooiingscyclus of gedurende een korte tijd na het inschakelen van het apparaat om de compressor te beschermen.
	De binnenkant moet mogelijk worden gereinigd Sommige voedingsmiddelen, bakjes of verpakkingen veroorzaken geuren.
Er komt geluid uit het elektrische apparaat	De onderstaande geluiden zijn relatief normaal: <ul style="list-style-type: none"> • werkingsgeluiden van de compressor. • geluiden van luchtbeweging van de kleine ventilatormotor in het vriesvak of andere vakken. • borrelend geluid vergelijkbaar met dat van kokend water. • geluid van barsten tijdens automatische ontdooiing. • klikgeluid voordat de compressor start.
	Andere ongebruikelijke geluiden worden veroorzaakt door de onderstaande redenen. U moet dan eventueel controleren wat er aan de hand is en actie ondernemen: <ul style="list-style-type: none"> • het apparaat staat niet waterpas. • de achterkant van het apparaat raakt de muur. • er zijn flessen of pakken gevallen of zij rollen.

Probleem	Mogelijke oorzaken en oplossingen Controleer
de motor loopt continu	<p>Het is normaal om het geluid van de motor heel vaak te horen, onder de volgende omstandigheden kan deze vaker draaien:</p> <ul style="list-style-type: none"> • de temperatuur is lager ingesteld dan nodig • er is pas een grote hoeveelheid warme voedingsmiddelen in de koelkast geplaatst. • de buitentemperatuur van het apparaat is te hoog. • de deuren blijven te lang open of worden te vaak geopend. • na de installatie van het apparaat of als het lange tijd is uitgeschakeld geweest.
er ontstaat een ijslaag in het vriesvak	Controleer of de ventilatieopeningen niet worden geblokkeerd door voedingsmiddelen en of voedingsmiddelen zodanig in het apparaat zijn geplaatst dat er niet voldoende ventilatie mogelijk is. Zorg ervoor dat de deur volledig gesloten is. Zie het hoofdstuk «Reiniging en onderhoud» om het ijs te verwijderen.
De temperatuur binnenin is te warm	Mogelijk hebt u de deuren te lang of te vaak opengelaten; of de deuren open blijven staan omdat er iets in de weg staat; of het elektrische apparaat bevindt zich op een plaats met onvoldoende ruimte aan de zijkanten, boven- en onderkant.
De temperatuur binnenin is te laag	Verhoog de temperatuur en volg daarbij de instructies in het hoofdstuk «Bedieningselementen display» op.
De deuren sluiten niet goed	Controleer of de bovenkant van de koelkast 10-15 mm naar achteren helt zodat de deuren automatisch sluiten of dat er iets in zit waardoor de deuren niet kunnen sluiten.
Er druppelt water op de grond	De waterbak (aan de achterkant van de kast) is mogelijk niet goed waterpas of de tuit (onder de bovenkant van de compressorafzetting) zit niet op de goede plaats zodat het water niet naar de bak kan lopen of de waterdispenser is geblokkeerd. Mogelijk moet u de koelkast van de muur trekken om de bak en de tuit te controleren.

Opslagadvies

Bestelling	TYPE compartimenten	Gewenste opslagtemperatuur. [°C]	Geschikte voedingsmiddelen
1	(***)*-Vriezer	≤-18	Vis en zeevruchten (vis, garnalen, weekdieren, schaaldieren), zoetwaterproducten en vleesproducten (aanbevolen 3 maanden, hoe langer ze worden bewaard, hoe meer de voedingsmiddelen hun smaak en voedingswaarde verliezen), geschikt voor vers ingevroren producten.
2	***-Vriezer	≤-18	Vis en zeevruchten (vis, garnalen, weekdieren, schaaldieren), zoetwaterproducten en vleesproducten (aanbevolen 3 maanden, hoe langer ze worden bewaard, hoe meer de voedingsmiddelen hun smaak en voedingswaarde verliezen), zijn niet geschikt voor vers ingevroren producten.
3	** -Vriezer	≤-12	Vis en zeevruchten (vis, garnalen, weekdieren, schaaldieren), zoetwaterproducten en vleesproducten (aanbevolen 2 maanden, hoe langer ze worden bewaard, hoe meer de voedingsmiddelen hun smaak en voedingswaarde verliezen), zijn niet geschikt voor vers ingevroren producten.
4	*-Vriezer	≤-6	Vis en zeevruchten (vis, garnalen, weekdieren, schaaldieren), zoetwaterproducten en vleesproducten (aanbevolen 1 maanden, hoe langer ze worden bewaard, hoe meer de voedingsmiddelen hun smaak en voedingswaarde verliezen), zijn niet geschikt voor vers ingevroren producten.

Bestelling	TYPE compartimenten	Gewenste opslagtemperatuur. [°C]	Geschikte voedingsmiddelen
5	0 sterren	-6-0	Vers varkensvlees, rundvlees, vis, kip, sommige verpakte verwerkte voedingsmiddelen, enz. (aanbevolen om dezelfde dag te eten, bij voorkeur niet langer dan 3 dagen bewaren), gedeeltelijk verpakte bewerkte voedingsmiddelen (geen diepvriesproducten)

OPMERKING:

Bewaar de verschillende voedingsmiddelen naar gelang de vakken en de beoogde opslagtemperatuur van uw gekochte producten.

- Als de koelkast lange tijd leeg blijft staan, zet hem dan uit, maak schoon, droog hem en laat de deur open staan om schimmelvorming in het apparaat te voorkomen.

Neem de volgende instructies in acht om bederven van voedingsmiddelen te voorkomen:

- Het langdurig openen van de deur kan een aanzienlijke temperatuurstijging in de vakken van het apparaat veroorzaken.
- Reinig regelmatig oppervlakken die in contact kunnen komen met voedingsmiddelen en toegankelijke afvoersystemen.
- Bewaar rauw vlees en vis in geschikte bakjes in de koelkast, zodat ze niet in contact komen met of druipen op ander voedingsmiddelen.
- Diepvriesvakken met twee sterren zijn geschikt om voorgevroren levensmiddelen te bewaren en ijs en ijsblokjes te bewaren of te maken.
- De vakken met één, twee en drie sterren zijn niet geschikt voor het invriezen van verse voedingsmiddelen.

¡Muchas gracias!

Muchas gracias por haber elegido nuestro producto VALBERG. Seleccionados, testados y recomendados por ELECTRO DEPOT, los productos de la marca VALBERG le aseguran una utilización sencilla, un rendimiento fiable y una calidad incuestionable.

Con este dispositivo puede estar seguro de que siempre quedará satisfecho al utilizarlo. Le damos la bienvenida a ELECTRO DEPOT.

Visite nuestra página web: www.electrodepot.es

A Descripción del aparato

Temperaturas ambientales de uso
Ajuste del termostato
Descripción del aparato

B Utilización del aparato

Cómo instalar su nuevo electrodoméstico
Inversión de la puerta
Controles de pantalla
Uso del aparato
Consejos y trucos de utilidad

C Información práctica

Limpieza y mantenimiento
Reparación de averías
Consejos de almacenamiento

Temperaturas ambientales de uso

Se recomienda respetar las clases climáticas indicadas en la ficha de producto sobre la placa de características del aparato. Esto le permitirá comprobar en qué rangos de temperatura ambiente se puede usar el aparato:

- SN : Entre 10 y 32°C
- N : Entre 16 y 32°C
- ST : Entre 16 y 38°C
- T : Entre 16 y 43°C

Un aparato de multiclase puede controlar la temperatura más baja y la más alta de todas las clases cubiertas.

El uso del aparato fuera del rango de temperatura ambiente puede afectar al rendimiento y a la vida útil del aparato.

Ajuste del termostato

Para ahorrar energía y conseguir un uso óptimo, se recomienda ajustar el termostato del aparato según la temperatura ambiente de la habitación en la que se esté usando, respetando la(s) clase(s) climática(s).

Por favor, remítase a la ficha de datos del producto para consultar la clase de clima asociada a las temperaturas ambiente mínimas y máximas adecuadas para el dispositivo y el ajuste de temperatura recomendado para el almacenamiento óptimo de los alimentos.

Los grados de temperaturas ambientes T°C se dan a título indicativo.

La colocación en la habitación, la frecuencia de apertura de puerta(s) o incluso el nivel de carga de productos alimenticios del aparato pueden influir en las posiciones indicadas.

La posición del termostato puede modificarse para compensar estos factores.

Ejemplos de habitaciones de uso:

- Habitación no calefactada en invierno como por ejemplo un garaje en una región fría.
- Habitación habitable con calefacción como por ejemplo una cocina.
- Habitación sin aire acondicionado en verano en una región cálida.

Descripción del aparato

Vista del aparato

- 1 Panel de control
- 2 Canal de ventilación
- 3 Sección superior
- 4 Estante de vidrio
- 5 Cajones centrales
- 6 Rejillas centrales
- 7 Rejilla inferior
- 8 Cajón inferior
- 9 Pie inferior izquierdo regulable
- 10 Pie inferior derecho regulable
- 11 Manilla de la puerta

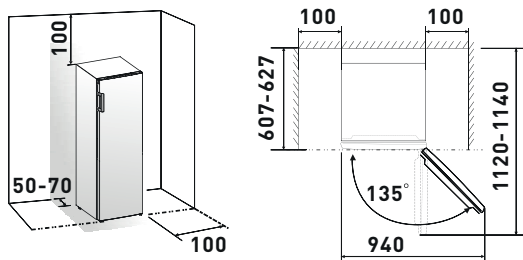
Cómo instalar su nuevo electrodoméstico

Antes de utilizar el nuevo electrodoméstico por primera vez, tenga en cuenta los siguientes consejos.

Ventilación del aparato

ATENCIÓN:

Para mejorar la eficacia del sistema de refrigeración y ahorrar energía, es necesario mantener una buena ventilación alrededor del aparato para la disipación del calor. Por este motivo, debe haber disponible un espacio vacío suficiente alrededor del frigorífico. Se aconseja contar con un espacio de 50 a 70 mm en la parte trasera, un mínimo de 100 mm en la parte superior y al menos 100 mm a los lados, así como un espacio libre en la parte delantera que permita que las puertas se abran hasta 135°. Observe las ilustraciones siguientes.



NOTA:

Este electrodoméstico tiene un buen rendimiento en las clases climáticas de la N a la T, que se muestran en la tabla siguiente. Es posible que no funcione correctamente si se expone durante un periodo de tiempo prolongado a una temperatura por debajo o por encima del intervalo que se indica a continuación.

Clase climática	Temperatura ambiente
SN	+10°C a +32°C
N	+16°C a +32°C
ST	+16°C a +38°C
T	+16°C a +43°C

- Coloque el aparato en un lugar seco para evitar humedades elevadas.
- Mantenga el aparato protegido contra la luz del sol, la lluvia y las heladas. Mantenga el aparato apartado de fuentes de calor como hornos, fuego o calefactores.

A Nivelación del frigorífico

- Para una nivelación y circulación de aire suficientes en la parte inferior trasera del aparato, es posible que haya que ajustar los pies del aparato.
- Puede ajustarlos manualmente o utilizando una llave adecuada.
- Para permitir que la puerta se cierre automáticamente, incline la parte superior 10 mm hacia atrás.

B Instalación de la manilla de la puerta

Saque la manilla y los tornillos de la bolsa, retire las láminas protectoras de la manilla, coloque la manilla en el lado derecho de la puerta, fíjela usando los tornillos y coloque las tapas para los tornillos.

Inversión de la puerta

Es posible cambiar la dirección en que se abre la puerta del lado derecho (como se proporciona) al lado izquierdo, si en algún momento precisa realizar dicho cambio.

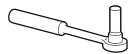
ATENCIÓN:

Si va a cambiar el lado en que la puerta se abre, el aparato debe estar desconectado.

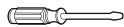
Asegúrese de que el enchufe esté desconectado de la toma de corriente.

Herramientas necesarias

No incluidas



Llave de vaso de 8 mm



Destornillador de punta plana



Espátula



Destornillador de estrella

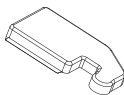


Llave inglesa



Llave de 8 mm

Piezas complementarias (en la bolsa de plástico)



Tapa de bisagra izquierda

NOTA:

Si fuera necesario, puede colocar el frigorífico sobre su parte trasera para poder acceder a la base. Debe colocarlo sobre un embalaje de espuma flexible o un material similar para evitar dañar el panel trasero del frigorífico. Para invertir la puerta, normalmente se recomienda seguir los siguientes pasos.

C Utilice una espátula o un destornillador de punta plana para fijar la tapa del tornillo que se encuentra en la esquina superior izquierda del frigorífico y la tapa de la bisagra que se encuentra en la parte superior derecha del frigorífico.

D Desenrosque los tornillos autorroscantes especiales de la brida, que sirven para fijar la parte superior derecha de la bisagra, usando un destornillador de 8 mm o una llave (al hacerlo, sujete la puerta superior con la mano).

E Retire el eje superior de la bisagra, gírelo la vuelta y apriételo firmemente, luego colóquelo en un lugar seguro.

F Retire la puerta de la bisagra inferior.

NOTA:

Cuando retire la puerta, tenga cuidado de que las arandelas entre la bisagra inferior y la parte baja de la puerta inferior no se peguen a la puerta. No las pierda.

G Colóquela sobre una superficie lisa con el panel hacia arriba. Desenrosque el tornillo **b** y la pieza **a**, luego instálelas sobre el lado izquierdo y apriéte las firmemente.

H Coloque el frigorífico sobre el embalaje de espuma flexible o un material similar. Retire las dos partes inferiores de los pies regulables y la parte inferior de la bisagra desenroscando los tornillos autorroscantes de la brida especial.

I Vuelva a colocar la parte inferior de la bisagra hacia la izquierda y fíjela con los tornillos autorroscantes especiales de la brida. Vuelva a colocar las partes inferiores de los pies regulables sobre el otro lado y fíjelos.

J Coloque la puerta en su posición normal y ajuste la parte inferior de la bisagra introduciendo el eje de la bisagra en el agujero inferior de la puerta.

K Coloque la parte superior de la bisagra, introduzca el eje de la bisagra superior en el agujero superior de la puerta y ajuste la posición de la puerta (sosteniéndola con la mano), fijando la parte superior de la bisagra con los tornillos autorroscantes especiales de la brida.

L Instale la tapa para el agujero del tornillo en la esquina superior derecha del frigorífico. Instale la tapa para la bisagra (que se encuentra en la bolsa de plástico) en la esquina izquierda. Meta la otra tapa para la bisagra en la bolsa de plástico.

M Cambie la manilla del lado izquierdo al lado derecho de la puerta.

ATENCIÓN:

Al cambiar el lado de apertura de la puerta, el aparato no debe estar conectado a la toma de corriente. Debe desconectar el enchufe de la toma de corriente previamente.

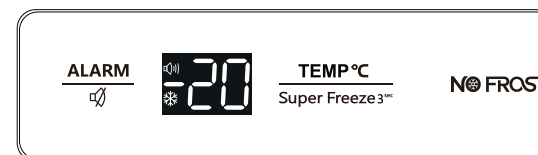
NOTA:

1. Debido a las modificaciones constantes de nuestros productos, su electrodoméstico puede variar ligeramente respecto a lo que se muestra en estas instrucciones, pero sus funciones y modos de uso siguen siendo iguales.
2. Para obtener la mejor eficacia energética del producto, coloque todos los estantes y cajones en su posición original tal y como se indica en la ilustración anterior.
3. Si retira algún cajón, gire la rejilla bajo el cajón 180° hacia arriba y hacia abajo para lograr la mejor eficacia energética.

Controles de pantalla

El panel de control que permite controlar la temperatura en el interior del compartimento del congelador se encuentra en el interior del congelador.

Utilice el electrodoméstico de acuerdo a los ajustes de control siguientes, el dispositivo cuenta con las funciones y los modos correspondientes que se muestran en el panel de control según las siguientes imágenes. Al conectar por primera vez el aparato a la toma de corriente, la retroiluminación de los iconos de la pantalla comenzará a funcionar. Si se cierran las puertas, la retroiluminación se apagará.



Ajuste de temperatura

IMPORTANTE:

Para una conservación óptima de los alimentos, le recomendamos ajustar la temperatura del congelador sobre los -18 °C. Si desea cambiar la temperatura, siga estas instrucciones.

NOTA:

El ajuste de una temperatura elevada acelera la caducidad de los alimentos.

AVISO:

Cuando ajuste la temperatura, ajuste una temperatura media para todo el hueco interior del electrodoméstico. Las temperaturas en el hueco pueden variar con relación a lo que indica la pantalla en función de la cantidad de alimentos dentro del congelador y su emplazamiento. Una temperatura ambiente baja o demasiado alta puede afectar igualmente a la temperatura en el interior del aparato.

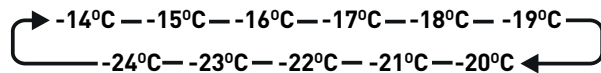
Modo**Supercongelador**

El modo Supercongelador permite bajar la temperatura del congelador para que los alimentos se congelen más rápidamente. Esto puede ayudar a mantener las vitaminas y los nutrientes de los alimentos y conservarlos más frescos durante más tiempo.

- Pulse el botón «TEMP°C/Super freeze 3sec» durante 3 segundos para seleccionar la función «Super Freeze». La pantalla muestra «-24» y el piloto ❄️ se enciende.
- Si se va a congelar una gran cantidad de alimentos, active el super congelador para evitar un aumento de temperatura no deseado y deje que pasen varias horas antes de poder colocar los alimentos frescos en el compartimento del congelador.
- Si se va a utilizar la capacidad de congelación indicada en la placa de características, inicie la congelación 24 horas antes de colocar los productos frescos en el compartimento de congelación; la función de congelación se detiene automáticamente pasado un tiempo.
- Para desactivar la función de «Súper congelación», pulse el botón «TEMP°C/Super freeze 3sec». Si la función de congelación está desactivada, el indicador de congelación ❄️ bloquea la simultaneidad y el aparato cambia automáticamente a la temperatura ajustada antes del modo de congelación.

TEMP

- Puede pulsar el botón «TEMP°C/Super freeze 3sec» para activar el modo de ajuste de la temperatura del congelador. Si mantiene pulsado el botón, la temperatura se regulará en el siguiente orden.

**Alarma de la puerta**

- Si la puerta del congelador permanece abierta durante más de un minuto, la alarma se activa y el indicador 🔊 comienza a parpadear. La alarma sonora se detiene pulsando el botón «ALARM» y el piloto se enciende, pero deja de parpadear.
- Para ahorrar energía, evite dejar la puerta abierta durante mucho tiempo mientras usa el aparato. La alarma de la puerta se puede detener cerrando la puerta.

Uso del aparato

Esta sección explica cómo utilizar la mayoría de las funcionalidades importantes. Le recomendamos leerla atentamente antes de utilizar el aparato.

Uso del compartimento del congelador

El compartimento del congelador sirve para almacenar alimentos que se deben congelar, como carne, pescado, helados y otros alimentos.

AVISO:

Asegúrese de no guardar botellas en el congelador, ya que el hielo podría romperlas.

Estantes

- Los estantes están adaptados para la conservación de los alimentos.
- Para retirar la rejilla: levántela por la parte delantera y tire hacia fuera.

IMPORTANTE:

Para poder beneficiarse al máximo del volumen del compartimento de almacenamiento para alimentos congelados, el usuario puede retirar uno o varios cajones del aparato, según el uso que le vaya a dar. Si retira algún cajón, gire la rejilla bajo el cajón 180° hacia arriba y hacia abajo para lograr la mejor eficacia energética. Para ahorrar energía, no retire el cajón inferior del congelador.

Cajones

Los cajones se pueden utilizar para ordenar los alimentos congelados. Vuelva a poner el cajón en posición horizontal, luego inclínelo hacia arriba para poder retirarlo.

Puede volver a colocar el cajón correctamente en el orden inverso.

AVISO:

No cierre nunca la puerta del congelador si los estantes, la sección superior o los cajones están sacados. Se podrían dañar, así como la puerta del congelador. Este frigorífico no está diseñado para su uso como electrodoméstico empotrado.

Consejos y trucos de utilidad

Consejos para ahorrar energía

Le recomendamos tener en cuenta los siguientes trucos para ahorrar energía.

- Trate de no dejar la puerta abierta demasiado tiempo para conservar la energía.
- No exponga el aparato a fuentes de calor (exposición directa a la luz del sol, hornos eléctricos o cocinas, etc.).
- No ajuste la temperatura por debajo de lo que sea necesario.
- No almacene alimentos calientes ni líquidos que se evaporen en el electrodoméstico.
- Coloque el aparato en una sala bien ventilada sin humedad. Consulte el capítulo «Cómo instalar su nuevo electrodoméstico».
- Si el diagrama muestra una combinación adecuada para los cajones, las bandejas y los estantes, no ajuste la combinación porque ya está dispuesta con la configuración de energía de mayor eficacia.

Consejos para la congelación

- Durante la primera puesta en marcha o si no se ha utilizado durante un largo periodo de tiempo, deje que el aparato funcione durante al menos 2 horas con los ajustes más elevados antes de introducir la comida en el compartimento.
- Prepare los alimentos en porciones pequeñas para que se puedan congelar del todo rápidamente y poder descongelar posteriormente la cantidad deseada.
- Embale los alimentos en papel de aluminio o en embalajes para alimentos de polietileno herméticos.
- No deje que los alimentos frescos no congelados toquen los alimentos que ya están congelados para evitar el aumento de temperatura de estos últimos.
- Si, después de haber sacado los productos helados del compartimento del congelador, se consumen inmediatamente, es posible que provoquen quemaduras por congelación en la piel.

- Se recomienda etiquetar y marcar cada paquete congelado para conocer el tiempo de almacenamiento.

Consejos para el almacenamiento de los alimentos congelados los alimentos congelados

- Asegúrese de que los alimentos congelados se hayan guardado correctamente según lo indicado.
- Una vez que los alimentos se hayan descongelado, se deterioran rápidamente y no se deben volver a congelar. No supere el tiempo de almacenamiento indicado por el fabricante del alimento.

Apagado del aparato

Si va a apagar el aparato durante un largo periodo de tiempo, debe tomar las siguientes medidas para evitar la creación de moho en el aparato.

1. Retire todos los alimentos.
2. Retire el enchufe de la toma de corriente principal.
3. Limpie y seque completamente el interior.
4. Asegúrese de que todas las puertas estén levemente trabadas para permitir la circulación del aire.

Limpieza y mantenimiento

Por motivos de higiene, se debe limpiar el aparato (tanto el exterior como los accesorios interiores) de forma regular al menos cada dos meses.

ATENCIÓN:

El aparato no debe estar conectado a la toma de corriente durante la limpieza, debido al riesgo de descarga eléctrica. Antes de la limpieza, apague el aparato y desconecte el enchufe de la toma de corriente.

Limpieza exterior

Limpie el panel de control con un paño suave y limpio.

- Vierta agua sobre el paño de limpieza en lugar de hacerlo directamente sobre la superficie del aparato. Eso permitirá repartir uniformemente la humedad sobre la superficie.
- Limpie las puertas, las empuñaduras y las superficies interiores con un detergente suave y luego séquelo con un paño suave.

AVISO:

No utilice objetos afilados, ya que podrían rayar la superficie. No utilice disolventes, productos para coches, Clorox, aceites etéreos, agentes abrasivos o solventes orgánicos, tales como el benceno, para limpiar el aparato. Pueden dañar la superficie del aparato y provocar un incendio.

Limpieza interior

Debe limpiar también el interior del aparato de forma regular. Será más fácil limpiarlo cuando la cantidad de alimentos en el interior sea pequeña. Limpie el interior del congelador con una solución de bicarbonato de sodio, luego aclare con agua tibia y una esponja o un paño. Seque completamente antes de volver a colocar los estantes y los cajones en su sitio. Seque bien todas las superficies y piezas extraíbles antes de volver a instalar la bandeja.

Aunque el aparato se descongele automáticamente, puede que aparezca una capa de escarcha en las paredes interiores del compartimento del congelador si la puerta de este último se abre frecuentemente o durante mucho tiempo. Si la cantidad de escarcha es importante, intente hacerlo cuando el congelador esté casi vacío y proceda del siguiente modo:

1. Retire los paneles de alimentos y accesorios existentes, desconecte el aparato de la toma de corriente principal y deje las puertas abiertas. Ventile correctamente la estancia para acelerar el proceso de descongelación.

2. Cuando la descongelación haya finalizado, limpie el congelador como se describe a continuación.

AVISO:

No utilice objetos afilados para retirar el hielo del compartimento de refrigeración. Solamente cuando el interior esté seco, puede volver a encender el aparato conectándolo a la toma de corriente principal.

Limpieza de las juntas de la puerta

Asegúrese de mantener limpias las juntas de la puerta. Los alimentos y las bebidas adherentes pueden bloquear las juntas del electrodoméstico y dañarlas al abrir la puerta. Lave las juntas con detergente suave y agua caliente. Aclárelas y séquelas bien después de la limpieza.

AVISO:

El aparato solo se debe conectar a la red eléctrica cuando las juntas de sellado de la puerta estén completamente secas.

Reparación de averías

Si descubre algún problema en el aparato o cree que no funciona correctamente, puede realizar algunas sencillas comprobaciones antes de llamar al servicio de atención al cliente, como se indica a continuación.

ATENCIÓN:

No intente reparar el electrodoméstico por su cuenta. Si el problema persiste después de haber realizado las comprobaciones que se indican a continuación, póngase en contacto con un electricista cualificado, un técnico autorizado o la tienda donde haya comprado el producto.

Problema	Posibles causas y soluciones
El electrodoméstico no funciona correctamente	Compruebe que el cable de alimentación esté bien conectado a la toma de corriente.
	Compruebe el fusible o el circuito de su red eléctrica y reemplácelo si fuera necesario.
El compartimento expele olor	Es normal que el congelador no funcione durante el ciclo de descongelación o durante un tiempo después de encender el aparato para proteger el compresor.
	Puede que haya que limpiar el interior. Algunos alimentos, contenedores o embalajes provocan olores.
El electrodoméstico emite ruidos	Los siguientes sonidos son bastantes normales: <ul style="list-style-type: none"> • Ruidos de funcionamiento del compresor. • Ruidos de movimientos del aire del motor del ventilador pequeño en el compartimento del congelador o en otros compartimentos. • Sonido de borboteo parecido al del agua hirviendo. • Estallidos durante la descongelación automática. • Tintineos antes del arranque del compresor.
	Otros ruidos poco comunes debidos a los motivos que se exponen a continuación pueden requerir una comprobación y una intervención por su parte: <ul style="list-style-type: none"> • El aparato no está nivelado. • La parte trasera del aparato toca la pared. • Se han caído botellas o contenedores o están rodando.

Problema	Posibles causas y soluciones
El motor funciona permanentemente	<p>Es normal oír frecuentemente el ruido del motor; funcionará más en las siguientes circunstancias:</p> <ul style="list-style-type: none"> • El ajuste de la temperatura es más frío de lo necesario. • Se ha guardado recientemente una gran cantidad de alimentos calientes en el aparato. • La temperatura exterior del aparato es demasiado alta. • Las puertas permanecen abiertas demasiado tiempo o se abren muy a menudo. • Tras la instalación del aparato o si se ha apagado durante un largo periodo de tiempo.
Se produce una capa de escarcha en el compartimento.	Compruebe que las rejillas de ventilación no estén bloqueadas por los alimentos y que los alimentos estén colocados en el aparato de modo que permitan una suficiente ventilación. Asegúrese de que la puerta esté completamente cerrada. Para retirar la escarcha, consulte el capítulo «Limpieza y mantenimiento».
La temperatura en el interior es demasiado caliente	Puede que haya dejado las puertas abiertas durante demasiado tiempo o las haya abierto muy frecuentemente; o que las puertas hayan quedado abiertas como consecuencia de algún obstáculo presente; o que el electrodoméstico esté situado en un lugar donde no tenga un espacio suficiente a los lados, por encima o por debajo.
La temperatura en el interior es demasiado fría	Aumente la temperatura según se explica en las instrucciones del capítulo «Controles de pantalla».
Las puertas no se cierran fácilmente	Compruebe si la parte superior del frigorífico está inclinada hacia atrás 10-15 mm para permitir que las puertas se cierren automáticamente o si hay algo en el interior que impida que las puertas se cierren.
El agua se escurre sobre el suelo	Puede que la bandeja para el agua (situada en la parte trasera del armario) no esté correctamente nivelada o que la boca de drenaje (situada bajo la parte superior del depósito del compresor) no esté colocada correctamente para dirigir el agua a la bandeja o que el distribuidor de agua esté obstruido. Puede que tenga que retirar el frigorífico de la pared para comprobar el recipiente y la boca de vertido.

Consejos de almacenamiento

Comando	TIPO de compartimento	Temperatura de almacenamiento a alcanzar. [°C]	Alimentos adecuados
1	(***)*-Congelador	≤-18	Pescado y marisco (pescados, langostinos, moluscos, crustáceos), productos de agua dulce y productos cárnicos (recomendado como máximo 3 meses; cuanto más tiempo dure la conservación, mayor gusto y valores nutritivos perderá el alimento); adaptados para los productos congelados.
2	***-Congelador	≤-18	Pescado y marisco (pescados, langostinos, moluscos, crustáceos), productos de agua dulce y productos cárnicos (recomendado como máximo 3 meses; cuanto más tiempo dure la conservación, mayor gusto y valores nutritivos perderá el alimento); no están adaptados para los productos frescos congelados.
3	** -Congelador	≤-12	Pescado y marisco (pescados, langostinos, moluscos, crustáceos), productos de agua dulce y productos cárnicos (recomendado como máximo 2 meses; cuanto más tiempo dure la conservación, mayor gusto y valores nutritivos perderá el alimento); no están adaptados para los productos frescos congelados.
4	*-Congelador	≤-6	Pescado y marisco (pescados, langostinos, moluscos, crustáceos), productos de agua dulce y productos cárnicos (recomendado como máximo 1 mes; cuanto más tiempo dure la conservación, mayor gusto y valores nutritivos perderá el alimento); no están adaptados para los productos frescos congelados.

Comando	TIPO de compartimento	Temperatura de almacenamiento a alcanzar. [°C]	Alimentos adecuados
5	0-estrellas	-6-0	Cerdo fresco, ternera, pescado, pollo, ciertos alimentos tratados embalados, etc. (se recomienda comérselos el mismo día, preferentemente no después de 3 días), alimentos tratados parcialmente encapsulados (alimentos no congelados)

NOTA:

Almacene los distintos alimentos en función de los compartimentos o la temperatura de almacenamiento que deben alcanzar los productos comprados.

- Si se deja el frigorífico vacío durante largos periodos de tiempo, apáguelo, límpielo, séquelo y deje la puerta abierta para evitar la aparición de moho en el aparato.

Para evitar contaminar los alimentos, tenga en cuenta las siguientes instrucciones:

- La apertura de la puerta durante largos periodos de tiempo puede provocar un aumento significativo de la temperatura en los compartimentos del aparato.
- Limpie regularmente las superficies que puedan entrar en contacto con los alimentos y los sistemas de drenaje accesibles.
- Conserve la carne y el pescado crudos en recipientes adecuados para el frigorífico, de modo que no entren en contacto con otros alimentos o no escurran encima de ellos.
- Los compartimentos para alimentos congelados de dos estrellas sirven para la conservación de alimentos precongelados, la conservación o fabricación de helados y cubitos de hielo.
- Los compartimentos de una, dos y tres estrellas no sirven para la congelación de alimentos frescos.