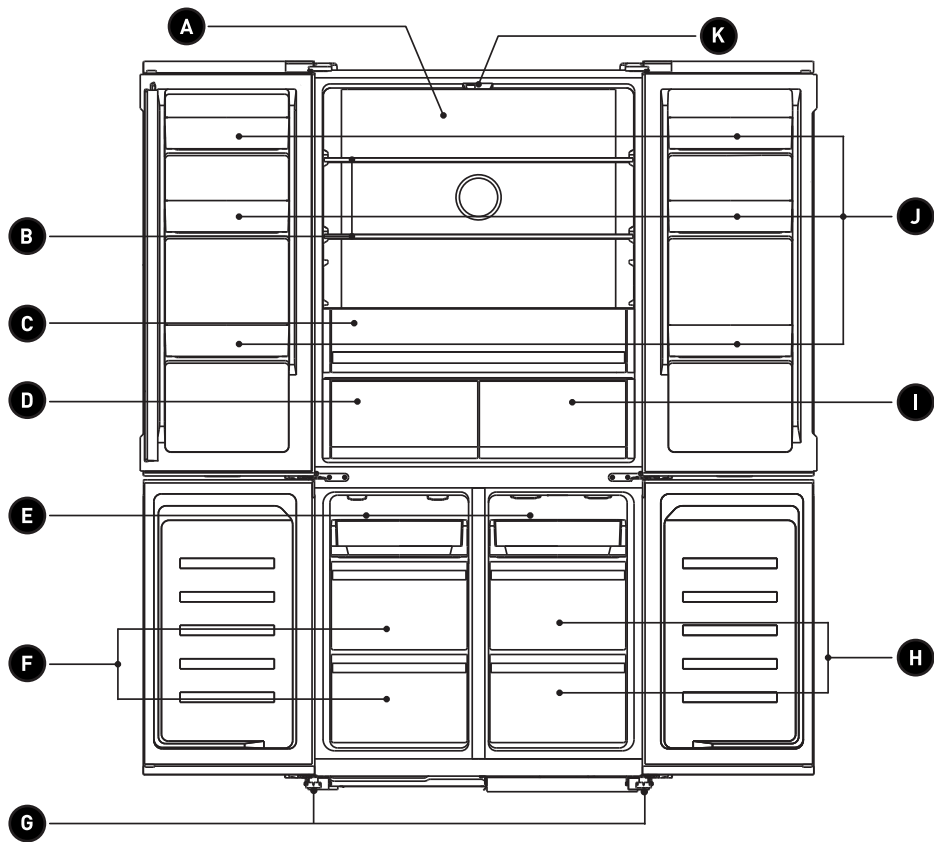


Fridge freezer
Réfrigérateur-congélateur
Koel-vriescombinatie
Frigorífico-congelador

10015185 - 4D 505 D WBS742C

| | |
|-------------------------|---------|
| INSTRUCTIONS FOR USE |02 |
| CONSIGNES D'UTILISATION |22 |
| GEBRUIKSAANWIJZINGEN |44 |
| INSTRUCCIONES DE USO |66 |

VALBERG





Thank you!

Thank you for choosing this VALBERG product. VALBERG products are chosen, tested, and recommended by ELECTRO DEPOT, so you can be sure you are getting a top-quality, easy-to-use product that won't let you down.

We're confident your new device will be a pleasure to use every day!

Welcome to ELECTRO DEPOT.



ELECTRO DEPOT

Table of Contents

A

Product overview

Parts

B

Product usage

Installation
User interface
Daily Use
Helpful hints and tips

C

**Cleaning and
maintenance**

Cleaning and maintenance
Troubleshooting

Parts

A Metal Air Duct

B Refrigerator Shelves

C Huge Crisper Zone

D Nature Zone

E Sliding Tray

F Huge Freezing Drawer

G Leveling Feet

H Huge Convertible Drawer

I Smart Zone

J Door Balcony

K LED Light



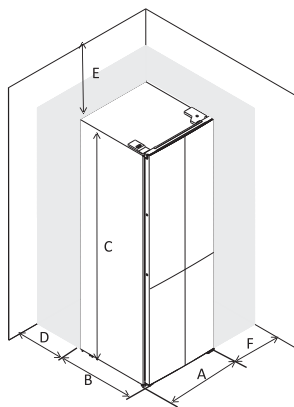
Note:

This illustration is only for hinting, the detail please check your appliance.

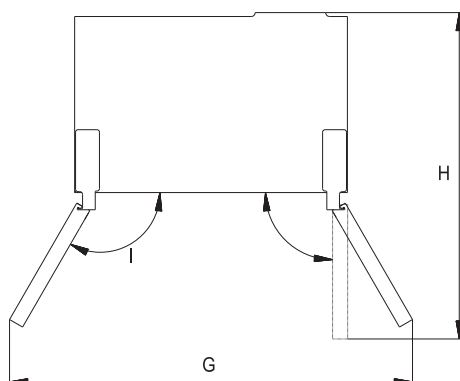
Installation

Space Requirement

- Keep enough space of door open.
- Freestanding installation and slot-in installation have different maximum door open angle.

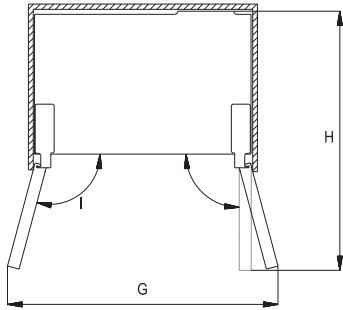


Freestanding installation



| | |
|----|------|
| A: | 905 |
| B: | 597 |
| C: | 1902 |
| D: | 3 |
| E: | 6 |
| F: | 6 |
| G: | 1335 |
| H: | 1020 |
| I: | 120° |

Slot-in installation



A: 905

B: 597

C: 1902

D: 3

E: 6

F: 6

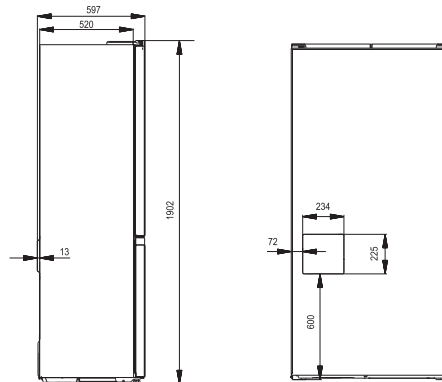
G: 1128

H: 1020

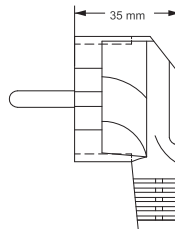
I: 105°

Hints about positional interference

- The PCB cover was designed to ensure correct distance between refrigerator backboard and wall, the closest position between refrigerator and wall is when PCB cover touch wall.
- The position and dimension of PCB cover as below shows, please consider the position of electrical socket to avoid positional interference with the PCB cover.



- The dimension of plug as below shows, please consider the thickness of socket and electrical socket if the electrical socket located at the back of refrigerator.

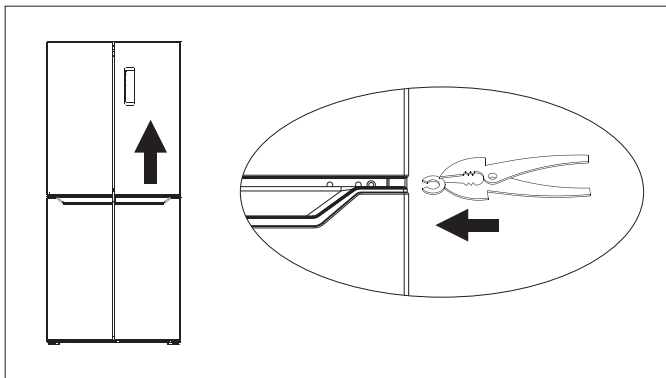


Level doors

After transportation or door balconies are loaded by food or beverage, upper two doors may not be aligned. There are 3 C type washers which are used to adjust doors. Please follow below process to level doors.



- Before check alignment of doors, please make sure appliance stand levelly .
- If top of upper two doors looks not in a line, please slightly lift lower door and insert a pieces of C type washer by a clip between bottom of door and middle hinge.

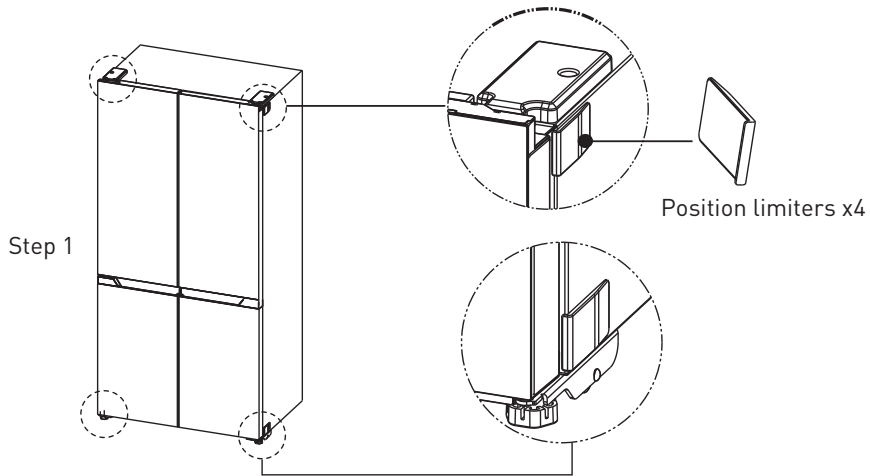
**Warning!**

- Please be careful to avoid fingers are clipped by door. Please use tool.
- Please keep C type washers far away children to avoid them are swallowed by children. They are small parts.

1. Install limiters

During daily use, the refrigerator may have slightly move. To ensure the refrigerator keep in correct position with cupboard, you could use the position limiter before place the refrigerator into cupboard.

1. Take out 4 position limiters from accessory bag;
2. Wipe off the dust on the corners of the refrigerator;
3. Remove the double-sided tape on the limiter, align it with the corners of the refrigerator, and stick it.

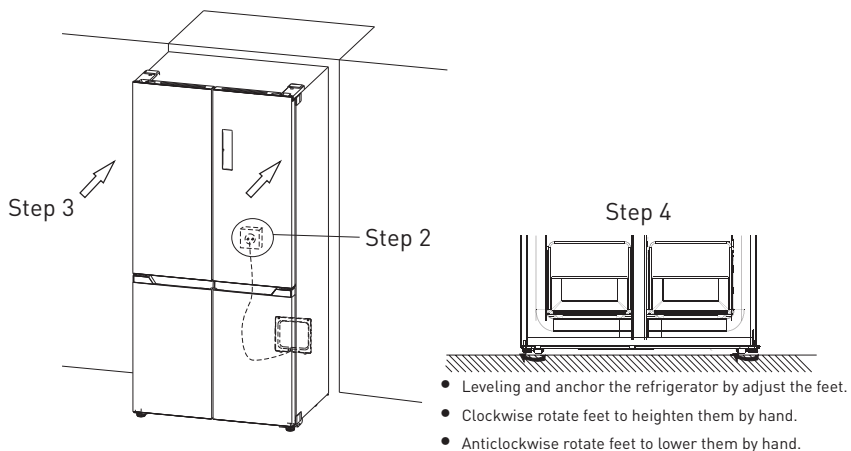


2. Plug the refrigerator

3. Push the refrigerator to the reserved position

There are 4 wheels and 2 adjustable feet under the refrigerator. To prevent potential damage with floor, please heighten the adjustable feet before pushing.

4. Adjust the adjustable feet lower to stable the refrigerator



Positioning

Install this appliance at a location where the ambient temperature corresponds to the climate class indicated on the rating plate of the appliance:

For refrigerating appliances with climate class:

- extended temperate: this refrigerating appliance is intended to be used at ambient temperatures ranging from 10 °C to 32 °C; (SN)
- temperate: this refrigerating appliance is intended to be used at ambient temperatures ranging from 16 °C to 32 °C; (N)
- subtropical: this refrigerating appliance is intended to be used at ambient temperatures ranging from 16 °C to 38 °C; (ST)
- tropical: this refrigerating appliance is intended to be used at ambient temperatures ranging from 16 °C to 43 °C; (T)

Location

The appliance should be installed well away from sources of heat such as radiators, boilers, direct sunlight etc. Ensure that air can circulate freely around the back of the cabinet. To ensure best performance, if the appliance is positioned below an overhanging wall unit, the minimum distance between the top of the cabinet and the wall unit must be at least 50 mm. Ideally, however, the appliance should not be positioned below overhanging wall units. Accurate leveling is ensured by one or more adjustable feet at the base of the cabinet.

This refrigerating appliance is not intended to be used as a built-in appliance;



Warning! It must be possible to disconnect the appliance from the mains power supply; the plug must therefore be easily accessible after installation.

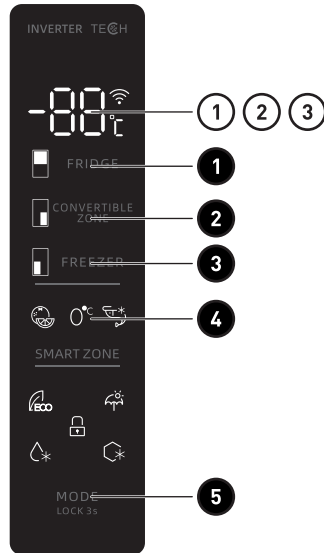
Electrical connection

Before plugging in, ensure that the voltage and frequency shown on the rating plate correspond to your domestic power supply. The appliance must be earthed. The power supply cable plug is provided with a contact for this purpose. If the domestic power supply socket is not earthed, connect the appliance to a separate earth in compliance with current regulations, consulting a qualified electrician.

The manufacturer declines all responsibility if the above safety precautions are not observed. This appliance complies with the E.E.C. Directives.

User interface

Using the Control Panel



Key operation

- 1** Fridge Temp. Setting

- 2** Convertible Zone Temp. Setting

- 3** Freezer Temp. Setting

- 4** Smart Zone Setting (baby care, 0°C fresh, soft freeze)

- 5** Locking / Unlocking / Mode Setting

LED display

- 1** Temperature of Fridge Compartment

- 2** Temperature of Freezer Compartment

- 3** Temperature of Convertible Compartment

Operating condition

- The control panel is 100% lit up for 3 seconds, which operates exactly as per the setting (mode and temperature) before the poweroff. The system will be automatically locked 25 seconds after the last key operation. After locking, the light of the panel would be out 120 seconds after the last key operation.
- The Fridge / Freezer / Convertible Zone temperature will be showed separately by setting each zone temperature.

Display

- The panel will be lit up for 2 minutes once the door of fridge compartment or freezer compartment is opened. (one door signal is sensed at a time)
- The panel will be lit up by any key operation whereas the light would be out 2 minutes after the last operation.
- Display during normal operation
 - Temperature Display of the Fridge Compartment: Indicating the temperature of the current setting.
 - Temperature Display of the Freezer Compartment: Indicating the temperature of the current setting.
 - Temperature Display of the Convertible Compartment: Indicating the temperature of the current setting.

Illusion of the key

Temperature Control of the Fridge Compartment

- Temperature Control of the Fridge Compartment: This key is workable both in User Defined Mode as well as Super Mode. After entering the temperature control of the fridge compartment, this key flashes. By touching the key consecutively, the temperature would change in a circle of "2°C, 3°C, 4°C, 5°C, 6°C, 7°C, 8°C, --[off]", after which 5-second flashing means the selection of temperature is settled.
- Shut off of the Fridge Compartment: Press the key of "Temperature Control of Fridge Compartment", choose "--", a 5-second flashing means the selection of temperature is made, namely the fridge compartment would stop refrigeration.

Temperature Control of the Freezer Compartment

Temperature Control of the Freezer Compartment: This key is workable both in User Defined Mode as well as Holiday Mode. After entering the temperature control of the freezer compartment, the key flashes. By touching the key consecutively, the temperature would change in a circle of "-14°C, -15°C, -16°C, -17°C, -18°C, -19°C, -20°C, -21°C, -22°C", after which a 5-second flashing means the selection of temperature is settled.

Temperature Control of the Convertible Compartment

- Temperature Control of the Convertible Compartment: This key is workable both in User Defined Mode as well as other models. After entering the temperature control of the Convertible compartment, this key flashes. By touching the key consecutively, the temperature would change in a circle of "5°C, 4°C, 3°C, 2°C, 1°C, 0°C, -1°C, -2°C, -3°C, -4°C, -5°C, -6°C, -7°C, -8°C, -9°C, -10°C, -11°C, -12°C, -13°C, -14°C, -15°C, -16°C, -17°C, -18°C, -19°C, -20°C, --[off]", after which 5-second flashing means the selection of temperature is settled.

- Shut off of the Fridge Convertible Compartment:
Press the key of "Temperature Control of Convertible Compartment", choose "- - ", a 5-second flashing means the selection of temperature is made, namely the convertible compartment would stop refrigeration.

Temperature Control of the Smart zone Compartment

This key is workable both in User Defined Mode as well as Super Mode. By touching the key consecutively, the logo would light in a circle of "baby care, 0°C fresh, soft freeze", and the corresponding temperature is:

- baby care: 3°C,
- 0°C fresh: 0°C,
- soft freeze: -1.5°C.

Mode / Locking / Unlocking

- By touching this key consecutively, the operation mode of the refrigerator will change in a circle of "ECO Mode - Holiday Mode - Super Mode - User Defined Mode. A 5-second flashing means the selection of temperature is settled.
- Long Press to Enter / Exit Locking Mode
 - Unlocking: Press for 3 seconds in the mode of locking, all the keys would be unlocked after the a beep.
 - Locking: Press for 3 seconds in the mode of unlocking, all the keys would be locked after the a beep.

Press Button

- Short beep after per press button.
- All buttons will only valid under unlock mode.

Lock Fnciton

- No operation in 25 sec will lock the display automatically.

ECO Mode

Press mode to choose ECO Mode. ECO icon keeps bright after 5 sec flashing to enter ECO Mode. The temperature of Fridge and Freezer is set according the following temperature:

| Ambient temperature (T) | $T \leq 13^{\circ}\text{C}$ | $13^{\circ}\text{C} < T \leq 20^{\circ}\text{C}$ | $20^{\circ}\text{C} < T \leq 27^{\circ}\text{C}$ | $27^{\circ}\text{C} < T \leq 34^{\circ}\text{C}$ | $T > 34^{\circ}\text{C}$ |
|-------------------------|-----------------------------|--|--|--|--------------------------|
| Fridge temperature | 3°C | 4°C | 5°C | 6°C | 8°C |
| Freezer temperature | -18°C | -18°C | -18°C | -16°C | -15°C |

"Freezer" & "Fridge" button will not work in ECO Mode. The temperature of convertible compartment can be adjusted freely by operating the convertible zone temp. setting. Exit Eco Mode: Choose mode, exit ECO Mode after 5 sec, entering the selected mode.

Holiday Mode

- Press mode to choose Holiday Mode, the icon keeps bright after 5 sec flashing, entering holiday mode.
- Temperature fix 17°C in fridge compartment, "fridge" button in vain, while Holiday icon will flash three times in alarm.
- Temperature of freezer compartment and convertible compartment can be adjusted freely.
- Exit Holiday Mode: Choose mode, exit Holiday Mode after 5 sec, entering the selected mode.

Power Cool Mode

- Press mode to choose Power Cool Mode, the icon keeps bright after 5 sec flashing.
- Temperature fix 2°C in fridge compartment, "fridge" button in vain, while Power Cool icon will flash three times in alarm.
- Temperature of freezer compartment and convertible compartment can be adjusted freely.
- The Power Cool Mode will automatically exit after 2.5 hours of activation.

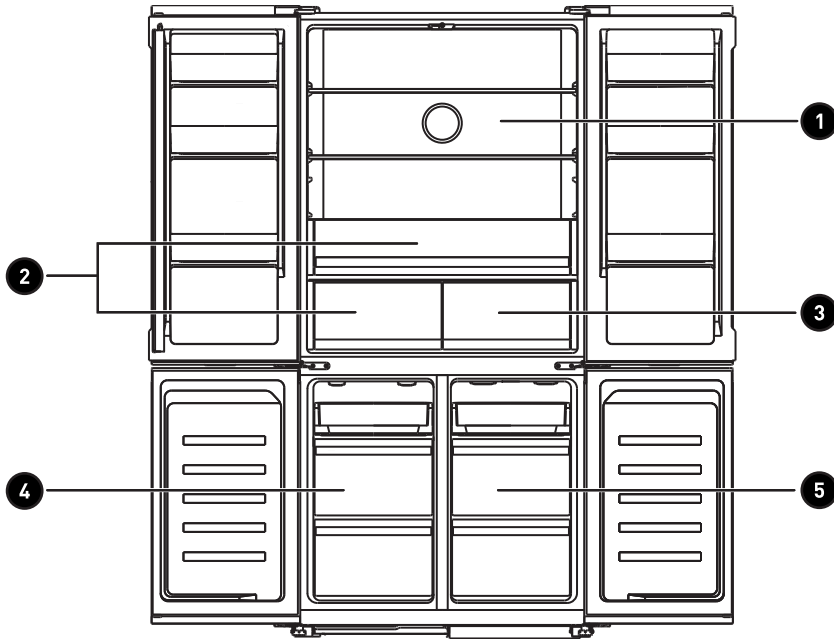
Super Freezing mode

- Choose mode, the icon keeps bright after 5 sec flashing, entering Freezing Mode.
- Freezing mode:
 - Temperature fix -25°C in freezing compartment, "freezer" button in vain, while freezing icon will flash three times in alarm.
 - Temperature of fridge compartment and convertible compartment can be adjusted freely.
- Exit Freezing Mode: meeting below conditions.
 - manually exit Freezing Mode.
 - freezing period more than 50 hours
- Mode remains the same before entering super freezing mode.

Door Open Alarm

If fridge or freezer door keeps open for 60 seconds, periodical alarm will be arisen and repeat this cycle until the door is closed.

Multi-Temperature Zone



- 1 Fridge temp. 2°C ~ 8°C/ Off Controlled by operating display panel

- 2 Crisper & Nature Zone. 2°C ~ 8°C

- 3 Smart zone temp. -1.5°C / 0°C / 3°C

- 4 Freezer temp. -22°C ~ -14°C
Controlled by operating display panel

- 5 Convertible zone temp. -20°C ~ 5°C / Off
Controlled by operating display panel

Daily Use

First use

Cleaning the interior

Before using the appliance for the first time, wash the interior and all internal accessories with lukewarm water and some neutral soap so as to remove the typical smell of a brand new product, then dry thoroughly.






Important! Do not use detergents or abrasive powders, as these will damage the finish.

Daily use

Position different food in different compartments according to be below table.

| Refrigerator compartments | Type of food |
|---|--|
| Door or balconies of fridge compartment | <ul style="list-style-type: none"> • Foods with natural preservatives, such as jams, juices, drinks, condiments. • Do not store perishable foods. |
| Crisper zone | <ul style="list-style-type: none"> • Fruits, herbs and vegetables should be placed separately in the crisper bin. • Do not store bananas, onions, potatoes, garlic in the refrigerator. |
| Fridge shelf | <ul style="list-style-type: none"> • Dairy food, eggs, cakes, pasta, pizza. • Foods that do not need cooking, such as ready-to-eat foods, deli meats, leftovers. |
| Nature zone | <ul style="list-style-type: none"> • Locking humidity & fresh. Prolong preservation time. • Fresh fruit and vegetables, treasure food. |
| Smart zone | <ul style="list-style-type: none"> • Baby care: 3°C, independent storage & treasure food. • 0°C fresh: 0°C, drinks, beer, red wine, treasure. • Soft freeze: -1.5°C, chilling foods for short-term storage, such as raw meat, fish, seafood, dumplings. |
| Convertible compartment | <ul style="list-style-type: none"> • -20°C ~ 5°C, wide range variable temperature. • 3°C ~ 5°C: fresh fruit, vegetables. • 0°C ~ 2°C: drinks, beer, red wine, treasure. • -7°C ~ -1°C: chilling foods for short-term storage, such as raw meat, fish, seafood, dumplings. • -20°C ~ -8°C: chilling foods for long-term storage, such as raw meat, fish, seafood, dumplings. |
| Freezer compartment | <ul style="list-style-type: none"> • Foods for long-term storage. • Seafood, fish, meat, dumplings, frozen baked goods. |

Temperature setting recommendation

| Temperature setting recommendation | |
|------------------------------------|---|
| Environment Temperature | Temperature Setting |
| Summer (Above 32°C) | Fridge set on 2°C Smart zone set on  Convertible zone set on 5/-19°C Freezer set on -19°C |
| Normal | Fridge set on 3°C Smart zone set on  Convertible zone set on 5/-19°C Freezer set on -19°C Fridge set on 3°C |
| Winter (Below 16°C) | Smart zone set on  Convertible zone set on 5/-19°C Freezer set on -19°C |



- Information above give users recommendation of temperature setting.
- Temperature of convertible zone setting depends on food leading.

Impact on Food Storage

- Under Recommended setting, the best storage time of fridge is no more than 3 days.
- Under Recommended setting, the best storage time of freezer is no more than 1 month.
- The best storage time may reduce under other settings.

Freezing fresh food

- The freezer compartment is suitable for freezing fresh food and storing frozen and deep-frozen food for a long time.

- Place the fresh food to be frozen in the freezer compartment.
- The maximum amount of food that can be frozen in 24 hours is specified on the rating plate.
- The freezing process lasts 24 hours: during this period do not add other food to be frozen.

Storing frozen food

- When first starting-up or after a period out of use before putting the product in the compartment let the appliance run at least 2 hours on the higher settings.



Important! In the event of accidental defrosting, for example the power has been off for longer than the value shown in the technical characteristics chart under "rising time", the defrosted food must be consumed quickly or cooked immediately and then re-frozen (after cooked).

Thawing

Deep-frozen or frozen food, prior to be used, can be thawed in the fridge compartment or at room temperature, depending on the time available for this operation. Small pieces may even be cooked still frozen, directly from the freezer. In this case, cooking will take longer.

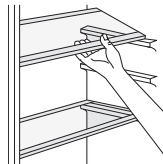
Ice-cube

This appliance may be equipped with one or more ice-cube to produce ice.

Accessories

Movable shelves

The walls of the refrigerator are equipped with a series of runners so that the shelves can be positioned as desired.



Position the door balconies

To permit storage of food packages of various sizes, the door balconies can be placed at different heights. To make these adjustments proceed as follows: gradually pull the balcony in the direction of the arrows until it comes free, then reposition as required.



Helpful hints and tips

To help you make the most of the freezing process, here are some important hints:

- the maximum quantity of food which can be frozen in 24 hrs. is shown on the rating plate;
- the freezing process takes 24 hours. No further food to be frozen should be added during this period;
- only freeze top quality, fresh and thoroughly cleaned, foodstuffs;
- prepare food in small portions to enable it to be rapidly and completely frozen and to make it possible subsequently to thaw only the quantity required;
- wrap up the food in aluminium foil or polythene and make sure that the packages are airtight;
- do not allow fresh, unfrozen food to touch food which is already frozen, thus avoiding a rise in temperature of the latter;
- lean foods store better and longer than fatty ones; salt reduces the storage life of food;
- water ices, if consumed immediately after removal from the freezer compartment, can possibly cause the skin to be freeze burnt;
- it is advisable to show the freezing in date on each individual pack to enable you removal from the freezer compartment, can possibly cause the skin to be freeze burnt;
- it is advisable to show the freezing in date on each individual pack to enable you to keep tab of the storage time.

Hints for storage of frozen food

To obtain the best performance from this appliance, you should:

- make sure that the commercially frozen foodstuffs were adequately stored by the retailer;
- be sure that frozen foodstuffs are transferred from the food store to the freezer in the shortest possible time;
- not open the door frequently or leave it open longer than absolutely necessary.
- Once defrosted, food deteriorates rapidly and cannot be re-frozen.
- Do not exceed the storage period indicated by the food manufacture.

Hints for fresh food refrigeration

To obtain the best performance:

- Do not store warm food or evaporating liquids in the refrigerator.
- Do cover or wrap the food, particularly if it has a strong flavour.
- Make (all types): wrap in polythene bags and place on the glass shelves above the vegetable drawer.
- For safety, store in this way only one or two days at the most.
- Cooked foods, cold dishes etc...: these should be covered and may be placed on any shelf.
- Fruit and vegetables: these should be thoroughly cleaned and placed in the special drawer(s) provided.
- Butter and cheese: these should be placed in special airtight containers or wrapped in aluminum foil or polythene bags to exclude as much air as possible.
- Milk bottle: these should have a cap and should be stored in the balconies on the door.
- Bananas, potatoes, onions and garlic, if not packed, must not be kept in the fridge.

Cleaning and maintenance

For hygienic reasons the appliance interior, including interior accessories, should be cleaned regularly.



Caution! The appliance may not be connected to the mains during cleaning. Danger of electrical shock! Before cleaning switch the appliance off and remove the plug from the mains, or switch off or turn out the circuit breaker or fuse. Never clean the appliance with a steam cleaner. Moisture could accumulate in electrical components, danger of electrical shock! Hot vapors can lead to the damage of plastic parts. The appliance must be dry before it is placed back into service.



Important! Ethereal oils and organic solvents can attack plastic parts, e.g. lemon juice or the juice from orange peel, butyric acid, cleanser that contain acetic acid.

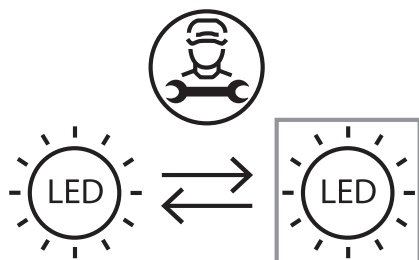
- Do not allow such substances to come into contact the appliance parts.
- Do not use any abrasive cleaners.
- Remove the food from the freezer. Store them in a cool place, well covered.
- Switch the appliance off and remove the plug from the mains, or switch off or turn out the circuit breaker of fuse.
- Clean the appliance and the interior accessories with a cloth and lukewarm water. After cleaning wipe with fresh water and rub dry.
- After everything is dry place appliance back into service.

Defrost Description (No Frost)

It is a total no frost refrigerator-freezer which will be defrosted automatically.

Replace the lamp

- This product contains a light source of energy efficiency class F on top of the fridge compartment.
- This product contains a light source of energy efficiency class exemption on back of the fridge air duct.
- This product contains two lights source of energy efficiency class exemption on top of the freezer compartment.
- Light source in this product can only be replaced by qualified professionals.
- Please contact after-sales service if the light source fails.
- The light source shall be removed at the end of the product's useful life, with sorting and recycling done separately.



«COLD AREA» indicator



The sign opposite can be found in your fridge.

It clearly shows the coldest zone of your appliance, where the temperature is lower than or equal to +4°C.

A temperature gauge in this zone allows you to check the settings of your fridge.



Adjust the thermostat



Temperature correct

Troubleshooting



Caution! Before troubleshooting, disconnect the power supply. Only a qualified electrician or competent person must do the troubleshooting that is not in this manual.



Important! There are some sounds during normal use (compressor, refrigerant circulation).

| Problem | Possible Cause | Solution |
|---|---|--|
| Appliance does not work | <ul style="list-style-type: none"> • Mains plug is not plugged in or is loose • Fuse has blown or is defective • Socket is defective | <ul style="list-style-type: none"> • Insert mains plug. • Check fuse, replace if necessary. • Mains malfunctions are to be corrected by an electrician. |
| Appliance freezes or cools too much | <ul style="list-style-type: none"> • Temperature is set too cold or the appliance runs at SUPER modes. | <ul style="list-style-type: none"> • Turn the temperature regulator to a warmer setting temporarily. |
| The food is not frozen enough. | <ul style="list-style-type: none"> • Temperature is not properly adjusted. • Door was open for an extended period. • A large quantity of warm food was placed in the appliance within the last 24 hours. • The appliance is near a heat source. | <ul style="list-style-type: none"> • Please look in the initial Temperature Setting section. • Open the door only as long as necessary. • Turn the temperature regulation to a colder setting temporarily. • Please look in the installation location section. |
| Heavy build up of frost on the door seal. | <ul style="list-style-type: none"> • Door seal is not air tight. | <ul style="list-style-type: none"> • Carefully warm the leaking sections of the door seal with a hair dryer (on a cool setting). At the same time shape the warmed door seal by hand such that it sits correctly. |
| Unusual noises | <ul style="list-style-type: none"> • Appliance is not level. • The appliance is touching the wall or other objects. • A component, e.g. a pipe, on the rear of the appliance is touching another part of the appliance or the wall. | <ul style="list-style-type: none"> • Re-adjust the feet. • Move the appliance slightly. • If necessary, carefully bend the component out of the way. |
| Water on the floor | <ul style="list-style-type: none"> • Water drain hole is blocked. | <ul style="list-style-type: none"> • See the Cleaning and Care section. |

If the malfunction shows again, contact the Service Center.

These data are necessary to help you quickly and correctly. Write the necessary data here, refer to the rating plate.

Merci !

Merci d'avoir choisi ce produit VALBERG.
Choisis, testés et recommandés par ELECTRO DEPOT,
les produits de la marque VALBERG vous assurent
une utilisation simple, une performance fiable et
une qualité irréprochable.
Grâce à cet appareil, vous savez que chaque utilisation
vous apportera satisfaction.

Bienvenue chez ELECTRO DEPOT.

Visitez notre site Internet : www.electrodepot.fr
www.electrodepot.be

VOTRE AVIS COMPTE !



**PARTAGEZ
VOTRE EXPERIENCE
SUR LES PRODUITS**

Parce que votre satisfaction est notre priorité, nous vous proposons
de donner votre avis sur ce produit. Il sera transmis et analysé par
nos équipes afin d'améliorer continuellement le produit.

Donnez votre avis sur <http://www.electrodepot.fr/avis-client>



ELECTRO DEPOT

22

FR

Table des matières

A

Aperçu de l'appareil

Pièces

B

**Utilisation de
l'appareil**

Installation
Interface utilisateur
Usage quotidien
Conseils et astuces utiles

C

**Nettoyage et
entretien**

Nettoyage et entretien
Guide de dépannage

Les notices sont aussi disponibles sur le site
<http://www.electrodepot.fr/sav/notices/>
<http://www.electrodepot.be/fr/sav/notices>

Pièces

- | | |
|---------------------------------------|-----------------------------------|
| A Conduit d'air métallique | G Pieds réglables |
| B Clayettes de réfrigérateur | H Grand tiroir convertible |
| C Grande zone de bac à légumes | I Zone intelligente |
| D Zone Nature | J Balconnet de porte |
| E Plateau coulissant | K Lumière LED |
| F Grand tiroir de congélation | |

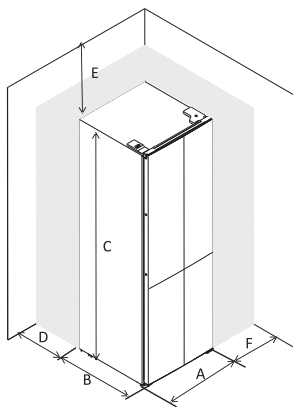
**Remarque :**

Cette illustration est fournie à titre de guide uniquement. Veuillez vous référer à votre appareil pour plus de détails.

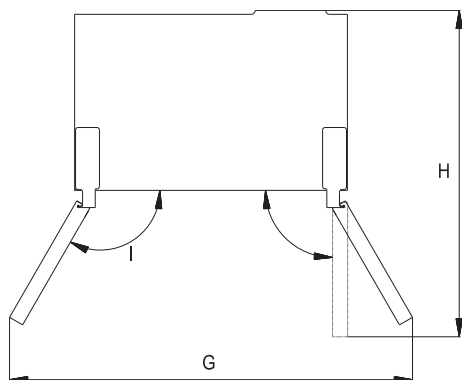
Installation

Espace requis

- Veillez à laisser assez d'espace pour que la porte puisse être complètement ouverte.
- L'angle d'ouverture maximal de la porte est différent pour une installation en pose libre et pour une installation dans un meuble.



Installation en pose libre



| | |
|-----|-----|
| A : | 905 |
|-----|-----|

| | |
|-----|-----|
| B : | 597 |
|-----|-----|

| | |
|-----|-------|
| C : | 1 902 |
|-----|-------|

| | |
|-----|---|
| D : | 3 |
|-----|---|

| | |
|-----|---|
| E : | 6 |
|-----|---|

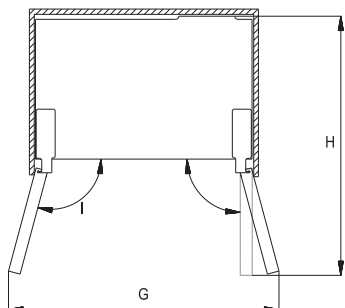
| | |
|-----|---|
| F : | 6 |
|-----|---|

| | |
|-----|-------|
| G : | 1 335 |
|-----|-------|

| | |
|-----|-------|
| H : | 1 020 |
|-----|-------|

| | |
|-----|------|
| I : | 120° |
|-----|------|

Installation dans un meuble



A : 905

B : 597

C : 1 902

D : 3

E : 6

F : 6

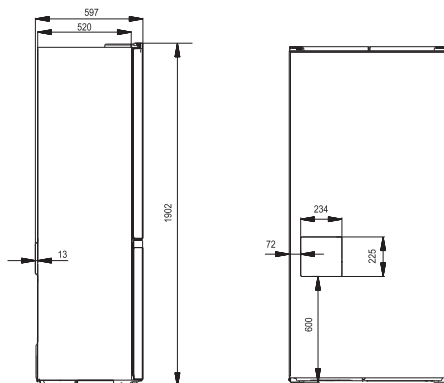
G : 1128

H : 1 020

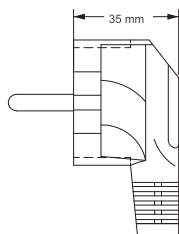
I : 105°

Conseils relatifs aux interférences de positionnement

- Le couvercle du circuit imprimé a été conçu pour garantir une distance adéquate entre le panneau arrière du réfrigérateur et le mur. Lorsque le couvercle du circuit imprimé touche le mur, il s'agit de la distance minimale possible entre le réfrigérateur et le mur.
- La position et les dimensions du couvercle du circuit imprimé sont indiquées plus bas. Veuillez tenir compte de l'emplacement de la prise électrique pour éviter toute interférence de positionnement avec le couvercle du circuit imprimé.



- Les dimensions de la fiche sont indiquées ci-dessous. Veuillez tenir compte de l'épaisseur de la prise et de la prise électrique si celle-ci est située à l'arrière du réfrigérateur.

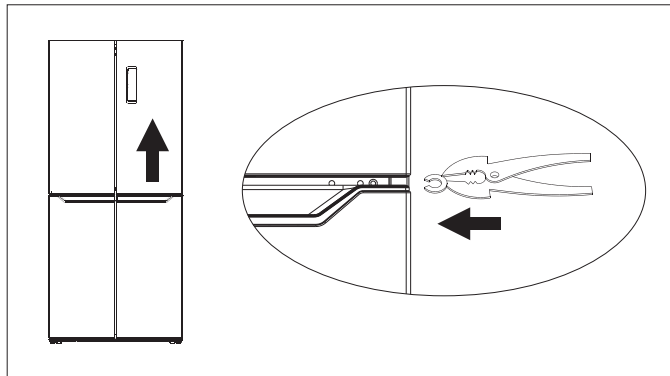


Mise à niveau des portes

Après le transport ou lorsque des aliments ou boissons sont placés sur les balconnets de porte, les deux portes du haut peuvent ne plus être alignées. Vous pouvez utiliser les 3 rondelles de type C pour ajuster la position des portes. Veuillez suivre les étapes ci-dessous pour mettre les portes à niveau.



- Avant de vérifier l'alignement des portes, veuillez vous assurer que l'appareil est à niveau.
- Si les sommets des deux portes du haut ne sont pas alignés, soulevez légèrement la porte du bas et insérez une rondelle de type C en la clipsant entre le bas de la porte et la charnière centrale.



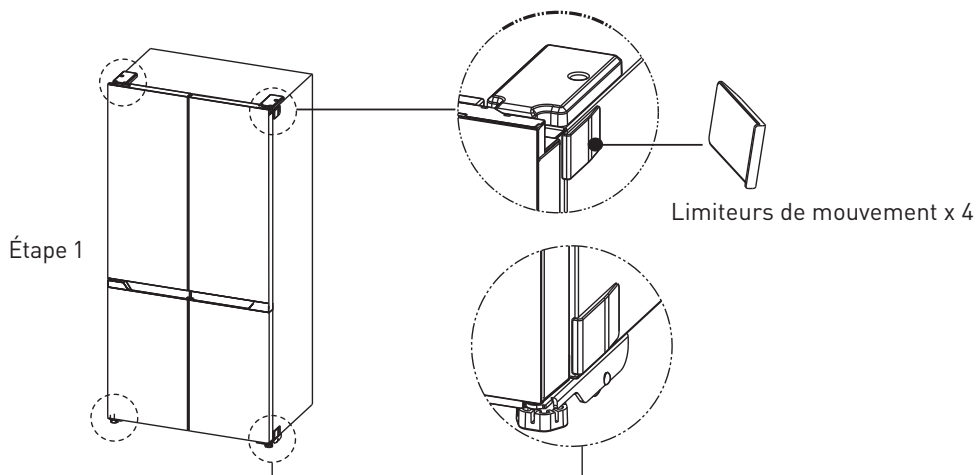
Avertissement !

- Veillez à éviter de vous coincer les doigts dans la porte. Veuillez utiliser un outil.
- Gardez les rondelles de type C hors de portée des enfants pour éviter tout risque d'ingestion. Ce sont de petites pièces.

1. Installez les limiteurs

Au cours de l'utilisation quotidienne, il est possible que le réfrigérateur bouge légèrement. Pour garantir le positionnement correct du réfrigérateur dans le meuble, vous pouvez utiliser les limiteurs de mouvement avant de l'installer dans le meuble.

1. Sortez les 4 limiteurs de mouvement du sac d'accessoires ;
2. Essuyez la poussière sur les coins du réfrigérateur ;
3. Retirez le ruban adhésif double face du limiteur, alignez-le avec les coins du réfrigérateur et collez-le.

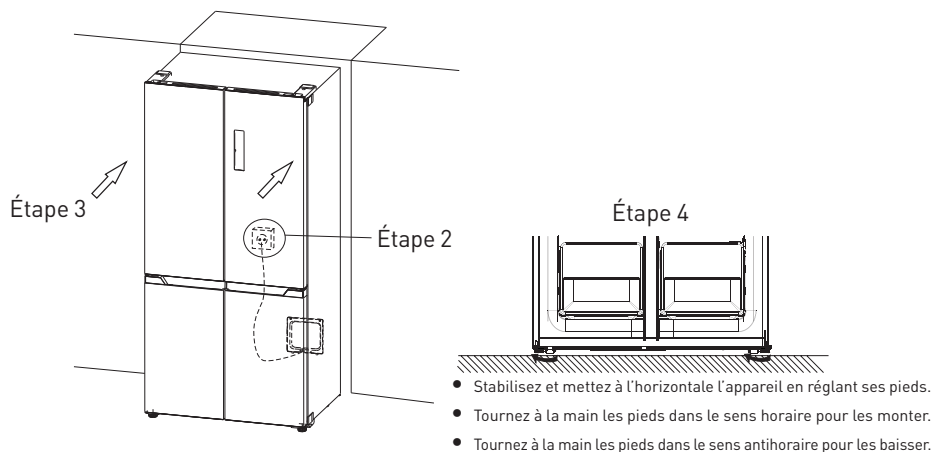


2. Branchez le réfrigérateur

3. Poussez le réfrigérateur dans l'emplacement dédié

4 roues et 2 pieds réglables se trouvent sous le réfrigérateur. Pour éviter d'endommager le sol, veuillez augmenter la hauteur des pieds réglables avant de pousser le réfrigérateur.

4. Réduisez la hauteur des pieds réglables pour stabiliser le réfrigérateur



Positionnement

Installez cet appareil dans un endroit où la température ambiante correspond à la classe climatique indiquée sur la plaque signalétique de l'appareil :

Pour les appareils réfrigérants avec classe climatique :

- Classe tempérée élargie : cet appareil réfrigérant est conçu pour une utilisation à une température ambiante comprise entre 10 °C et 32 °C (SN).
- Classe tempérée : cet appareil réfrigérant est conçu pour une utilisation à une température ambiante comprise entre 16 °C et 32 °C (N).
- Classe subtropicale : cet appareil réfrigérant est conçu pour une utilisation à une température ambiante comprise entre 16 °C et 38 °C (ST).
- Classe tropicale : cet appareil réfrigérant est conçu pour une utilisation à une température ambiante comprise entre 16 °C et 43 °C (T).

Emplacement

L'appareil doit être installé à distance des sources de chaleur, par exemple les radiateurs, les chaudières, la lumière directe du soleil, etc. Veillez à ce que l'air puisse circuler librement tout autour de l'arrière de l'appareil. Pour garantir des performances optimales, si l'appareil est positionné sous un meuble mural, la distance minimale entre le haut de l'appareil et le meuble doit être d'au moins 50 mm. Néanmoins, l'appareil ne doit idéalement pas être placé sous un meuble mural. La mise à l'horizontale précise est permise par un ou plusieurs pieds réglables sous l'appareil.

Cet appareil réfrigérant n'est pas conçu pour une utilisation en tant qu'appareil encastré.



Avertissement ! Il est possible de débrancher l'appareil de la prise secteur. La fiche doit donc être facilement accessible après l'installation.

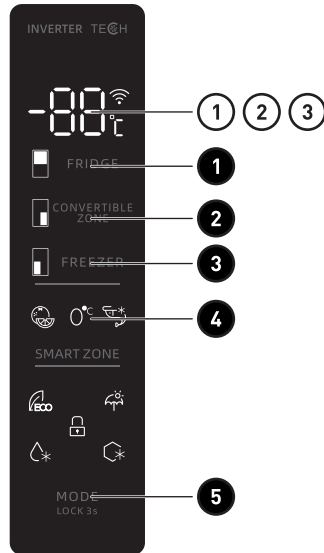
Raccordement électrique

Avant de brancher l'appareil, vérifiez que la tension et la fréquence indiquées sur la plaque signalétique correspondent à celles de votre réseau électrique domestique. L'appareil doit être relié à la terre. La fiche du cordon d'alimentation comporte un contact de mise à la terre. Si la prise électrique domestique n'est pas mise à la terre, branchez l'appareil sur un circuit de terre séparé conforme aux réglementations actuelles, pour cela consultez un électricien qualifié. Le fabricant décline toute responsabilité en cas de non-respect des précautions de sécurité ci-dessus.

Cet appareil est conforme aux directives de la CEE.

Interface utilisateur

Utilisation du panneau de commande



Fonctionnement des touches

- 1 Réglage de la température du réfrigérateur

- 2 Réglage de la température de la zone convertible

- 3 Réglage de la température du congélateur

- 4 Réglage de la zone intelligente (Spécial bébé, Fraîcheur 0 °C, Congélation douce)

- 5 Verrouillage/Déverrouillage/Réglage du mode

Écran LED

- 1 Température du compartiment réfrigérateur

- 2 Température du compartiment congélateur

- 3 Température du compartiment convertible

Fonctionnement

- Le panneau de commande s'allume dans son intégralité pendant 3 secondes, puis l'appareil fonctionne avec les réglages (mode et température) utilisés avant sa mise hors tension. Le système se verrouille automatiquement après 25 secondes sans utilisation des touches. Après le verrouillage, l'éclairage de l'écran s'éteint après 120 secondes sans utilisation des touches.
- Les températures du réfrigérateur/du congélateur/de la zone convertible seront affichées séparément lors du réglage de la température de chaque zone.

Écran

- L'écran s'allume pendant 2 minutes quand la porte du compartiment réfrigérateur ou du compartiment congélateur est ouverte (un seul signal de porte est détecté à la fois.).
- L'écran s'allume quand vous appuyez sur une touche et il s'éteint après 2 minutes sans utilisation des touches.
- Affichage pendant l'utilisation normale
Affichage de la température du compartiment réfrigérateur : Indique la température du réglage actuel.
Affichage de la température du compartiment congélateur : Indique la température du réglage actuel.
Affichage de la température du compartiment convertible : Indique la température du réglage actuel.

Fonctionnement des touches

Réglage de la température du compartiment réfrigérateur

- Réglage de la température du compartiment réfrigérateur : Cette touche fonctionne en mode Personnalisé et en mode Super. Une fois en mode de réglage de la température du compartiment réfrigérateur, cette touche clignote. Appuyez plusieurs fois sur cette touche pour changer le réglage de la température dans l'ordre suivant : « 2 °C, 3 °C, 4 °C, 5 °C, 6 °C, 7 °C, 8 °C, -- (arrêt) ». La température sélectionnée est confirmée une fois qu'elle clignote pendant 5 secondes.
- Arrêt du compartiment réfrigérateur : Appuyez sur la touche de réglage de la température du compartiment réfrigérateur et sélectionnez « - - » (arrêt). La sélection est confirmée une fois qu'elle clignote pendant 5 secondes, ce qui signifie dans ce cas que le compartiment réfrigérateur cesse la réfrigération.

Réglage de la température du compartiment congélateur

Réglage de la température du compartiment congélateur : Cette touche fonctionne en mode Personnalisé et en mode Vacances. Une fois en mode de réglage de la température du compartiment congélateur, cette touche clignote. Appuyez plusieurs fois sur cette touche pour changer la température dans l'ordre suivant : « -14 °C, -15 °C, -16 °C, -17 °C, -18 °C, -19 °C, -20 °C, -21 °C, -22 °C ». La température sélectionnée est confirmée une fois qu'elle clignote pendant 5 secondes.

Réglage de la température du compartiment convertible

- Réglage de la température du compartiment convertible : Cette touche fonctionne en mode Personnalisé et dans d'autres modes. Une fois en mode de réglage de la température du compartiment convertible, cette touche clignote. Appuyez plusieurs fois sur cette touche pour changer la température dans l'ordre suivant : « 5 °C, 4 °C, 3 °C, 2 °C, 1 °C, 0 °C, -1 °C, -2 °C, -3 °C, -4 °C, -5 °C, -6 °C, -7 °C, -8 °C, -9 °C, -10 °C, -11 °C, -12 °C, -13 °C, -14 °C, -15 °C, -16 °C, -17 °C, -18 °C, -19 °C, -20 °C, -- (arrêt) ». La température sélectionnée est confirmée une fois qu'elle clignote pendant 5 secondes.
- Arrêt du compartiment convertible du réfrigérateur : Appuyez sur la touche de réglage de la température du compartiment convertible et sélectionnez « - - » (arrêt). La sélection est confirmée une fois qu'elle clignote pendant 5 secondes, ce qui signifie dans ce cas que le compartiment convertible cesse la réfrigération.

Réglage de la température du compartiment de la zone intelligente

Cette touche fonctionne en mode Personnalisé et en mode Super. Appuyez plusieurs fois sur cette touche pour faire défiler les icônes dans l'ordre suivant : « Spécial bébé, Fraîcheur 0 °C, Congélation douce ». Les températures correspondantes sont les suivantes :

- Spécial bébé : 3 °C ;
- Fraîcheur 0 °C : 0 °C ;
- Congélation douce : -1,5 °C.

Mode/Verrouillage/Déverrouillage

- Appuyez plusieurs fois sur cette touche pour sélectionner le mode de fonctionnement de l'appareil dans l'ordre suivant : « Mode ÉCO - Mode Vacances - Mode Super - Mode Personnalisé. Le mode sélectionné est confirmé une fois qu'il clignote pendant 5 secondes.
- Maintenez la touche appuyée pour activer/désactiver le mode Verrouillage
 - Déverrouillage : En mode Verrouillage, appuyez sur la touche pendant 3 secondes pour que toutes les touches soient déverrouillées après un bip.
 - Verrouillage : En mode Déverrouillage, appuyez sur la touche pendant 3 secondes pour que toutes les touches soient verrouillées après un bip.

Appui sur les touches

- Un bip retentit brièvement lorsque vous appuyez sur une touche.
- Les touches ne sont fonctionnelles qu'en mode Déverrouillage.

Fonction de verrouillage

- L'affichage se verrouille automatiquement après 25 secondes sans utilisation des touches.

Mode ÉCO

Appuyez sur la touche Mode pour choisir le mode ÉCO. L'icône ÉCO clignote pendant 5 secondes puis reste fixe pour indiquer l'activation du mode ÉCO.

Les températures du réfrigérateur et du congélateur sont réglées selon les températures du tableau suivant :

| Température ambiante (T) | $T \leq 13^{\circ}\text{C}$ | $13^{\circ}\text{C} < T \leq 20^{\circ}\text{C}$ | $20^{\circ}\text{C} < T \leq 27^{\circ}\text{C}$ | $27^{\circ}\text{C} < T \leq 34^{\circ}\text{C}$ | $T > 34^{\circ}\text{C}$ |
|------------------------------|-----------------------------|--|--|--|--------------------------|
| Température du réfrigérateur | 3 °C | 4 °C | 5 °C | 6 °C | 8 °C |
| Température du congélateur | -18 °C | -18 °C | -18 °C | -16 °C | -15 °C |

Les touches « FREEZER » et « FRIDGE » ne fonctionnent pas en mode ÉCO. La température du compartiment convertible peut être réglée librement en utilisant la touche de réglage de la température de la zone convertible. Désactivation du mode ÉCO : Choisissez un autre mode ; le mode ÉCO sera désactivé après 5 secondes et le mode sélectionné sera activé.

Mode Vacances

- Appuyez sur la touche Mode pour sélectionner le mode Vacances. L'icône clignote pendant 5 secondes, puis reste allumée pour indiquer l'activation du mode Vacances.
- La température est fixée sur 17 °C dans le compartiment réfrigérateur, la touche « FRIDGE » est indisponible et l'icône Vacances clignote trois fois avec une alerte.
- La température du compartiment congélateur et celle du compartiment convertible peuvent être ajustées librement.
- Désactivation du mode Vacances : Choisissez un autre mode ; le mode Vacances sera désactivé après 5 secondes et le mode sélectionné sera activé.

Mode Froid +

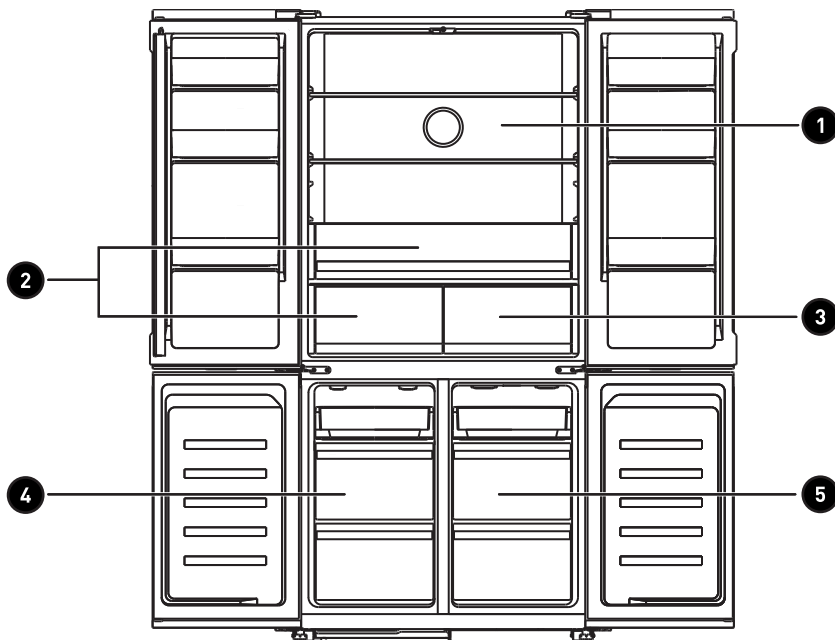
- Appuyez sur la touche de mode pour sélectionner le mode Froid +. L'icône correspondante reste allumée après avoir clignoté pendant 5 s.
- La température est fixée sur 2 °C dans le compartiment réfrigérateur, la touche « Fridge » est indisponible et l'icône Froid + clignote trois fois avec une alerte.
- La température du compartiment congélateur et celle du compartiment convertible peuvent être ajustées librement.
- Le mode Froid + se désactive automatiquement au bout de 2,5 heures.

Mode Super Congélation

- Sélectionnez ce mode et l'icône clignote pendant 5 secondes, puis reste allumée pour indiquer l'activation du mode Super Congélation.
- Mode Super Congélation :
 - La température est fixée sur -25 °C dans le compartiment congélateur, la touche « FREEZER » est indisponible et l'icône Super Congélation clignote trois fois avec une alerte.
 - La température du compartiment réfrigérateur et celle du compartiment convertible pourront être ajustées librement.
- Désactivation du mode Super Congélation : le mode est désactivé dans les cas suivants.
 - Vous désactivez manuellement le mode Super Congélation.
 - Le mode Super Congélation est activé depuis plus de 50 heures.
- L'appareil revient au mode utilisé avant l'activation du mode Super Congélation.

Alarme de porte ouverte

Si la porte du réfrigérateur ou du congélateur reste ouverte pendant 60 secondes, une alarme périodique se déclenchera et retentira jusqu'à la fermeture de la porte.

Zone à températures multiples

- 1 Temp. du réfrigérateur. 2 °C à 8 °C/Arrêt. Réglage via le panneau d'affichage.

- 2 Zone du bac à légumes et Nature. 2 °C à 8 °C.

- 3 Temp. de la zone intelligente. -1,5 °C/0 °C/3 °C.

- 4 Temp. du congélateur. -22 °C à -14 °C.
Réglage via le panneau d'affichage.

- 5 Temp. de la zone convertible. -20 °C à 5 °C/Arrêt.
Réglage via le panneau d'affichage.

Usage quotidien

Première utilisation

Nettoyer l'intérieur de l'appareil

Avant d'utiliser l'appareil pour la première fois, nettoyez l'intérieur de l'appareil et tous les accessoires internes avec de l'eau tiède et un peu de savon neutre pour éliminer l'odeur typique des appareils/accessoires neufs, puis séchez-les intégralement.



Important ! N'utilisez pas de détergents ni de poudres abrasives, car ils peuvent endommager le revêtement.




Usage quotidien

Placez différents aliments dans différents compartiments en suivant les indications du tableau ci-dessous.

| Compartiments réfrigérateur | Type d'aliments |
|---|---|
| Porte ou balconnets du compartiment réfrigérateur | <ul style="list-style-type: none"> Aliments avec des conservateurs naturels, comme les confitures, les jus, les boissons ou les condiments. Ne stockez pas d'aliments périssables. |
| Zone fruits et légumes | <ul style="list-style-type: none"> Fruits, fines herbes et légumes, qui doivent être placés séparément dans le bac à légumes. Ne placez pas de bananes, oignons, pommes de terre ou ail dans le réfrigérateur. |
| Clayette du réfrigérateur | <ul style="list-style-type: none"> Produits laitiers, œufs, gâteaux, pâtes, pizzas. Aliments qui ne nécessitent pas de cuisson, comme les aliments déjà préparés, la charcuterie, les restes de plats. |
| Zone Nature | <ul style="list-style-type: none"> Pour préserver l'humidité et la fraîcheur. Prolonge la durée de conservation. Fruits et légumes frais, aliments délicats. |
| Zone intelligente | <ul style="list-style-type: none"> Spécial bébé : 3 °C, stockage séparé et aliments délicats. Fraîcheur 0 °C : 0 °C, boissons, bière, vin rouge, aliments délicats. Congélation douce : -1,5 °C, refroidissement d'aliments, tels que de la viande crue, du poisson cru, des fruits de mer ou des ravioles, pour une conservation à court terme. |

| | |
|--------------------------|---|
| Compartiment convertible | <ul style="list-style-type: none"> -20 °C à 5 °C, large plage de température variable. 3 °C à 5 °C : fruits et légumes frais. 0 °C à 2 °C : boissons, bière, vin rouge, aliments délicats. -7 °C à -1 °C : refroidissement d'aliments, tels que de la viande crue, du poisson cru, des fruits de mer ou des ravioles, pour une conservation à court terme. -20 °C à -8 °C : refroidissement d'aliments, tels que de la viande crue, du poisson cru, des fruits de mer, des ravioles, pour une conservation à long terme. |
| Compartiment congélateur | <ul style="list-style-type: none"> Aliments destinés à une conservation de longue durée. Fruits de mer, poisson, viande, ravioles, plats préparés surgelés. |

Recommandation de réglage de la température

| Recommandation de réglage de la température | |
|---|--|
| Température ambiante | Réglage de la température |
| Été (Plus de 32 °C) | Réfrigérateur réglé sur 2 °C |
| | Zone intelligente réglée sur  |
| | Zone convertible réglée sur 5/-19 °C |
| Normale | Congélateur réglé sur -19 °C |
| | Réfrigérateur réglé sur 3 °C |
| | Zone intelligente réglée sur  |
| Hiver (Moins de 16 °C) | Zone convertible réglée sur 5/-19 °C |
| | Congélateur réglé sur -19 °C |
| | Réfrigérateur réglé sur 3 °C |
| | Zone intelligente réglée sur  |
| | Zone convertible réglée sur 5/-19 °C |
| | Congélateur réglé sur -19 °C |



- Les informations ci-dessus sont fournies aux utilisateurs comme recommandations de réglages de température.
- Le réglage de la température de la zone convertible dépend des aliments conservés.

Conséquences sur la conservation des aliments

- En respectant le réglage recommandé, la durée optimale de conservation dans le réfrigérateur est de 3 jours maximum.
- En respectant le réglage recommandé, la durée optimale de conservation dans le congélateur est de 1 mois maximum.
- La durée optimale de conservation peut être réduite avec des réglages différents.

Congélation des aliments frais

- Le compartiment congélateur convient pour congeler des aliments frais et conserver des aliments congelés et surgelés pendant longtemps.
- Placez les aliments frais à congeler dans le compartiment congélateur.
- La quantité maximale d'aliments pouvant être congelés en 24 heures est spécifiée sur la plaque signalétique.
- Le processus de congélation dure 24 heures, n'ajoutez pas d'autres aliments à congeler pendant cette période.

Conservation des aliments surgelés

- Lors de la première mise en marche ou après une période d'inutilisation, laissez l'appareil fonctionner pendant 2 heures au moins sur les réglages maximaux avant de mettre des aliments dans ses compartiments.



Important ! En cas de décongélation accidentelle, par exemple en cas de coupure de courant dépassant la durée de « montée de la température » indiquée dans les spécifications techniques, les aliments décongelés doivent être consommés rapidement ou cuits immédiatement puis recongelés (après avoir été cuits).

Décongélation

Avant d'être utilisés, les aliments congelés ou surgelés peuvent être décongelés dans le compartiment réfrigérateur ou à la température ambiante en fonction du temps disponible pour la décongélation.

Les petits aliments peuvent même être cuits quand ils sont encore congelés et directement sortis du congélateur. Dans ce cas, la cuisson sera plus longue.

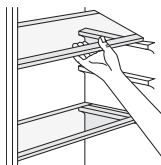
Bac à glaçons

Cet appareil peut être équipé d'un ou plusieurs bacs à glaçons pour produire des glaçons.

Accessoires

Clayettes amovibles

Les parois internes du réfrigérateur sont dotées d'une série de glissières pour vous permettre de placer les clayettes où vous le souhaitez.



Positionnement des balconnets de porte

Les balconnets de porte peuvent être positionnés à différentes hauteurs pour permettre le stockage d'emballages alimentaires de tailles variées. Pour régler la hauteur d'un balconnet, procédez comme suit : tirez doucement le balconnet dans le sens des flèches jusqu'à le libérer complètement. Positionnez-le ensuite à la hauteur désirée.



Conseils et astuces utiles

Pour pouvoir utiliser au mieux le processus de congélation, prenez connaissance des conseils importants suivants :

- La quantité maximale d'aliments pouvant être congelés en 24 h est spécifiée sur la plaque signalétique.
- Le processus de congélation dure 24 heures. Aucun autre aliment à congeler ne doit être ajouté pendant cette période.
- Congelez exclusivement des aliments frais, d'excellente qualité et parfaitement nettoyés.
- Répartissez les aliments en petites portions pouvant être rapidement et complètement congelées, afin de pouvoir décongeler ultérieurement uniquement les quantités requises.
- Emballez les aliments dans du papier aluminium ou du film polyéthylène et vérifiez que les emballages sont hermétiques.
- Ne laissez pas des aliments frais et décongelés en contact avec des aliments déjà congelés pour éviter une augmentation de la température de ces derniers.
- Les aliments maigres se conservent mieux et plus longtemps que les aliments gras. Le sel réduit la durée de conservation des aliments.
- Les glaces et les glaçons, si consommés immédiatement après retrait du compartiment congélateur, peuvent provoquer des brûlures de la peau à cause du froid.
- Il est conseillé d'indiquer la date de congélation sur chaque emballage individuel avant de placer les produits dans le compartiment congélateur pour savoir quand les retirer et de les manipuler avec prudence pour éviter des gelures.
- Il est conseillé d'indiquer la date de congélation sur chaque emballage individuel pour vous permettre de vous souvenir de la durée de conservation.

Conseils de conservation des aliments congelés

Pour optimiser les performances de cet appareil, vous devez :

- Vérifier que les aliments congelés vendus dans le commerce sont correctement stockés par le distributeur.
- Veiller à transférer les aliments congelés du magasin à votre congélateur le plus rapidement possible.
- Éviter d'ouvrir la porte fréquemment et ne pas la laisser ouverte plus longtemps que cela n'est absolument nécessaire.
- Une fois décongelés, les aliments se détériorent rapidement et ne doivent pas être recongelés.
- Ne dépassez pas la durée de conservation indiquée par les fabricants des aliments.

Conseils de réfrigération des aliments frais

Pour obtenir des performances optimales :

- Ne stockez pas d'aliments chauds ou de liquides s'évaporant dans le réfrigérateur.
- Couvrez ou emballez les aliments, notamment ceux ayant une odeur forte.
- Pour conserver des aliments (tout type) : emballez-les dans des sacs polyéthylène et placez-les sur les clayettes en verre au-dessus du bac à légumes.
- Par sécurité, conservez les aliments de cette manière pendant un ou deux jours au maximum.
- Aliments cuits, plats froids, etc. : Ils doivent être recouverts et peuvent être placés sur n'importe quelle clayette.
- Fruits et légumes : Ils doivent être soigneusement nettoyés et placés dans les tiroirs spéciaux fournis.
- Beurre et fromage : Ils doivent être placés dans des récipients hermétiques spéciaux ou être emballés dans du papier aluminium ou des sacs polyéthylène pour exclure autant d'air que possible.
- Bouteilles de lait : Elles doivent être bouchées et placées dans les balconnets de porte.
- Bananes, pommes de terre, oignons et ail : s'ils ne sont pas emballés, ils ne doivent pas être stockés au réfrigérateur.

Nettoyage et entretien

Pour garantir l'hygiène, l'intérieur de l'appareil et les accessoires internes doivent être nettoyés régulièrement.



Attention ! L'appareil ne doit pas être branché à une prise électrique pendant le nettoyage. Danger de choc électrique ! Avant de nettoyer l'appareil, éteignez-le et débranchez sa fiche de la prise secteur, ou éteignez-le et déconnectez le fusible ou le disjoncteur. Ne nettoyez jamais l'appareil avec un nettoyeur à vapeur. L'humidité pourrait s'accumuler dans les composants électriques - Danger de choc électrique ! La vapeur chaude peut endommager les pièces en plastique. L'appareil doit être séché avant d'être remis en service.



Important ! Les huiles essentielles et les solvants organiques peuvent dégrader les pièces en plastique, par exemple le jus de citron, le jus de pelures d'orange, l'acide butyrique ou les nettoyeurs contenant de l'acide acétique.

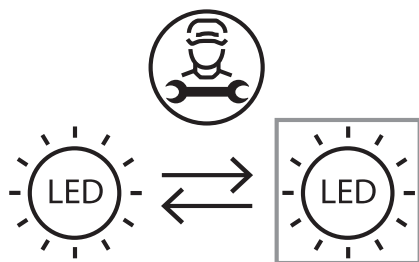
- Veillez à ce qu'aucune substance de ce type n'entre en contact avec les pièces de l'appareil.
- N'utilisez aucun nettoyant abrasif.
- Sortez les aliments du congélateur. Rangez-les dans un endroit frais, bien recouvert.
- Éteignez l'appareil et débranchez sa fiche de la prise secteur, ou éteignez-le et déconnectez le fusible ou le disjoncteur.
- Nettoyez l'appareil et les accessoires intérieurs avec un chiffon et de l'eau tiède. Après les avoir nettoyés avec de l'eau propre, séchez-les avec un chiffon.
- Une fois tous les éléments secs, remettez l'appareil en service.

Description du dégivrage (antigivre)

Ce réfrigérateur-congélateur est un appareil « No Frost » qui se dégivre automatiquement.

Remplacement de la lampe

- Ce produit est équipé d'une source lumineuse de classe d'efficacité énergétique F située en haut du compartiment du réfrigérateur.
- Ce produit est équipé d'une source lumineuse exemptée de classification énergétique située à l'arrière du conduit d'aération du réfrigérateur.
- Ce produit est équipé de deux sources lumineuses exemptées de classification énergétique situées en haut du compartiment du congélateur.
- La source lumineuse de ce produit ne peut être remplacée que par des professionnels qualifiés.
- Veuillez-vous rapprocher du service après-vente en cas de défaillance de la source lumineuse.
- Il convient de retirer la source lumineuse à la fin de la vie utile du produit, le tri et le recyclage étant effectués séparément.



Indicateur « ZONE FROIDE »



Le symbole ci-contre se trouve dans votre réfrigérateur.

Il indique clairement la zone la plus froide de votre appareil, où la température est inférieure ou égale à +4°C.

Une jauge de température dans cette zone vous permet de vérifier les réglages de votre réfrigérateur.



Réglage du thermostat

ok

Température correcte

Guide de dépannage



Attention ! Avant le dépannage, débranchez l'appareil de la prise électrique. Seul un électricien qualifié ou une personne compétente doit effectuer les opérations de dépannage non indiquées dans cette notice d'utilisation.



Important ! Il y a des bruits pendant le fonctionnement normal (compresseur, circulation du réfrigérant).

| Problème | Cause possible | Solution |
|---------------------------------------|--|---|
| L'appareil ne fonctionne pas. | <ul style="list-style-type: none"> • La fiche électrique n'est pas branchée ou mal branchée. • Le fusible a grillé ou est défectueux. • La prise secteur est défectueuse. | <ul style="list-style-type: none"> • Branchez la fiche électrique. • Contrôlez le fusible, remplacez-le si nécessaire. • Les dysfonctionnements de la prise secteur doivent être réparés par un électricien. |
| L'appareil refroidit ou congèle trop. | <ul style="list-style-type: none"> • La température est réglée trop bas ou l'appareil fonctionne dans le mode SUPER. | <ul style="list-style-type: none"> • Réglez temporairement la température sur une température moins froide. |

| Problème | Cause possible | Solution |
|---|--|--|
| Les aliments ne sont pas assez congelés. | <ul style="list-style-type: none"> • La température n'a pas été correctement réglée. • La porte a été laissée ouverte pendant longtemps. • Une grande quantité d'aliments chauds a été mise dans l'appareil au cours des dernières 24 heures. • L'appareil est proche d'une source de chaleur. | <ul style="list-style-type: none"> • Consultez le chapitre concernant le réglage initial de la température. • Ouvrez la porte uniquement pendant le temps nécessaire. • Réglez temporairement la température sur une température plus froide. • Consultez le chapitre concernant le choix de l'emplacement d'installation. |
| Il y a une forte accumulation de givre sur le joint de porte. | <ul style="list-style-type: none"> • Le joint de porte n'est pas hermétique. | <ul style="list-style-type: none"> • Chauffez précautionneusement les zones de fuite du joint de porte avec un sèche-cheveux sur le réglage froid. Dans le même temps, modifiez à la main la forme du joint de porte réchauffé pour qu'il repose correctement. |
| Il y a des bruits inhabituels. | <ul style="list-style-type: none"> • L'appareil n'est pas à l'horizontale. • L'appareil touche le mur ou d'autres objets. • Un composant (par exemple une conduite) au dos de l'appareil touche une autre pièce de l'appareil ou le mur. | <ul style="list-style-type: none"> • Réglez à nouveau les pieds. • Déplacez légèrement l'appareil. • Si nécessaire, courbez délicatement le composant pour le dégager. |
| Il y a de l'eau sur le sol. | <ul style="list-style-type: none"> • Le trou de drainage de l'eau est bouché. | <ul style="list-style-type: none"> • Consultez le chapitre « Nettoyage et entretien ». |

Si le dysfonctionnement réapparaît, contactez un centre de réparation.

Ces données sont nécessaires pour pouvoir vous aider rapidement et correctement. Écrivez ici les données requises (consultez la plaque signalétique).

Bedankt!

Proficiat met uw keuze voor een product van VALBERG. De selectie en de testen van de toestellen van VALBERG gebeuren volledig onder controle en supervisie van ELECTRO DEPOT. We staan garant voor de kwaliteit van de toestellen van VALBERG, die uitmunten in hun eenvoudig gebruik, hun betrouwbare werking en hun onberispelijke kwaliteit.

ELECTRO DEPOT beveelt de VALBERG toestellen aan en is ervan overtuigd dat u uiterst tevreden zal zijn bij elk gebruik van het toestel. Welkom bij ELECTRO DEPOT.

Bezoek onze website: www.electrodepot.be



ELECTRO DEPOT

44

NL

A

**Overzicht van het
toestel**

Onderdelen

B

**Gebruik van het
toestel**

Installatie
Gebruikersinterface
Dagelijks gebruik
Handige hints en tips

C

**Reiniging en
onderhoud**

Reiniging en onderhoud
Probleemoplossing

Onderdelen

A Metalen luchtkanaal

G Stelvoetjes

B Koelkastplanken

H Grote converteerbare lade

C Grote vershoudzone

I Slimme zone

D Natuurzone

J Deurbak

E Schuiflade

K Ledverlichting

F Grote vrieslade



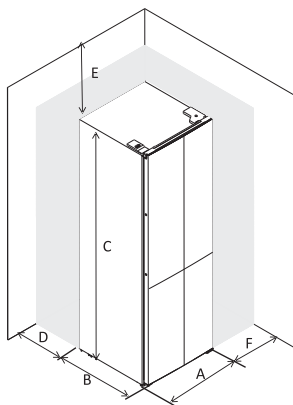
Opmerking:

Deze afbeelding is alleen bedoeld als referentie, controleer uw apparaat voor de juiste gegevens.

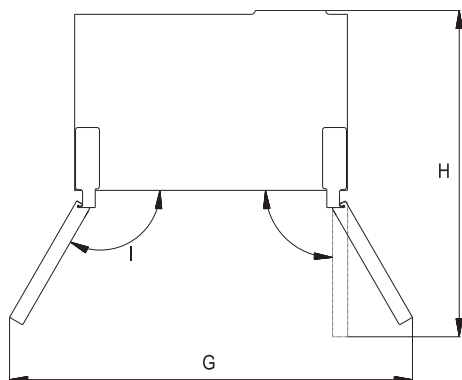
Installatie

Benodigde ruimte

- Zorg voor voldoende ruimte zodat de deur open kan.
- Vrijstaande installatie en inschuifinstallatie hebben verschillende maximale deuropeningshoeken.

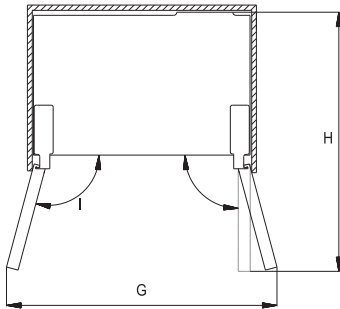


Vrijstaande installatie



| | |
|----|------|
| A: | 905 |
| B: | 597 |
| C: | 1902 |
| D: | 3 |
| E: | 6 |
| F: | 6 |
| G: | 1335 |
| H: | 1020 |
| I: | 120° |

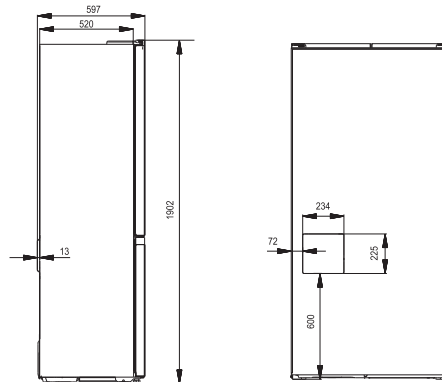
Inschuifinstallatie



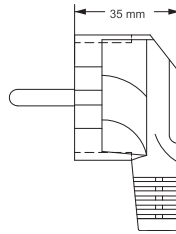
| | |
|----|------|
| A: | 905 |
| B: | 597 |
| C: | 1902 |
| D: | 3 |
| E: | 6 |
| F: | 6 |
| G: | 1128 |
| H: | 1020 |
| I: | 105° |

Aanwijzingen met betrekking tot positionele interferentie

- De PCB-afdekking is ontworpen om de juiste afstand tussen de achterzijde van de koelkast en de muur te waarborgen. De minimale afstand tussen de koelkast en de muur wordt bereikt wanneer de PCB-afdekking de muur raakt.
- De positie en afmetingen van de PCB-afdekking zijn hieronder weergegeven. Houd rekening met de positie van het stopcontact om positionele interferentie met de PCB-afdekking te voorkomen.



- De afmetingen van de stekker zijn hieronder weergegeven. Houd rekening met de dikte van het stopcontact en het elektrische wandcontactdoos indien het stopcontact zich aan de achterzijde van de koelkast bevindt.

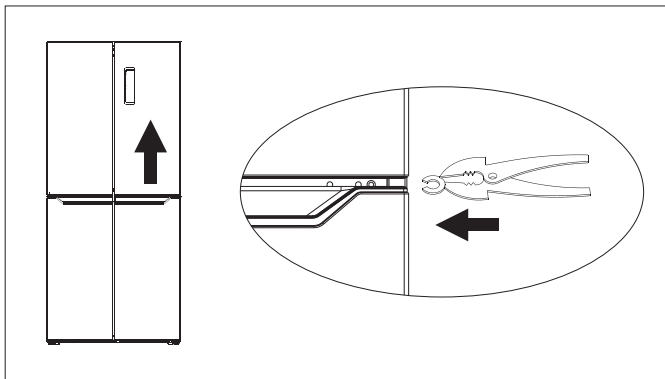


Deuren waterpas zetten

Na transport of nadat de deurvakken zijn gevuld met voedsel of drank, kunnen de twee bovenste deuren niet meer goed uitgelijnd zijn. Er zijn 3 C-type ringen die worden gebruikt om de deuren af te stellen. Volg onderstaande stappen om de deuren waterpas te stellen.



- Controleer voordat u de deuren uitlijnt of het apparaat stabiel en waterpas staat.
- Als de bovenkanten van de twee bovenste deuren niet op één lijn liggen, til de lager hangende deur lichtjes op en plaats met een clip een C-type ring tussen de onderkant van de deur en het middelste scharnier.



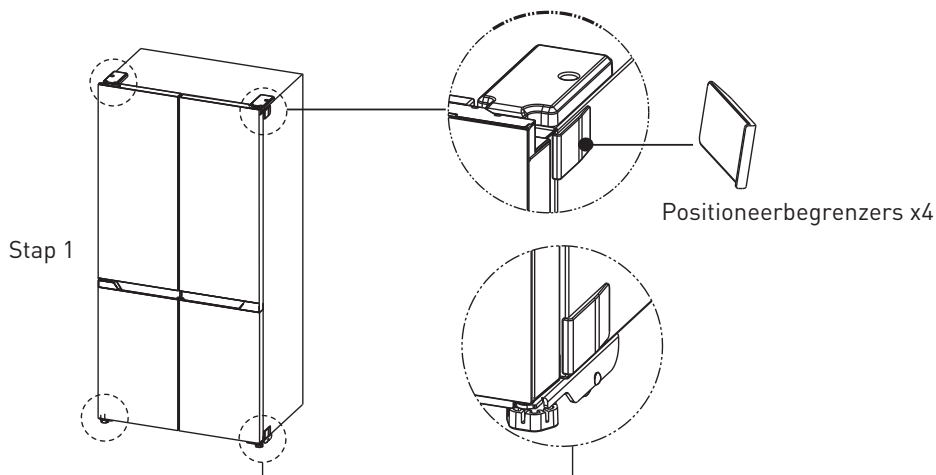
Waarschuwing!

- Let op dat uw vingers niet tussen de deur bekneld raken. Gebruik hiervoor gereedschap.
- Houd de C-type ringen buiten het bereik van kinderen om te voorkomen dat ze worden ingeslikt. Het zijn kleine onderdelen.

1. Monteer de begrenzers

Tijdens dagelijks gebruik kan de koelkast enigszins verschuiven. Om ervoor te zorgen dat de koelkast correct ten opzichte van de kast blijft gepositioneerd, kunt u voor het plaatsen van de koelkast in de kast de begrenzers gebruiken.

1. Neem 4 positioneerbegrenzers uit de accessoirezak;
2. Verwijder stof en vuil van de hoeken van de koelkast;
3. Verwijder de beschermfolie van de dubbelzijdige tape op de begrenzer, lijn deze uit met de hoeken van de koelkast en druk deze vast.

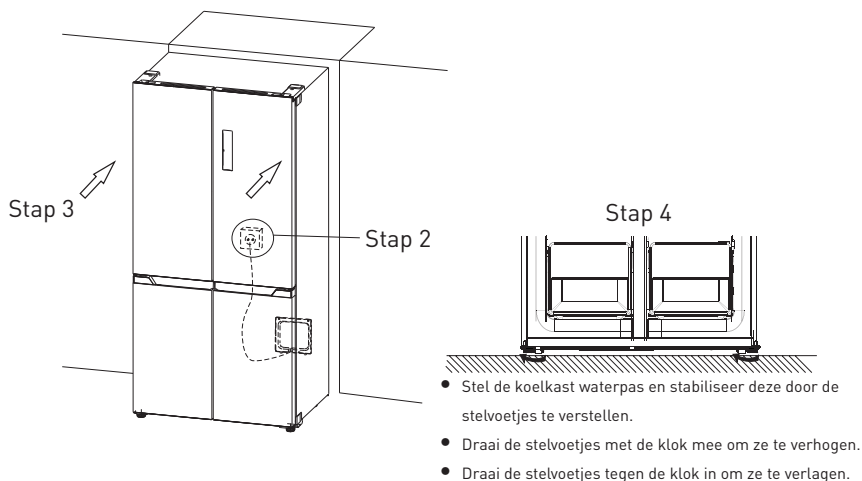


2. Steek de stekker van de koelkast in het stopcontact.

3. Schuif de koelkast naar de voorziene positie.

Er bevinden zich 4 wielen en 2 stelvoetjes onder de koelkast. Om mogelijke schade aan de vloer te voorkomen, dient u de verstelbare voeten vóór het verschuiven omhoog te draaien.

4. Draai de stelvoetjes omlaag om de koelkast stabiel te positioneren.”



Positionering

Installeer dit apparaat op een plek waar de omgevingstemperatuur overeenstemt met de klimaatklasse die op het typeplaatje van het apparaat staat:

Voor koelapparaten met klimaatklasse:

- uitgebreid gematigd: dit koelapparaat is bedoeld voor gebruik bij een omgevingstemperatuur tussen 10 °C en 32 °C; (SN)
- gematigd: dit koelapparaat is bedoeld voor gebruik bij een omgevingstemperatuur tussen 16 °C en 32 °C; (N)
- subtropisch: dit koelapparaat is bedoeld voor gebruik bij een omgevingstemperatuur tussen 16 °C en 38 °C; (ST)
- tropisch: dit koelapparaat is bedoeld voor gebruik bij een omgevingstemperatuur tussen 16 °C en 43 °C; (T)

Locatie

Het apparaat moet uit de buurt van een warmtebron worden geïnstalleerd, zoals een radiator, boiler, direct zonlicht, etc. Zorg ervoor dat de lucht vrij rond de achterkant van de kast kan circuleren. Als het apparaat onder een hangkast wordt geplaatst, moet de afstand tussen de bovenkant van de kast en de hangkast ten minste 50 mm zijn om de beste prestaties te garanderen. Het wordt echter aangeraden om het apparaat niet onder een hangkast te installeren. U kunt het toestel perfect waterpas zetten door één of meerdere stelvoetjes aan de onderkant van de kast aan te passen.

Dit koelapparaat is niet bedoeld om als inbouwapparaat te worden gebruikt.



Waarschuwing! Het apparaat moet op elk moment van de netvoeding ontkoppeld kunnen worden, de stekker moet na installatie aldus makkelijk bereikbaar zijn.

Elektrische aansluiting

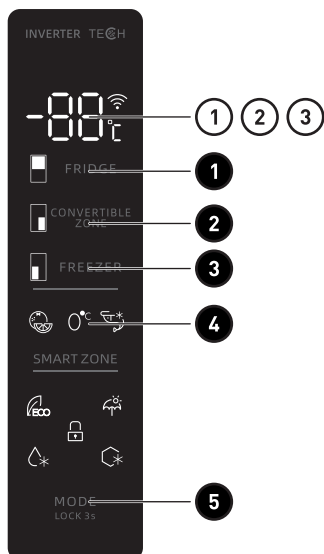
Controleer voordat u de stekker in het stopcontact steekt of de spanning en de frequentie op het typeplaatje overeenstemmen met uw netvoeding. Het apparaat moet geaard zijn. De stekker van het snoer is daarom voorzien van een contact. Als het stopcontact in uw woning niet geaard is, sluit het apparaat dan aan op een aparte aarding die in overeenstemming is met de geldende voorschriften en raadpleeg een gekwalificeerde elektricien.

De fabrikant wijst alle verantwoordelijkheid af als de bovenstaande veiligheidsmaatregelen niet worden nageleefd.

Dit apparaat is in overeenstemming met de E.E.C.- richtlijnen.

Gebruikersinterface

Het bedieningspaneel gebruiken



Bediening van de toetsen

- 1 Temperatuur koelkast instellen

- 2 Temperatuur converteerbare zone instellen

- 3 Temperatuur vriezer instellen

- 4 Slimme zone-instelling (babyzorg, 0°C vers, licht invriezen)

- 5 Vergrendelen / Ontgrendelen / Modusinstelling

LED-display

- 1 Temperatuur van koelvak

- 2 Temperatuur van vriesvak

- 3 Temperatuur van converteerbaar vak

Bedrijfsstatus

- Het bedieningspaneel licht 3 seconden 100% op en werkt vervolgens volgens de instellingen (modus en temperatuur) van voor de stroomonderbreking. Het systeem wordt automatisch vergrendeld 25 seconden na de laatste bediening. Na het vergrendelen gaat de paneelverlichting 120 seconden na de laatste bediening uit.
- De temperatuur van de Koelkast / Vriezer / Converteerbare Zone wordt afzonderlijk weergegeven op basis van de ingestelde temperatuur van elke zone.

Display

- Het paneel licht 2 minuten op zodra de deur van het koel- of vriesvak wordt geopend. (er wordt steeds één deursignaal tegelijk gedetecteerd)
- Het paneel licht ook op bij elke toetsbediening; het display gaat 2 minuten na de laatste bediening weer uit.
- Weergave tijdens normaal gebruik
Temperatuurweergave van het koelvak: Geeft de temperatuur van de huidige instelling aan.
Temperatuurweergave van het vriesvak: Geeft de temperatuur van de huidige instelling aan.
Temperatuurweergave van het converteerbare vak: Geeft de temperatuur van de huidige instelling aan.

Illustratie van de toetsen

Temperatuurregeling van het koelvak

- Temperatuurregeling van het koelvak: Deze toets werkt zowel in de door de gebruiker ingestelde modus als in de Supermodus. Na het openen van de temperatuurregeling voor het koelvak knippert deze toets. Door de toets herhaaldelijk aan te raken verandert de temperatuur in een cyclus van: "2°C, 3°C, 4°C, 5°C, 6°C, 7°C, 8°C; --[uit]". Na het kiezen van een waarde wordt de instelling bevestigd doordat de toets 5 seconden knippert.
- Het koelvak uitschakelen:
Druk op de toets "Temperatuurregeling koelvak" en selecteer "--". Na 5 seconden knipperen is de temperatuurinstelling bevestigd en stopt het koelvak met koelen.

Temperatuurregeling van het vriesvak

Temperatuurregeling van het vriesvak: Deze toets werkt zowel in de door de gebruiker ingestelde modus als in de Vakantiemodus. Na het openen van de temperatuurregeling voor het vriesvak knippert de toets. Door de toets herhaaldelijk aan te raken verandert de temperatuur in een cyclus van "-14°C, -15°C, -16°C, -17°C, -18°C, -19°C, -20°C, -21°C, -22°C". Na het kiezen van een waarde wordt de instelling bevestigd doordat de toets 5 seconden knippert.

Temperatuurregeling van het converteerbare vak

- Temperatuurregeling van het converteerbare vak: Deze toets werkt zowel in de door de gebruiker ingestelde modus als in andere modi. Na het openen van de temperatuurregeling voor het converteerbare vak knippert de toets. Door de toets herhaaldelijk aan te raken, verandert de temperatuur cyclisch volgens de volgorde "5 °C, 4 °C, 3 °C, 2 °C, 1 °C, 0 °C, -1 °C, -2 °C, -3 °C, -4 °C, -5 °C, -6 °C, -7 °C, -8 °C, -9 °C, -10 °C, -11 °C, -12 °C, -13 °C, -14 °C, -15 °C, -16 °C, -17 °C, -18 °C, -19 °C, -20 °C, -- [uit]". Na 5 seconden knipperen is de geselecteerde temperatuur bevestigd.
- Het converteerbare koelvak uitschakelen:

Druk op de toets "Temperatuurregeling converteerbaar vak" en selecteer "--". Na 5 seconden knippen is de temperatuurinstelling bevestigd en stopt het converteerbaar vak met koelen.

Temperatuurregeling van het slimme zone-vak

Deze toets werkt zowel in de door de gebruiker ingestelde modus als in de Supermodus. Door de toets herhaaldelijk aan te raken, licht het pictogram cyclisch op volgens de volgorde "Babyzorg, 0 °C Vers, Licht invriezen". De bijbehorende temperatuur is:

- babyzorg: 3°C,
- 0°C vers: 0°C,
- Licht invriezen: -1,5 °C.

Modus / Vergrendelen / Ontgrendelen

- Door deze toets herhaaldelijk aan te raken, verandert de bedrijfsmodus van de koelkast in een cyclus van: "ECO-modus – Vakantiemodus – Supermodus – Door gebruiker ingestelde modus". Een knippering van 5 seconden betekent dat de temperatuurinstelling is bevestigd.
- Houd de toets ingedrukt om de vergrendelingsmodus in of uit te schakelen.
 - Ontgrendelen: Houd de toets 3 seconden ingedrukt in de vergrendelingsmodus; alle toetsen worden ontgrendeld na de piepton.
 - Vergrendelen: Houd de toets 3 seconden ingedrukt in de ontgrendelingsmodus; alle toetsen worden vergrendeld na de piepton.

Knop indrukken

- Er klinkt een piepton na elke druk op een knop.
- Alle knoppen werken alleen wanneer het bedieningspaneel ontgrendeld is.

Vergrendelingsfunctie

- Als er 25 seconden lang geen bediening plaatsvindt, wordt het display automatisch vergrendeld.

ECO-modus

Druk op modus om de ECO-modus te selecteren. Het ECO-pictogram blijft branden nadat het 5 seconden heeft geknipperd om aan te geven dat de ECO-modus is ingeschakeld.

De temperatuur van het koel- en vriesvak wordt ingesteld volgens de volgende waarden:

| Omgevingstemperatuur (T) | $T \leq 13^{\circ}\text{C}$ | $13^{\circ}\text{C} < T \leq 20^{\circ}\text{C}$ | $20^{\circ}\text{C} < T \leq 27^{\circ}\text{C}$ | $27^{\circ}\text{C} < T \leq 34^{\circ}\text{C}$ | $T > 34^{\circ}\text{C}$ |
|--------------------------|-----------------------------|--|--|--|--------------------------|
| Koelkasttemperatuur | 3°C | 4 °C | 5°C | 6 °C | 8 °C |
| Vriezertemperatuur | -18°C | -18°C | -18°C | -16°C | -15°C |

De knoppen "Vriezer" en "Koelkast" werken niet in de ECO-modus. De temperatuur van het converteerbare vak kan vrij worden aangepast via de temperatuurinstelling van de converteerbare zone. Eco-modus afsluiten: Selecteer een andere modus; na 5 seconden wordt de ECO-modus beëindigd en wordt de geselecteerde modus geactiveerd.

Vakantiemodus

- Druk op de modustoets om de vakantiemodus te selecteren; het pictogram blijft branden nadat het 5 seconden heeft geknipperd en de vakantiemodus wordt geactiveerd.
- De temperatuur van het koelvak staat vast op 17°C; de knop "Koelkast" heeft geen functie en het Vakantie-pictogram knippert driemaal als waarschuwing.
- De temperatuur van het vriesvak en het converteerbare vak kan vrij worden aangepast.
- Vakantiemodus afsluiten: Selecteer een andere modus; na 5 seconden wordt de vakantiemodus beëindigd en wordt de gekozen modus geactiveerd.

Snelkoelmodus

- Druk op de modusknop om de Snelkoelmodus te selecteren. Na 5 seconden knipperen blijft het pictogram continu branden.
- De temperatuur van het koelvak wordt vast ingesteld op 2 °C; de "koelkast"-toets is dan buiten werking en het Snelkoel-pictogram knippert driemaal als waarschuwing.
- De temperatuur van het vriesvak en het converteerbare vak kan vrij worden aangepast.
- De Snelkoelmodus wordt automatisch beëindigd na 2,5 uur na activering."

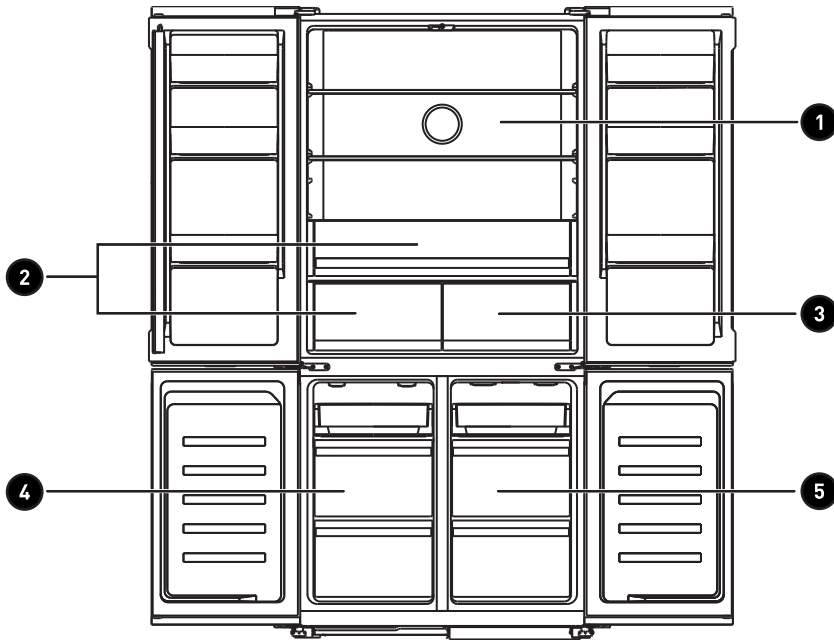
Super invriesmodus

- Selecteer de modus; het pictogram blijft branden nadat het 5 seconden heeft geknipperd en de Super invriesmodus wordt geactiveerd.
- Invriesmodus:
 - De temperatuur van het vriesvak staat vast op -25°C; de knop "Vriezer" heeft geen functie en het vriezer-pictogram knippert driemaal als waarschuwing.
 - De temperatuur van het koelvak en het converteerbare vak kan vrij worden aangepast.
- Invriesmodus afsluiten: zodra aan een van de volgende voorwaarden wordt voldaan:
 - handmatig afsluiten van de invriesmodus.
 - invriesperiode duurt langer dan 50 uur
- De modus keert terug naar de instelling van voor het inschakelen van de super invriesmodus.

Alarm bij open deur

Als de deur van de koelkast of vriezer 60 seconden open blijft staan, wordt er periodiek een alarm geactiveerd. Deze cyclus herhaalt zich totdat de deur wordt gesloten.

Multi-temperatuurzone



- 1 Temp. koelkast 2 °C tot 8 °C / uit Geregeld via het bedieningspaneel.

- 2 Vershoud- & Natuurzone. 2°C ~ 8°C

- 3 Temp. slimme zone: -1,5°C / 0°C / 3°C

- 4 Temp. vriezer -22°C ~ -14°C
Bediening via het bedieningspaneel

- 5 Temp. van converteerbare zone -20°C ~ 5°C / Uit
Bediening via het bedieningspaneel

Dagelijks gebruik

Eerste gebruik

De binnenkant schoonmaken

Voordat u het apparaat voor de eerste keer gebruikt, was de binnenkant en alle interne accessoires met lauw water en wat neutrale zeep om de typische geur van een gloednieuw product te verwijderen, en veeg ze vervolgens volledig droog.






Belangrijk! Gebruik geen schoonmaakmiddelen of schuurmiddelen, deze beschadigen de afwerking.

Dagelijks gebruik

Plaats verschillende soorten voedsel in verschillende vakken volgens onderstaande tabel:

| Koelvakken | Soort voedsel |
|----------------------------|---|
| Deur of rekken van koelvak | <ul style="list-style-type: none"> • Voedsel met natuurlijke bewaarmiddelen, zoals jam, sappen, dranken, specerijen. • Bewaar geen bederfelijk voedsel. |
| Vershoudzone | <ul style="list-style-type: none"> • Fruit, kruiden en groenten moeten apart in de groentelade worden geplaatst. • Bewaar geen bananen, uien, aardappelen en knoflook in de koelkast. |
| Koelkastplank | <ul style="list-style-type: none"> • Zuivelproducten, eieren, taarten, pasta, pizza. • Voedsel dat niet gekookt moet worden, zoals kant-en-klaarmaaltijden, fijne vleeswaren, restjes. |
| Natuurzone | <ul style="list-style-type: none"> • Behoudt het vocht en de versheid. Verlengt de bewaartijd. • Verse groenten en fruit, delicate etenswaren. |
| Slimme zone | <ul style="list-style-type: none"> • Babyzorg: 3°C, onafhankelijke opslag en het bewaren van delicate voedingsmiddelen. • 0°C vers: 0°C, drank, bier, rode wijn, delicate producten. • Licht invriezen: -1,5 °C, voor het licht invriezen van levensmiddelen voor kortstondige opslag, zoals rauw vlees, vis, zeevruchten en dumplings. |
| Converteerbare zone | <ul style="list-style-type: none"> • -20 °C tot 5 °C, breed instelbaar temperatuurbereik. • 3°C ~ 5°C: vers fruit, groenten. • 0°C ~ 2°C: dranken, bier, rode wijn, delicatessen. • -7°C ~ -1°C: koelen van levensmiddelen voor kortstondige opslag, zoals rauw vlees, vis, zeevruchten, dumplings. • -20°C ~ -8°C: koelen van levensmiddelen voor langdurige opslag, zoals rauw vlees, vis, zeevruchten, dumplings. |
| Vriesvak | <ul style="list-style-type: none"> • Voedsel voor langdurige bewaring. • Zeevruchten, vis, vlees, dumplings en diepgevroren bakkerijproducten |

Aanbevolen temperatuurinstellingen

| Aanbevolen temperatuurinstellingen | |
|------------------------------------|--|
| Omgevingstemperatuur | Temperatuur instellen |
| Zomer (Boven 32°C) | Koelkast ingesteld op 2°C |
| | Slimme zone ingesteld op  |
| | Converteerbare zone ingesteld op 5/-19°C |
| | Vriezer ingesteld op -19°C |
| | Koelkast ingesteld op 3°C |
| | Slimme zone ingesteld op  |
| | Converteerbare zone ingesteld op 5/-19°C |
| | Vriezer ingesteld op -19°C |
| | Koelkast ingesteld op 3°C |
| | Slimme zone ingesteld op  |
| | Converteerbare zone ingesteld op 5/-19°C |
| | Vriezer ingesteld op -19°C |

Zomer
(Boven 32°C)

Normaal

Winter
(Onder 16°C)



- Bovenstaande informatie geeft de gebruikers aanbevelingen voor de juiste temperatuurinstelling.
- De temperatuurinstelling van de converteerbare zone hangt af van het soort voedsel.

Impact op het bewaren van voedsel

- In de aanbevolen instelling is de beste bewaartijd van de koelkast niet langer dan 3 dagen.
- In de aanbevolen instelling is de beste bewaartijd van de diepvries niet langer dan 1 maand.
- Bij andere instellingen kan de beste bewaartijd korter zijn.

Vers voedsel invriezen

- Het vriesvak is geschikt voor het invriezen van vers voedsel en het lang bewaren van ingevroren en diepgevroren voedsel.
- Plaats het verse voedsel dat moet worden ingevroren in het vriesvak.
- De maximale hoeveelheid voedsel die in 24 uur kan worden ingevroren, staat vermeld op het typeplaatje.
- Het invriesproces duurt 24 uur: voeg tijdens deze periode geen ander in te vriezen voedsel toe.

Diepvriesproducten bewaren

- Laat het apparaat bij ingebruikname of na een lange periode van niet-gebruik minstens 2 uur op een hogere stand werken, voordat u voedsel in de diepvries plaatst.



Belangrijk! In geval van onbedoeld ontdooien, bijvoorbeeld als de stroom langer is uitgevallen dan de tijd die is aangegeven onder "bewaartijd" in de tabel met technische gegevens, moet het ontdooide voedsel snel worden geconsumeerd of onmiddellijk worden gekookt en vervolgens opnieuw worden ingevroren (na het koken).

Ontdooien

Diepgevroren of ingevroren voedsel kan, voordat het wordt gebruikt, worden ontdooid in het koelvak of op kamertemperatuur, afhankelijk van de beschikbare tijd voor deze handeling. Kleine stukken kunnen zelfs bevroren, direct uit de diepvries, worden gekookt. In dit geval duurt het kookproces langer.

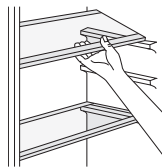
Ijsblokjesbakje

Dit apparaat kan zijn uitgerust met een of meerdere ijsblokjesbakjes om ijsblokjes te maken.

Accessoires

Verplaatsbare legplanken

De wanden van de koelkast zijn voorzien van een reeks geleiders zodat de legplanken naar wens geplaatst kunnen worden.



De deurrekken plaatsen

Om voedsel van verschillende afmetingen te kunnen bewaren, kunnen de deurrekken op verschillende hoogtes worden geplaatst. Om deze aanpassingen uit te voeren, ga als volgt te werk: trek het rek geleidelijk in de richting van de pijlen totdat het vrijkomt en verplaats het dan naar de vereiste hoogte.



Handige hints en tips

Voor de beste vriesprestaties, lees de volgende belangrijke tips:

- de maximale hoeveelheid voedsel die in 24 uur kan worden ingevroren. staat op het typeplaatje vermeld;
- het invriesproces duurt 24 uur. Gedurende deze periode mag er geen ander in te vriezen voedsel worden toegevoegd;
- vries uitsluitend vers en grondig schoongemaakt voedsel van topkwaliteit in;
- maak het voedsel in kleine porties klaar, zodat het snel en volledig kan worden ingevroren en alleen de nodige hoeveelheid ontdooid dient te worden;
- verpak het voedsel in aluminiumfolie of polytheen en zorg ervoor dat de verpakkingen luchtdicht zijn;
- laat vers, niet-ingevroren voedsel niet in aanraking komen met reeds ingevroren voedsel, om te voorkomen dat de temperatuur van het ingevroren voedsel toeneemt;
- mager voedsel kan beter en langer worden bewaard dan vet voedsel; zout verkort de houdbaarheid van het voedsel;
- waterijsjes kunnen mogelijk leiden tot vrieswonden op de huid, als ze onmiddellijk worden geconsumeerd nadat ze uit het vriesvak zijn gehaald;
- Het is raadzaam om de invriesdatum op elke afzonderlijke verpakking te vermelden wanneer u het voedsel in het vriesvak stopt. Wanneer het voedsel diep ingevroren is, is de temperatuur laag en kan het vrieswonden veroorzaken;
- Het is raadzaam om de invriesdatum op elke afzonderlijke verpakking te vermelden, zodat u de bewaartijd in de gaten kunt houden.

Tips voor het bewaren van diepvriesproducten

Om de beste prestaties van dit apparaat te krijgen, moet u:

- ervoor zorgen dat de diepvriesproducten op een juiste manier door de winkel werden bewaard;
- ervoor zorgen dat de diepvriesproducten in de kortst mogelijke tijd van de winkel naar de diepvries overgebracht worden;
- de deur niet te vaak openen of langer open laten staan dan strikt noodzakelijk.
- Wanneer ontdooid, bederft voedsel snel en kan het niet opnieuw worden ingevroren.
- Overschrijd de bewaartermijn niet die door de voedselproducent wordt aangegeven.

Tips voor het koelen van vers voedsel

Voor de beste prestaties:

- Bewaar geen warm voedsel of vloeistoffen die verdampen in de koelkast.
- Bedek of verpak het voedsel, vooral wanneer het een sterke smaak heeft.

- Maak (alle soorten): stop in polytheen zakken en leg ze op de glazen legplanken boven de groentelade.
- Bewaar ze voor de veiligheid op deze manier maximaal één tot twee dagen.
- Gekookt voedsel, koude gerechten, etc.: deze moeten worden afgedekt en kunnen op elk legplank worden geplaatst.
- Groenten en fruit: deze moeten grondig worden schoongemaakt en in de daarvoor bestemde lade(n) worden geplaatst.
- Boter en kaas: deze moeten in een speciaal luchtdicht bakje worden gestopt of in aluminiumfolie of een polytheen zak worden gestopt om zoveel mogelijk lucht buiten te houden.
- Melkflessen: breng een dop aan en bewaar ze in een deurrek.
- Bananen, aardappelen, uien en knoflook mogen, indien niet verpakt, niet in de koelkast worden bewaard.

Reiniging en onderhoud

Om hygiënische redenen moet de binnenkant van het apparaat, waaronder de interne accessoires, regelmatig worden schoongemaakt.



Voorzichtig! Het apparaat mag tijdens het reinigen niet op de voeding zijn aangesloten. Gevaar voor elektrische schokken! Zet voor het reinigen het apparaat uit en haal de stekker uit het stopcontact, of schakel de stroomonderbreker of zekering uit. Reinig het apparaat nooit met een stoomreiniger. Vocht kan zich ophopen in de elektrische componenten, gevaar voor elektrische schokken! Hete dampen kunnen leiden tot beschadiging van de kunststof onderdelen. Het apparaat moet droog zijn voordat het opnieuw in gebruik wordt genomen.



Belangrijk! Etherische oliën en organische oplosmiddelen kunnen de plastic onderdelen aantasten, bijv. citroensap of het sap van sinaasappelschil, boterzuur, een reinigingsmiddel dat azijnzuur bevat.

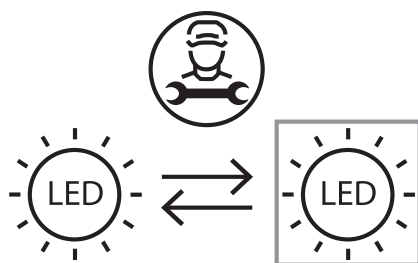
- Zorg ervoor dat dergelijke stoffen niet in contact komen met de onderdelen van het apparaat.
- Gebruik geen schurende reinigingsmiddelen.
- Haal het voedsel uit de diepvries. Bewaar ze op een koele plaats en goed afgedekt.
- Zet het apparaat uit en haal de stekker uit het stopcontact, of schakel de stroomonderbreker of zekering uit.
- Reinig het apparaat en de interne accessoires met een doek en lauw water. Na het reinigen, veeg schoon met vers water en veeg vervolgens droog.
- Wanneer alles droog is, schakel het apparaat weer in.

Ontdooibescrijving (No Frost)

Dit is een volledig No Frost-koelvriescombinatie die automatisch wordt ontdooid.

De lamp vervangen

- Dit product bevat een lichtbron van energie-efficiëntieklasse F aan de bovenkant van het koelvak.
- Dit product bevat een lichtbron van energie-efficiëntieklasse vrijgesteld aan de achterkant van het luchtkanaal van de koelkast.
- Dit product bevat twee lichtbronnen van energie-efficiëntieklasse vrijgesteld bovenop het vriesvak.
- De lichtbron in dit product kan alleen door een gekwalificeerde vakman worden vervangen.
- Neem contact op met de klantenservice als de lichtbron niet werkt.
- De lichtbron moet aan het einde van de gebruiksduur van het product worden verwijderd en apart worden gesorteerd en gerecycled.



"KOUD GEBIED"-indicator



Het onderstaande symbool is te vinden in uw koelkast.

Het geeft duidelijk de koudste zone van het apparaat aan, waar de temperatuur lager dan of gelijk aan +4°C is.

Een temperatuurmeter in deze zone helpt u om de instellingen van uw koelkast te controleren en te optimaliseren.



Pas de thermostaat aan

Probleemoplossing



Voorzichtig! Haal de stekker uit het stopcontact voordat u probeert het probleem op te lossen. Alleen een gekwalificeerde elektricien of een bevoegd persoon mag problemen oplossen die niet in deze handleiding staan vermeld.



Belangrijk! U hoort geluiden tijdens een normaal gebruik (compressor, circulatie van koelmiddel).

| Probleem | Mogelijke oorzaak | Oplossing |
|-----------------------------------|---|--|
| Apparaat werkt niet | <ul style="list-style-type: none"> • Stekker zit niet in het stopcontact of zit los. • Zekering is doorgebrand of defect. • Stopcontact is defect. | <ul style="list-style-type: none"> • Steek de stekker in het stopcontact. • Controleer de zekering en vervang, indien nodig. • Storingen in het elektriciteitsnet moeten door een elektricien worden verholpen. |
| Apparaat vriest of koelt te hevig | <ul style="list-style-type: none"> • Temperatuur is te koud ingesteld of het apparaat werkt in de SUPER-modus. | <ul style="list-style-type: none"> • Draai de temperatuurregelaar tijdelijk naar een warmere stand. |

| Probleem | Mogelijke oorzaak | Oplossing |
|--|--|---|
| Het voedsel is onvoldoende bevroren. | <ul style="list-style-type: none"> • De temperatuur is niet goed ingesteld. • Deur stond langere tijd open. • Er werd de afgelopen 24 uur een grote hoeveelheid warm voedsel in het apparaat geplaatst. • Het apparaat staat in de buurt van een warmtebron. | <ul style="list-style-type: none"> • Raadpleeg de sectie over de initiële temperatuurinstelling. • Open de deur alleen zo lang als nodig is. • Draai de temperatuurregelaar tijdelijk naar een koudere stand. • Raadpleeg de sectie over de installatielocatie. |
| Zware ijsvorming op de deurafdichting. | <ul style="list-style-type: none"> • De deurafdichting is niet luchtdicht. | <ul style="list-style-type: none"> • Verwarm de "lekkende" delen van de deurafdichting voorzichtig met een föhn (op een koele stand). Vorm tegelijkertijd met uw handen de verwarmde deurafdichting zodat deze goed zit. |
| Ongewone geluiden | <ul style="list-style-type: none"> • Apparaat staat niet waterpas. • Het apparaat raakt de muur of andere voorwerpen. • Een component, zoals een leiding, aan de achterkant van het apparaat raakt een ander deel van het apparaat of de muur. | <ul style="list-style-type: none"> • Pas de stelvoetjes aan. • Verplaats het apparaat lichtjes. • Buig het component voorzichtig uit de weg, indien nodig. |
| Water op de vloer | <ul style="list-style-type: none"> • Het waterafvoergat is verstopt. | <ul style="list-style-type: none"> • Raadpleeg de sectie Reiniging en onderhoud. |

Als de storing opnieuw optreedt, neem dan contact op met het servicecentrum. Deze gegevens zijn nodig om u snel en correct te helpen. Noteer hier de vereiste gegevens, raadpleeg hiervoor het typeplaatje.

¡Muchas gracias!

Muchas gracias por haber elegido nuestro producto VALBERG. Seleccionados, testados y recomendados por ELECTRO DEPOT, los productos de la marca VALBERG le aseguran una utilización sencilla, un rendimiento fiable y una calidad incuestionable.

Con este dispositivo puede estar seguro de que siempre quedará satisfecho al utilizarlo. Le damos la bienvenida a ELECTRO DEPOT.

Visite nuestra página web: www.electrodepot.es



ELECTRO DEPOT

66

ES

A

Descripción del aparato

Partes

B

Utilización del aparato

Instalación
Interfaz de usuario
Uso diario
Consejos y sugerencias útiles

C

Limpieza y mantenimiento

Limpieza y mantenimiento
Solución de problemas

Partes

- | | |
|--|---|
| A Conducto de aire metálico | G Patas niveladoras |
| B Estantes del frigorífico | H Cajón de gran tamaño convertible |
| C Zona de gran tamaño para verduras | I Zona inteligente |
| D Zona Natural | J Estante de puerta |
| E Bandeja deslizante | K Luz LED |
| F Cajón de gran tamaño del congelador | |

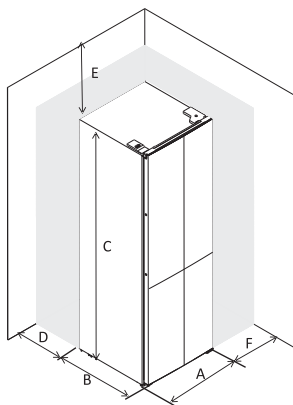
**Nota:**

Esta ilustración solo es indicativa, compruebe los detalles en su aparato.

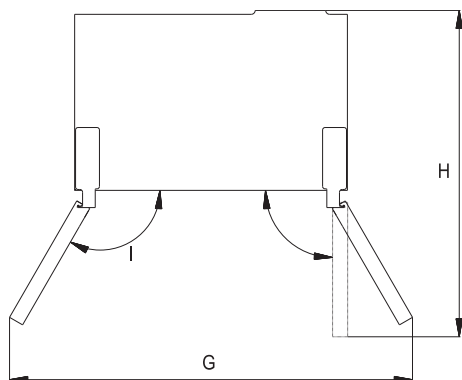
Instalación

Espacio necesario

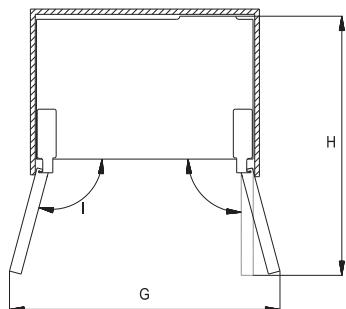
- Mantenga un espacio suficiente para abrir bien la puerta.
- La instalación independiente y la instalación empotrada tienen diferentes ángulos de apertura máxima de la puerta.



Instalación independiente



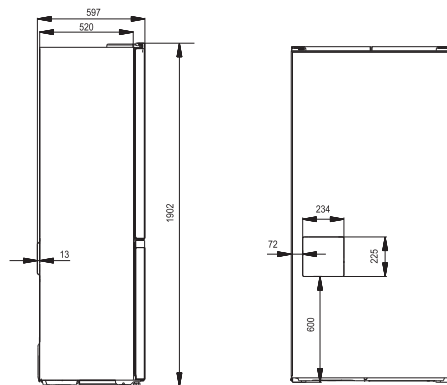
| | |
|----|------|
| A: | 905 |
| B: | 597 |
| C: | 1902 |
| D: | 3 |
| E: | 6 |
| F: | 6 |
| G: | 1335 |
| H: | 1020 |
| I: | 120° |

Instalación empotrada

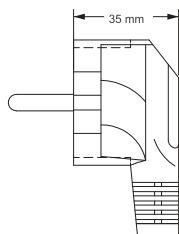
| | |
|----|------|
| A: | 905 |
| B: | 597 |
| C: | 1902 |
| D: | 3 |
| E: | 6 |
| F: | 6 |
| G: | 1128 |
| H: | 1020 |
| I: | 105° |

Consejos sobre la interferencia posicional

- La cubierta de la placa de circuito impreso ha sido diseñada para garantizar la distancia correcta entre la tabla del frigorífico y la pared, la posición más cercana entre el frigorífico y la pared es cuando la cubierta de la placa de circuito impreso toca la pared.
- Consulte la posición y las dimensiones de la cubierta de la placa de circuito impreso que se muestran a continuación, tenga en cuenta la posición de la toma de corriente para evitar interferencias posicionales con la cubierta de la placa de circuito impreso.



- Consulte las dimensiones del enchufe que se muestran a continuación, tenga en cuenta el grosor del enchufe y la toma de corriente si esta última está ubicada en la parte posterior del frigorífico.

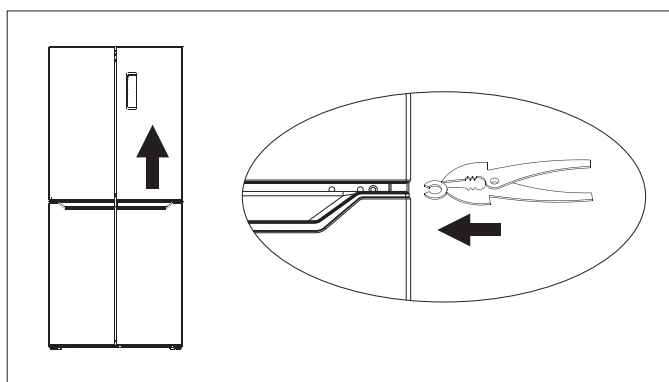


Nivelación de las puertas

Después del transportare o de llenar los estantes de la puerta con alimentos o bebidas, es posible que las dos puertas superiores no estén alineadas. Hay 3 arandelas de tipo C que se utilizan para ajustar las puertas. Siga los siguientes pasos para nivelar las puertas.



- Antes de comprobar la alineación de las puertas, asegúrese de que el aparato esté nivelado.
- Si la parte superior de las dos puertas superiores no parece estar alineada, levante ligeramente la puerta inferior e inserte una arandela de tipo C con un clip entre la parte inferior de la puerta y la bisagra central.



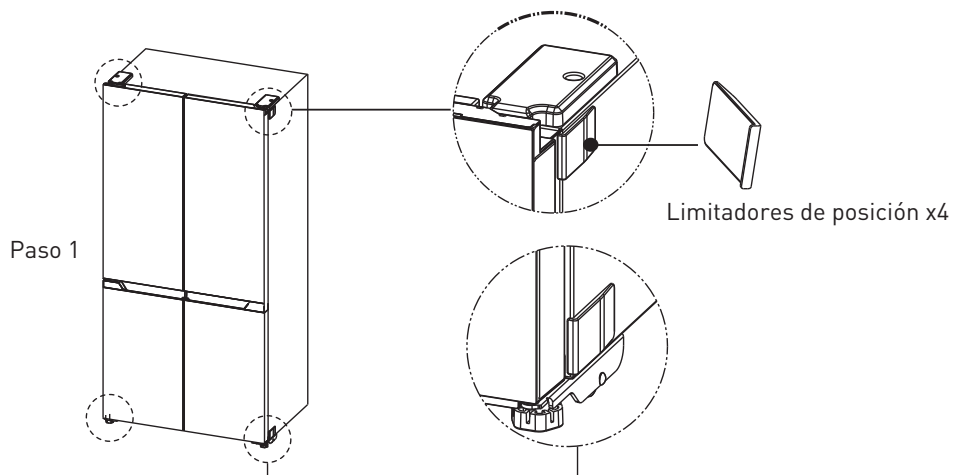
¡Advertencia!

- Tenga cuidado de no pillarse los dedos con la puerta. Utilice una herramienta.
- Mantenga las arandelas de tipo C fuera del alcance de los niños para evitar que las ingieran. Son piezas pequeñas.

1. Instalar limitadores

Durante el uso diario, el frigorífico puede moverse ligeramente. Para garantizar que el frigorífico se mantenga en la posición correcta dentro del armario, puede utilizar el limitador de posición antes de colocar el frigorífico en el armario.

1. Coja 4 limitadores de posición de la bolsa de accesorios.
2. Limpie el polvo de las esquinas del frigorífico.
3. Retire la cinta de doble cara del limitador, alínelo con las esquinas del frigorífico y péguelo.

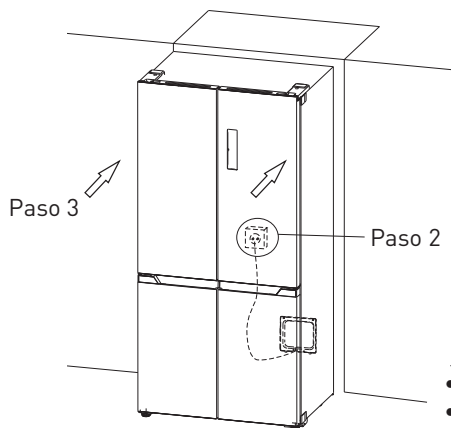


2. Enchufe el frigorífico

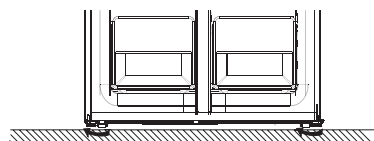
3. Empuje el frigorífico hasta la posición que desee

Hay 4 ruedas y 2 patas ajustables debajo del frigorífico. Para evitar posibles daños en el suelo, eleve las patas ajustables antes de empujar.

4. Ajuste las patas ajustables más abajo para estabilizar el frigorífico



Paso 4



- Nivele y fije el frigorífico ajustando las patas.
- Gire manualmente las patas en el sentido de las agujas del reloj para elevarlas.
- Gire manualmente las patas en el sentido contrario a las agujas del reloj para bajarlas.

Colocación

Instale este aparato en un lugar donde la temperatura ambiente se corresponda con la clase climática indicada en la placa de características del aparato:

Para aparatos frigoríficos con clase climática:

- templado ampliado: este aparato frigorífico está destinado a ser utilizado a temperaturas ambiente comprendidas entre 10 °C y 32 °C; (SN)
- templado: este aparato frigorífico está destinado a ser utilizado a temperaturas ambiente comprendidas entre 16 °C y 32 °C; (N)
- subtropical: este aparato frigorífico está destinado a ser utilizado a temperaturas ambiente comprendidas entre 16 °C y 38 °C; (ST)
- tropical: este aparato frigorífico está destinado a ser utilizado a temperaturas ambiente comprendidas entre 16 °C y 43 °C; (T)

Ubicación

El aparato debe instalarse lejos de fuentes de calor como radiadores, calderas, luz solar directa, etc. Asegúrese de que el aire pueda circular libremente por la parte trasera del aparato. Para garantizar el mejor rendimiento, si el aparato se coloca debajo de un mueble alto, la distancia mínima entre la parte superior del aparato y el mueble alto debe ser de al menos 50 mm. Sin embargo, lo ideal es no colocar el aparato debajo de muebles altos. Una o varias patas ajustables en la base del aparato garantizan una nivelación precisa.

Este aparato frigorífico no está destinado a ser utilizado como aparato empotrado;



¡Advertencia! El aparato debe poder desconectarse de la red eléctrica, por lo que el enchufe debe ser fácilmente accesible después de la instalación.

Conexión eléctrica

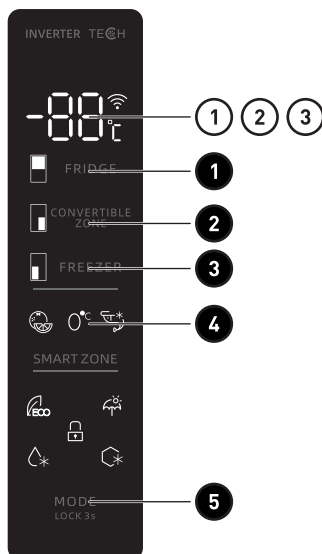
Antes de enchufarlo, asegúrese de que la tensión y la frecuencia indicadas en la placa de características se corresponden con las de su red eléctrica doméstica. El aparato debe estar conectado a tierra. El enchufe del cable de alimentación está provisto de un contacto para este fin. Si la toma de corriente doméstica no dispone de toma de tierra, conecte el aparato a una toma de tierra independiente conforme a la normativa vigente, consultando a un electricista cualificado.

El fabricante no aceptará ninguna responsabilidad si no se siguen las anteriores precauciones de seguridad.

Este aparato cumple las Directivas Europeas.

Interfaz de usuario

Uso del panel de control



Funcionamiento de los botones

- 1 Ajuste de temperatura del frigorífico

- 2 Ajuste de temperatura de la zona convertible

- 3 Ajuste de temperatura del congelador

- 4 Ajuste de la Zona inteligente (alimentos para bebés, 0 °C fresco, congelación suave)

- 5 Ajuste de Bloqueo/Desbloqueo/Modo

Pantalla LED

- 1 Temperatura del compartimento del frigorífico

- 2 Temperatura del compartimento del congelador

- 3 Temperatura del compartimento convertible

Condiciones de funcionamiento

- El panel de control se ilumina al 100 % durante 3 segundos, funcionando exactamente según los ajustes (modo y temperatura) anteriores al apagado. El sistema se bloqueará automáticamente 25 segundos después de que se haya pulsado el último botón. Después del bloqueo, la luz del panel se apagará 120 segundos después de que se haya pulsado el último botón.
- La temperatura del frigorífico/congelador/zona convertible se mostrará por separado al ajustar la temperatura de cada zona.

Pantalla

- El panel se iluminará durante 2 minutos una vez que se abra la puerta del compartimento del frigorífico o del congelador. (Se detecta una señal de la puerta a la vez).
- El panel se iluminará cuando se pulse cualquier botón, mientras que la luz se apagará 2 minutos después de que se haya pulsado el último botón.
- Visualización durante el funcionamiento normal
Visualización de la temperatura del compartimento del frigorífico: Indica la temperatura del ajuste actual.
Visualización de la temperatura del compartimento del congelador: Indica la temperatura del ajuste actual.
Visualización de la temperatura del compartimento convertible: Indica la temperatura del ajuste actual.

Ilustración de las teclas**Control de temperatura del compartimento del frigorífico**

- Control de temperatura del compartimento del frigorífico: Este botón funciona tanto en el modo Definido por el usuario como en el modo SUPER. Después de introducir el control de temperatura del compartimento del frigorífico, este botón parpadea. Cuando toque el botón repetidamente, la temperatura cambiará en un ciclo de «2 °C, 3 °C, 4 °C, 5 °C, 6 °C, 7 °C, 8 °C, --(apagado)», después, un parpadeo de 5 segundos indicará que se ha establecido la selección de la temperatura.
- Apagado del compartimento del frigorífico: Presione el botón de "Control de temperatura del compartimento del frigorífico", seleccione "- -", un parpadeo de 5 segundos indicará que se realizó la selección de temperatura, es decir, el compartimento del frigorífico detendrá la refrigeración.

Control de temperatura del compartimento del congelador

Control de temperatura del compartimento del congelador: Este botón funciona tanto en el modo Definido por el usuario como en el modo Vacaciones. Después de introducir el control de temperatura del compartimento del congelador, este botón parpadea. Cuando toque el botón repetidamente, la temperatura cambiará en un ciclo de «-14 °C, -15 °C, -16 °C, -17 °C, -18 °C, -19 °C, -20 °C, -21 °C, -22 °C», después, un parpadeo de 5 segundos indicará que se ha establecido la selección de la temperatura.

Control de temperatura del compartimento convertible

- Control de temperatura del compartimento convertible: Este botón funciona tanto en el modo Definido por el usuario como en otros modos. Después de introducir el control de temperatura del compartimento convertible, este botón parpadea. Cuando toque el botón repetidamente, la temperatura cambiará en un ciclo de "5 °C, 4 °C, 3 °C, 2 °C, 1 °C, 0 °C, -1 °C, -2 °C, -3 °C, -4 °C, -5 °C, -6 °C, -7 °C, -8 °C, -9 °C, -10 °C, -11 °C, -12 °C, -13 °C, -14 °C, -15 °C, -16 °C, -17 °C, -18 °C, -19 °C, -20 °C, --(apagado)" y, después, un parpadeo de 5 segundos indicará que se ha establecido la selección de temperatura.
- Apagado del compartimento convertible del frigorífico:
Presione el botón de "Control de temperatura del compartimento convertible", seleccione "- -", un parpadeo de 5 segundos indicará que se realizó la selección de temperatura, es decir, el compartimento convertible detendrá la refrigeración.

Control de temperatura del compartimento de la Zona inteligente

Este botón funciona tanto en el modo Definido por el usuario como en el modo SUPER. Cuando toque el botón repetidamente, el logotipo se iluminará en un ciclo de "alimentos para bebés, 0 °C fresco, congelación suave", y la temperatura correspondiente será:

- Alimentos para bebés: 3 °C,
- 0 °C fresco: 0 °C,
- congelación suave: -1,5 °C.

Modo / Bloqueo / Desbloqueo

- Cuando toque el botón repetidamente, el modo de funcionamiento del frigorífico cambiará en un ciclo de «Modo ECO - Modo Vacaciones - Modo Super - Modo Definido por el usuario». Un parpadeo de 5 segundos indicará que se ha establecido la selección de la temperatura.
- Mantenga presionado para Entrar/Salir del modo de Bloqueo
 - Desbloqueo: Pulse durante 3 segundos en el modo de bloqueo y todos los botones se desbloquearán tras un pitido.
 - Bloqueo: Pulse durante 3 segundos en el modo de desbloqueo y todos los botones se bloquearán tras un pitido.

Pulsación de los botones

- Sonará un pitido breve cada vez que se pulse un botón.
- Todos los botones solo estarán operativos en el modo de desbloqueo.

Función de bloqueo

- Si no se realiza ninguna operación en 25 segundos, la pantalla se bloqueará automáticamente.

Modo ECO

Pulse el modo para seleccionar el modo ECO. El icono ECO permanecerá encendido después de parpadear durante 5 segundos para entrar en el modo ECO.

La temperatura del frigorífico y del congelador se ajustará según la siguiente temperatura:

| Temperatura ambiente (T) | $T \leq 13 \text{ }^\circ\text{C}$ | $13 \text{ }^\circ\text{C} < T \leq 20 \text{ }^\circ\text{C}$ | $20 \text{ }^\circ\text{C} < T \leq 27 \text{ }^\circ\text{C}$ | $27 \text{ }^\circ\text{C} < T \leq 34 \text{ }^\circ\text{C}$ | $T > 34 \text{ }^\circ\text{C}$ |
|-----------------------------|------------------------------------|--|--|--|---------------------------------|
| Temperatura del frigorífico | 3 °C | 4 °C | 5 °C | 6 °C | 8 °C |
| Temperatura del congelador | -18 °C | -18 °C | -18 °C | -16 °C | -15 °C |

Los botones «Freezer» (Congelador) y «Fridge» (Frigorífico) no funcionan en el modo ECO. La temperatura del compartimento convertible se puede ajustar libremente mediante el ajuste de la temperatura de la zona convertible. Salir del modo ECO: Seleccione el modo, saldrá del modo ECO tras 5 segundos y entrará en el modo seleccionado.

Modo Vacaciones

- Pulse el modo para seleccionar el modo Vacaciones. El icono permanecerá iluminado tras parpadear durante 5 segundos y entrará en el modo vacaciones.
- La temperatura se fijará en 17 °C en el compartimento del frigorífico, el botón «fridge» (frigorífico) no funcionará y el icono de Vacaciones parpadeará tres veces para avisar.
- La temperatura del compartimento del congelador y del compartimento convertible se pueden ajustar libremente.
- Salir del modo Vacaciones: Seleccione el modo, saldrá del modo Vacaciones tras 5 segundos y entrará en el modo seleccionado.

Modo Muy frío

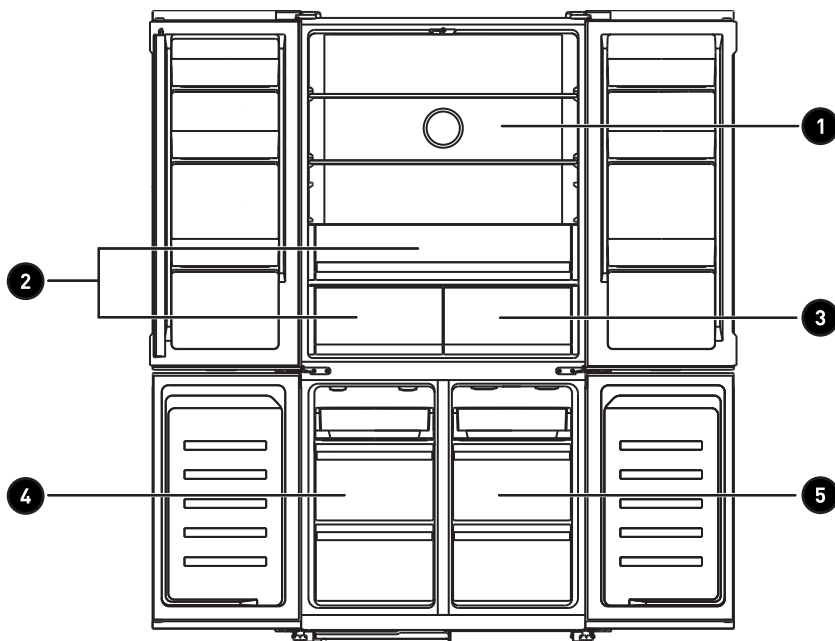
- Presione el modo para seleccionar el modo Muy frío, el icono permanecerá encendido después de parpadear durante 5 segundos.
- La temperatura se fijará en 2 °C en el compartimento del frigorífico, el botón «fridge» (frigorífico) no funcionará y el icono de Muy frío parpadeará tres veces para avisar.
- La temperatura del compartimento del congelador y del compartimento convertible se pueden ajustar libremente.
- Saldrá del modo Muy frío automáticamente después de estar 2,5 horas activado.

Modo Supercongelación

- Seleccione el modo, el icono permanecerá iluminado después de 5 segundos parpadeando y entrará en el modo Congelación.
- Modo Congelación:
 - La temperatura se fijará en -25 °C en el compartimento del congelador, el botón «freezer» (congelador) no funcionará y el icono de Congelación parpadeará tres veces para avisar.
 - La temperatura del compartimento del frigorífico y del compartimento convertible se pueden ajustar libremente.
- Salir del modo Congelación: cumpla las siguientes condiciones.
 - Salga manualmente del modo Congelación.
 - Tiempo de congelación superior a 50 horas
- El modo permanecerá igual antes de entrar en el modo Supercongelación.

Aviso de puerta abierta

Si la puerta del frigorífico o del congelador permanece abierta durante 60 segundos, se activará una alarma periódica y se repetirá este ciclo hasta que se cierre la puerta.

Zona multitemperatura

- 1 Temperatura del frigorífico: 2 °C a 8 °C/ Apagado controlado por el panel de visualización operativo

- 2 Zona de verduras y natural. 2 °C a 8 °C

- 3 Temperatura de la zona inteligente: -1,5 °C / 0 °C / 3 °C

- 4 Temperatura del congelador: -22 °C a -14 °C
Controlada mediante el panel de visualización

- 5 Temperatura de la zona convertible: -20 °C a 5 °C / Apagado
Controlada mediante el panel de visualización

Uso diario**Primer uso****Limpieza del interior**

Antes de utilizar el aparato por primera vez, lave el interior y todos los accesorios internos con agua tibia y un poco de jabón neutro para eliminar el olor típico de un producto nuevo y, a continuación, séquelos bien.



¡Importante! No utilice detergentes ni polvos abrasivos, ya que dañarían el acabado.

Uso diario




Coloque los diferentes alimentos en los distintos compartimentos según la tabla siguiente:

| Compartimentos frigoríficos | Tipo de alimentos |
|--|---|
| Puerta o estantes de la puerta del compartimento del frigorífico | <ul style="list-style-type: none"> Alimentos con conservantes naturales, como mermeladas, zumos, bebidas y condimentos. No guarde alimentos perecederos. |
| Zona del cajón para verduras | <ul style="list-style-type: none"> Las frutas, hierbas y verduras deben guardarse separadas en el cajón de la verdura. No guarde plátanos, cebollas, patatas ni ajos en el frigorífico. |
| Estante del frigorífico | <ul style="list-style-type: none"> Lácteos, huevos, pasteles, pasta, pizza. Alimentos que no hay que cocinar, como comida preparada, charcutería, sobras. |
| Zona natural | <ul style="list-style-type: none"> Retiene la humedad y la frescura. Alarga el tiempo de conservación. Frutas y verduras frescas, alimentos valiosos. |
| Zona inteligente | <ul style="list-style-type: none"> Alimentos para bebés 3 °C, almacenamiento independiente y alimentos valiosos. 0 °C fresco: 0 °C, bebidas, cerveza, vino tinto, alimentos valiosos. Congelación suave: -1,5 °C, enfriamiento de alimentos para almacenamiento a corto plazo, como carne cruda, pescado, marisco y bolas de masa. |
| Compartimento convertible | <ul style="list-style-type: none"> -20 °C a 5 °C, amplio rango de temperatura variable. 3 °C a 5 °C: fruta fresca, verduras. 0 °C a 2 °C: bebidas, cerveza, vino tinto, alimentos valiosos. -7 °C a -1 °C: enfriamiento de alimentos para almacenamiento a corto plazo, como carne cruda, pescado, marisco y bolas de masa. -20 °C a -8 °C: enfriamiento de alimentos para almacenamiento a largo plazo, como carne cruda, pescado, marisco y bolas de masa. |

Compartimento del congelador

- Alimentos almacenados durante un periodo prolongado de tiempo.
- Marisco, pescado, carne, bolas de masa, productos horneados congelados.

Recomendación de ajuste de temperatura

| Recomendación de ajuste de temperatura | |
|--|---|
| Temperatura ambiente | Ajuste de la temperatura |
| Verano (Más de 32 °C) | Frigorífico ajustado en 2 °C |
| | Zona inteligente activada  |
| Normal | Zona convertible establecida en 5/-19 °C |
| | Congelador ajustado en -19 °C |
| | Frigorífico ajustado en 3 °C |
| | Zona inteligente activada  |
| | Zona convertible establecida en 5/-19 °C |
| | Congelador ajustado en -19 °C |
| Invierno (Menos de 16 °C) | Frigorífico ajustado en 3 °C |
| | Zona inteligente activada  |
| | Zona convertible establecida en 5/-19 °C |
| | Congelador ajustado en -19 °C |



- La anterior información es una recomendación sobre el ajuste de la temperatura para los usuarios.
- El ajuste de temperatura de la zona convertible depende del alimento principal.

Impacto en el almacenamiento de alimentos

- Con la configuración recomendada, lo mejor es no superar los 3 días de almacenamiento en el frigorífico.
- Con la configuración recomendada, lo mejor es no superar 1 mes de almacenamiento en el congelador.
- El mejor tiempo de almacenamiento puede reducirse con otros ajustes.

Congelación de alimentos frescos

- El compartimento congelador es adecuado para congelar alimentos frescos y almacenar alimentos congelados y ultracongelados durante mucho tiempo.
- Coloque los alimentos frescos que desee congelar en el congelador.
- La cantidad máxima de alimentos que se pueden congelar en 24 horas se especifica en la placa de características.
- El proceso de congelación dura 24 horas: durante este periodo no añada otros alimentos que se vayan a congelar.

Almacenamiento de alimentos congelados

- Cuando se ponga en marcha por primera vez o después de un periodo sin uso, antes de colocar el producto en el compartimento deje que el aparato funcione al menos 2 horas con las configuraciones de temperatura más altas.



¡Importante! En caso de descongelación accidental, por ejemplo, si se produce un corte de electricidad durante un tiempo superior al indicado en el cuadro de características técnicas, en el apartado «tiempo de subida», los alimentos descongelados deben consumirse rápidamente o cocinarse inmediatamente y, a continuación, volver a congelarse (una vez cocinados).

Descongelación

Antes de utilizarlos, los alimentos ultracongelados o congelados se pueden descongelar en el compartimento del frigorífico o a temperatura ambiente, dependiendo del tiempo disponible para esta operación.

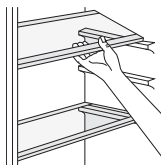
Los trozos pequeños pueden incluso cocinarse aún congelados, directamente del congelador. En ese caso, la cocción tardará más tiempo.

Cubitos de hielo

Este aparato puede estar equipado con una o varias cubiteras para hacer cubitos de hielo.

Accesorios**Estantes móviles**

Las paredes del frigorífico están equipadas con una serie de guías para poder colocar los estantes como se desee.



Colocación de los estantes de la puerta

Para permitir el almacenamiento de paquetes de alimentos de distintos tamaños, los estantes de la puerta pueden colocarse a diferentes alturas. Para realizar estos ajustes, proceda del siguiente modo: tire gradualmente del estante de la puerta en la dirección de las flechas hasta que se suelte y, a continuación, vuelva a colocarlo según sea necesario.



Consejos y sugerencias útiles

Para ayudarle a aprovechar al máximo el proceso de congelación, le damos algunos consejos importantes:

- la cantidad máxima de alimentos que pueden congelarse en 24 h se indica en la placa de características;
- el proceso de congelación dura 24 horas. Durante este periodo, no deben añadirse más alimentos que vayan a congelarse;
- congele únicamente alimentos de primera calidad, frescos y perfectamente limpios;
- prepare los alimentos en pequeñas porciones para congelarlos rápida y completamente y poder descongelar después solo la cantidad necesaria;
- envuelva los alimentos en papel de aluminio o polietileno y asegúrese de que los envases son herméticos;
- no deje que los alimentos frescos, no congelados, toquen los que ya están congelados para evitar que aumente la temperatura de estos últimos;
- los alimentos magros se conservan mejor y durante más tiempo que los grasos; la sal reduce la duración de conservación de los alimentos;
- los helados de agua, si se consumen inmediatamente después de sacarlos del congelador, pueden provocar quemaduras por congelación en la piel;
- es aconsejable indicar la fecha de congelación en cada envase individual para poder retirarlo del congelador, ya que pueden provocar quemaduras por congelación en la piel;
- es aconsejable indicar la fecha de congelación en cada envase individual para poder controlar el tiempo de conservación.

Consejos para el almacenamiento de alimentos congelados

Para obtener el mejor rendimiento de este aparato:

- asegúrese de que los productos alimenticios congelados comercialmente fueron almacenados adecuadamente por el minorista;
- asegúrese de que los alimentos congelados se trasladan del almacén de alimentos al congelador en el menor tiempo posible;
- no abra la puerta con frecuencia ni la deje abierta más tiempo del estrictamente necesario.
- Una vez descongelados, los alimentos se deterioran rápidamente y no se pueden volver a congelar.
- No supere el periodo de conservación indicado por el fabricante del alimento.

Consejos para la refrigeración de alimentos frescos

Para obtener el mejor rendimiento:

- No guarde alimentos calientes ni líquidos que se evaporen en el frigorífico.
- Tape o envuelva los alimentos, sobre todo si tienen un sabor fuerte.
- Envuélvalos (todos los tipos) en bolsas de polietileno y póngalos en los estantes de cristal encima del cajón de las verduras.
- Por seguridad, conserve así solo uno o dos días como máximo.
- Alimentos cocinados, platos fríos, etc.: deben taparse y se pueden colocar en cualquier estante.
- Frutas y verduras: deben limpiarse a fondo y colocarse en el cajón o cajones especiales previstos para ello.
- Mantequilla y queso: deben colocarse en recipientes herméticos especiales o envolverse en papel de aluminio o bolsas de polietileno para excluir la mayor cantidad de aire posible.
- Botellas de leche: deben tener tapón y guardarse en los estantes de la puerta.
- Los plátanos, las patatas, las cebollas y los ajos, si no están envasados, no deben conservarse en el frigorífico.

Limpieza y mantenimiento

Por razones de higiene, el interior del aparato, incluidos los accesorios interiores, debe limpiarse con regularidad.



¡Precaución! El aparato no debe estar conectado a la red eléctrica durante la limpieza. ¡Peligro de descarga eléctrica! Antes de limpiar el aparato, apáguelo y desenchúfelo de la red eléctrica o apague o desconecte el disyuntor o el fusible. No limpie nunca el aparato con un limpiador de vapor. Podría acumularse humedad en los componentes eléctricos: ¡peligro de descarga eléctrica! Los vapores calientes pueden provocar daños en las piezas de plástico. El aparato debe estar seco antes de volver a ponerlo en servicio.



¡Importante! Los aceites etéreos y los disolventes orgánicos pueden estropear las piezas de plástico: p. ej., el zumo de limón o el zumo de cáscara de naranja, el ácido butírico o los limpiadores que contienen ácido acético.

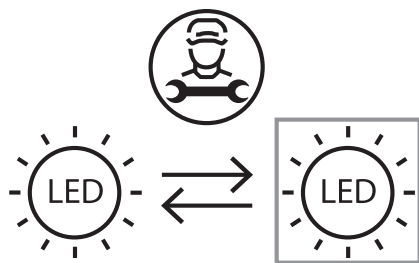
- No permita que estas sustancias entren en contacto con las piezas del aparato.
- No utilice limpiadores abrasivos.
- Saque los alimentos del congelador. Guárdelos en un lugar fresco, bien tapados.
- Apague el aparato y desenchúfelo de la red o apague o desconecte el disyuntor o el fusible.
- Limpie el aparato y los accesorios interiores con un paño y agua tibia. Después de la limpieza, limpie con agua dulce y seque frotando.
- Cuando todo esté seco, vuelva a poner el aparato en servicio.

Descripción de la descongelación (No Frost)

Es un frigorífico-congelador totalmente No Frost (libre de hielo) que se descongela automáticamente.

Sustitución de la bombilla

- Este producto contiene una fuente de luz de clase de eficiencia energética F en la parte superior del compartimento frigorífico.
- Este producto contiene una fuente de luz con exención de clase de eficiencia energética en la parte posterior del conducto de aire del frigorífico.
- Este producto contiene dos fuentes de luz de exención de clase de eficiencia energética en la parte superior del compartimento del congelador.
- La fuente de luz de este producto solo puede ser sustituida por un técnico cualificado.
- Póngase en contacto con el servicio de posventa si falla la fuente de luz.
- La fuente de luz deberá sacarse al final de la vida útil del producto, y la clasificación y el reciclado se harán por separado.



Indicador de «ZONA FRÍA»



El signo de al lado se encuentra en el frigorífico.

Muestra claramente la zona más fría del aparato, donde la temperatura es inferior o igual a +4 °C.

Un indicador de temperatura en esta zona le permite comprobar los ajustes del frigorífico.



Ajustar el termostato

Solución de problemas



¡Precaución! Antes de intentar solucionar el problema, desconecte la fuente de alimentación. Solo un electricista cualificado o una persona competente debe realizar la localización de averías que no figuren en este manual.



¡Importante! Hay algunos sonidos durante el uso normal (compresor, circulación del refrigerante).

| Problema | Posible causa | Solución |
|---------------------------------------|--|--|
| El aparato no funciona | <ul style="list-style-type: none"> • El enchufe del cable de alimentación no está enchufado o está suelto • El fusible se ha fundido o está defectuoso • La toma de corriente no funciona correctamente | <ul style="list-style-type: none"> • Enchufe el aparato a la red. • Compruebe el fusible, sustitúyalo si es necesario. • Las averías en la red eléctrica debe repararlas un electricista. |
| El aparato enfría o congela demasiado | <ul style="list-style-type: none"> • La temperatura ajustada es demasiado fría o el aparato está funcionando en el modo SUPER. | <ul style="list-style-type: none"> • Coloque temporalmente el mando de ajuste de la temperatura en un ajuste más cálido. |

| Problema | Posible causa | Solución |
|--|--|--|
| Los alimentos no están lo suficientemente congelados. | <ul style="list-style-type: none"> • La temperatura no está ajustada correctamente. • La puerta estuvo abierta durante mucho tiempo. • Se ha introducido una gran cantidad de comida caliente en el aparato en las últimas 24 horas. • El aparato está cerca de una fuente de calor. | <ul style="list-style-type: none"> • Consulte la sección inicial Ajuste de la temperatura. • Abra la puerta solo el tiempo necesario. • Ponga temporalmente la regulación de la temperatura en un ajuste más frío. • Consulte la sección de ubicación de la instalación. |
| Se ha acumulado bastante hielo en la junta de la puerta. | <ul style="list-style-type: none"> • La junta de la puerta no es hermética. | <ul style="list-style-type: none"> • Caliente con cuidado las zonas donde haya fugas en la junta de la puerta con un secador de pelo (con un ajuste frío). Al mismo tiempo, dé forma con la mano a la junta de la puerta ya calentada de forma que quede correctamente asentada. |
| Ruidos inusuales | <ul style="list-style-type: none"> • El aparato no está nivelado. • El aparato está tocando la pared u otros objetos. • Un componente, p. ej. una tubería, en la parte trasera del aparato está tocando otra parte del aparato o la pared. | <ul style="list-style-type: none"> • Reajuste las patas. • Mueva ligeramente el aparato. • Si es necesario, doble con cuidado el componente para apartarlo. |
| Hay agua en el suelo | <ul style="list-style-type: none"> • El orificio de drenaje de agua está obstruido. | <ul style="list-style-type: none"> • Consulte el apartado Limpieza y cuidado. |

Si la avería se repite, póngase en contacto con el centro de asistencia.

Estos datos son necesarios para ayudarle rápida y correctamente. Escriba aquí los datos necesarios, consulte la placa de especificaciones.





WARRANTY CONDITIONS

EN

This product is guaranteed against faults caused by defects in manufacturing or the materials used for a period of two years, starting from the date of purchase.* This warranty does not cover defects or damage caused by failure to install the device correctly, incorrect use of the product, or excessive wear and tear.

*proof of purchase required.

CONDITION DE GARANTIE

FR

Ce produit est garanti pour une période de 2 ans à partir de la date d'achat*, contre toute défaillance résultant d'un vice de fabrication ou de matériau. Cette garantie ne couvre pas les vices ou les dommages résultant d'une mauvaise installation, d'une utilisation incorrecte ou de l'usure anormale du produit.

*sur présentation du ticket de caisse.

GARANTIEVOORWAARDEN

NL

Dit product wordt gegarandeerd voor een periode van 2 jaar vanaf de aankoopdatum*, voor elke storing die het gevolg is van een fabricagefout of het materiaal. Gebreken of schade door slechte installatie, onjuist gebruik of abnormale slijtage van het product worden niet gedekt door deze garantie.

*op vertoon van kassabon.

CONDICIONES DE GARANTÍA

ES

El certificado de garantía de este producto tiene una duración de 3 años a partir de la fecha de compra* que se limita a los defectos de fabricación y averías del material. Se excluyen de la garantía deficiencias o daños originados por una mala instalación, errores en la manipulación o por un uso inadecuado.

*previa presentación del comprobante de compra.

ELECTRO DEPOT

1 route de Vendeville

59155 FACHES-THUMESNIL - FRANCE

productsupport@contact.electrodepot.fr

