
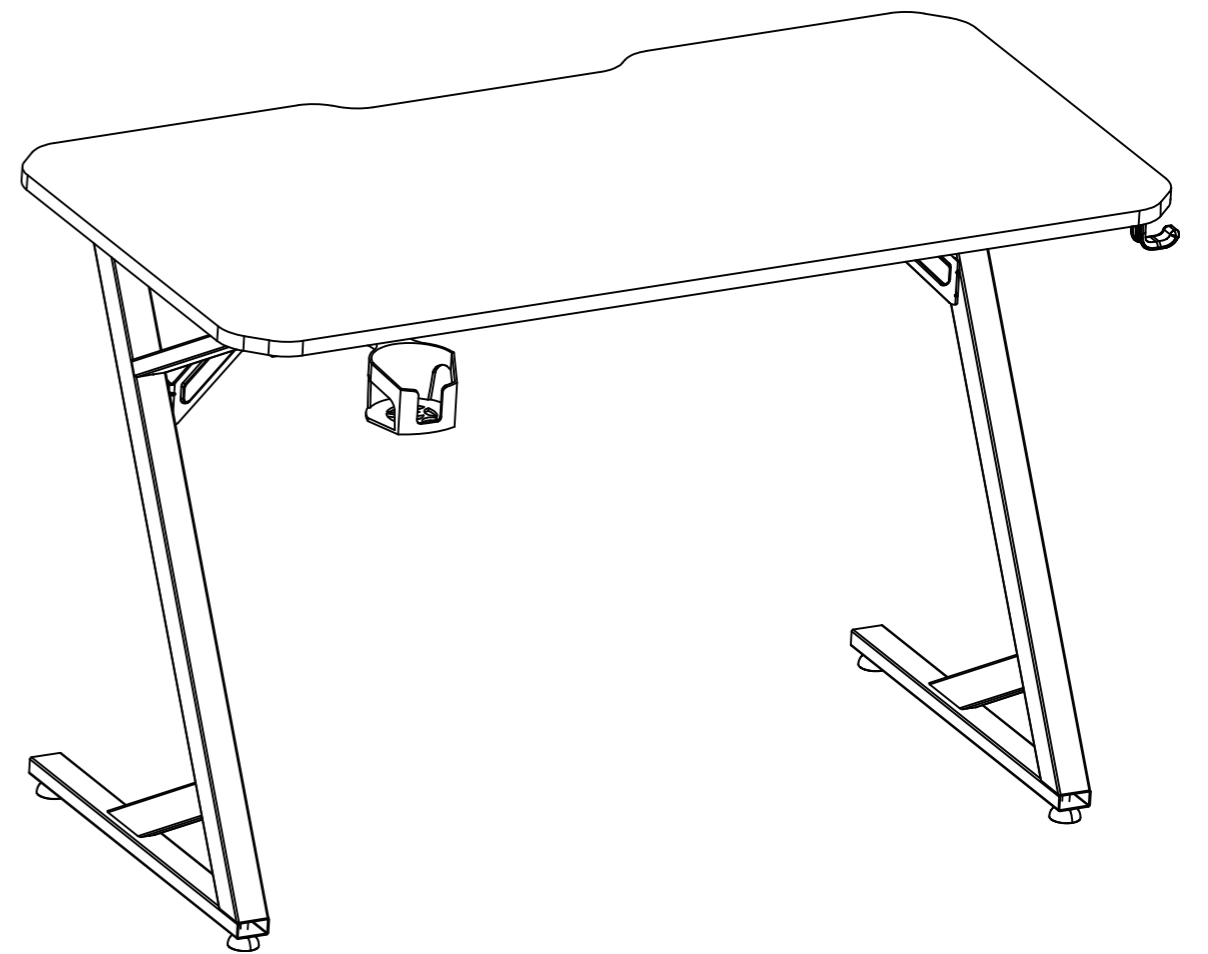


Gaming Desk

MOUNTING INSTRUCTIONS

 ≤80kg
(≤176.4lbs)

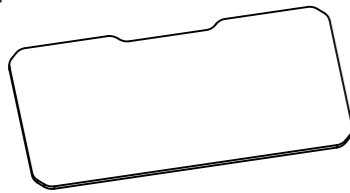
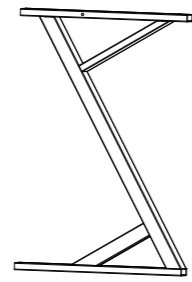
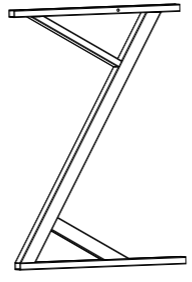
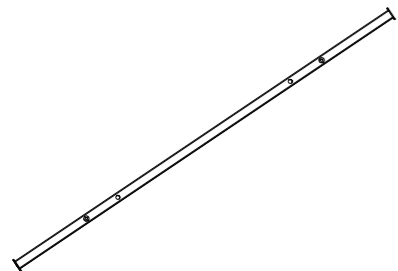
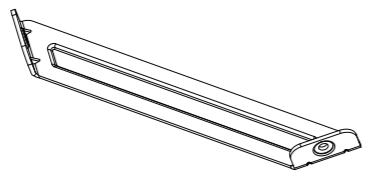
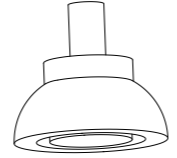
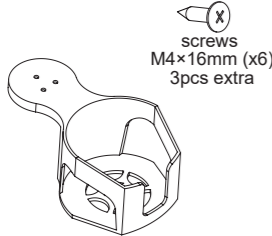
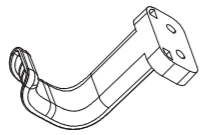



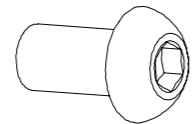
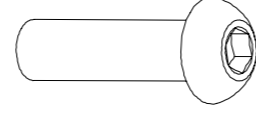
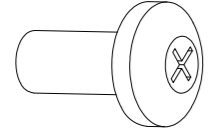
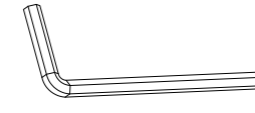
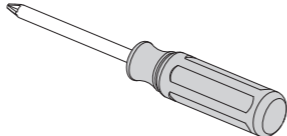
CAUTION

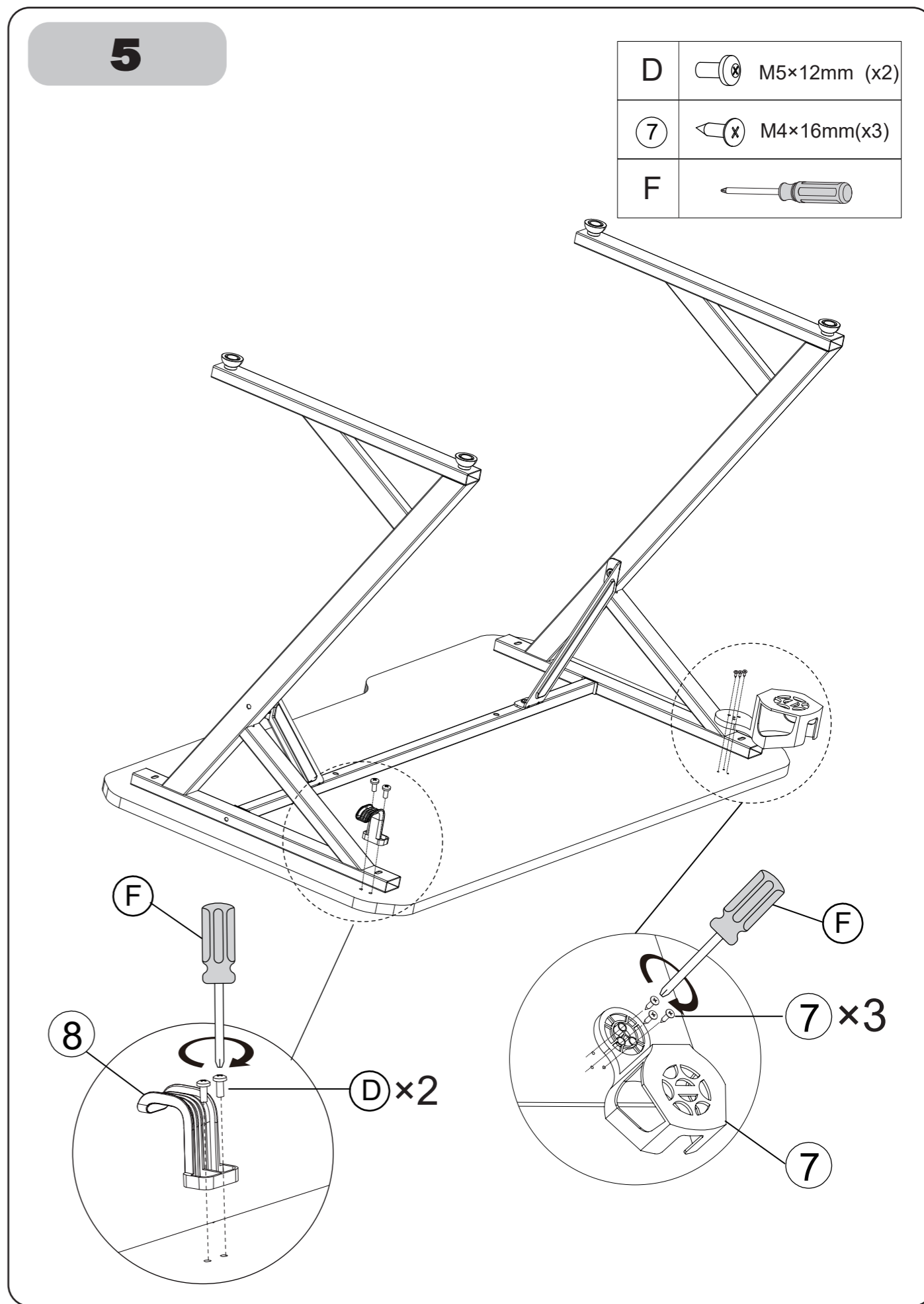
DO NOT EXCEED MAXIMUM LISTED WEIGHT CAPACITY.
SERIOUS INJURY OR PROPERTY DAMAGE MAY OCCUR.

PARTS LIST

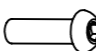



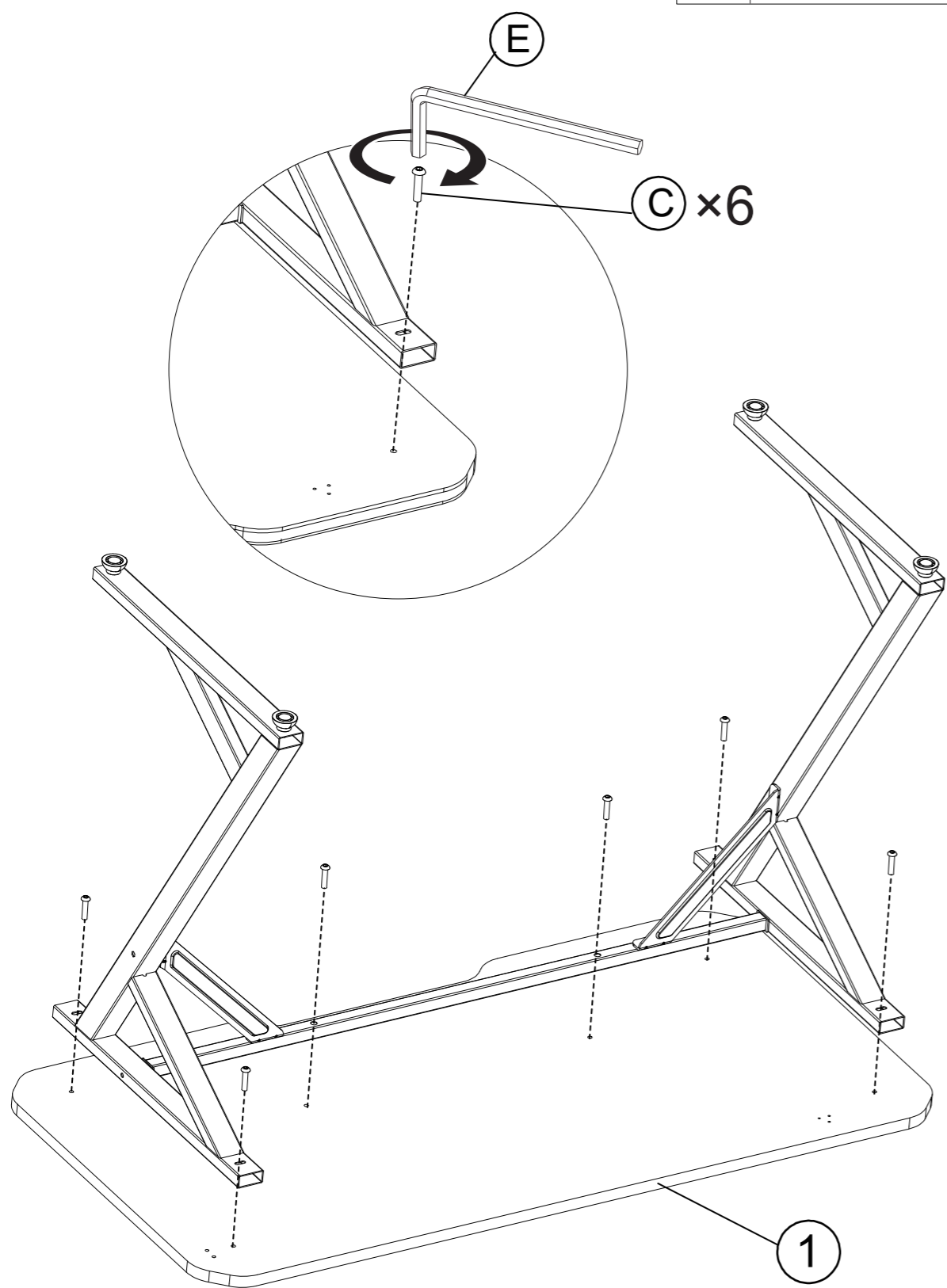
 <p>① Tabletop (x1)</p>	 <p>② Left leg (x1)</p>	 <p>③ Right leg (x1)</p>
 <p>④ Crossbar (x1)</p>	 <p>⑤ Bracing (x2)</p>	 <p>⑥ Feets (x4)</p>
 <p>⑦ Cup holder (x1) screws M4×16mm (x6) 3pcs extra</p>	 <p>⑧ Headphone hanger (x1)</p>	

 <p>A M6×50mm (x2)</p>	 <p>B M6×12mm (x4)</p>	 <p>C M6×30mm (x6)</p>
 <p>D M5×12mm (x2)</p>	 <p>E S=4mm (x1)</p>	 <p>F</p>



4

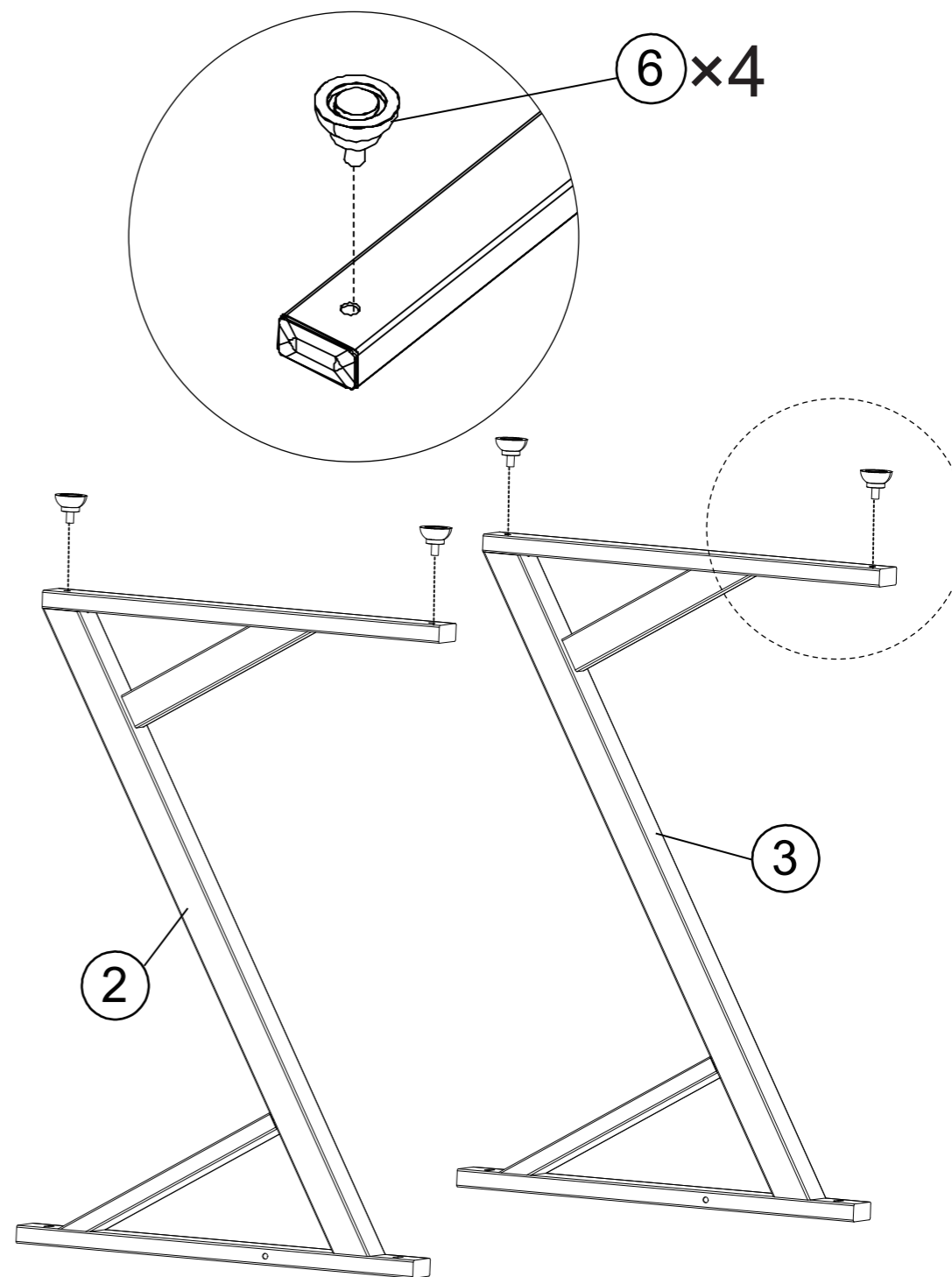
C	 M6×30mm (x6)
E	 S=4mm



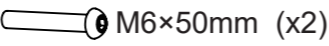

INSTALLATION STEPS

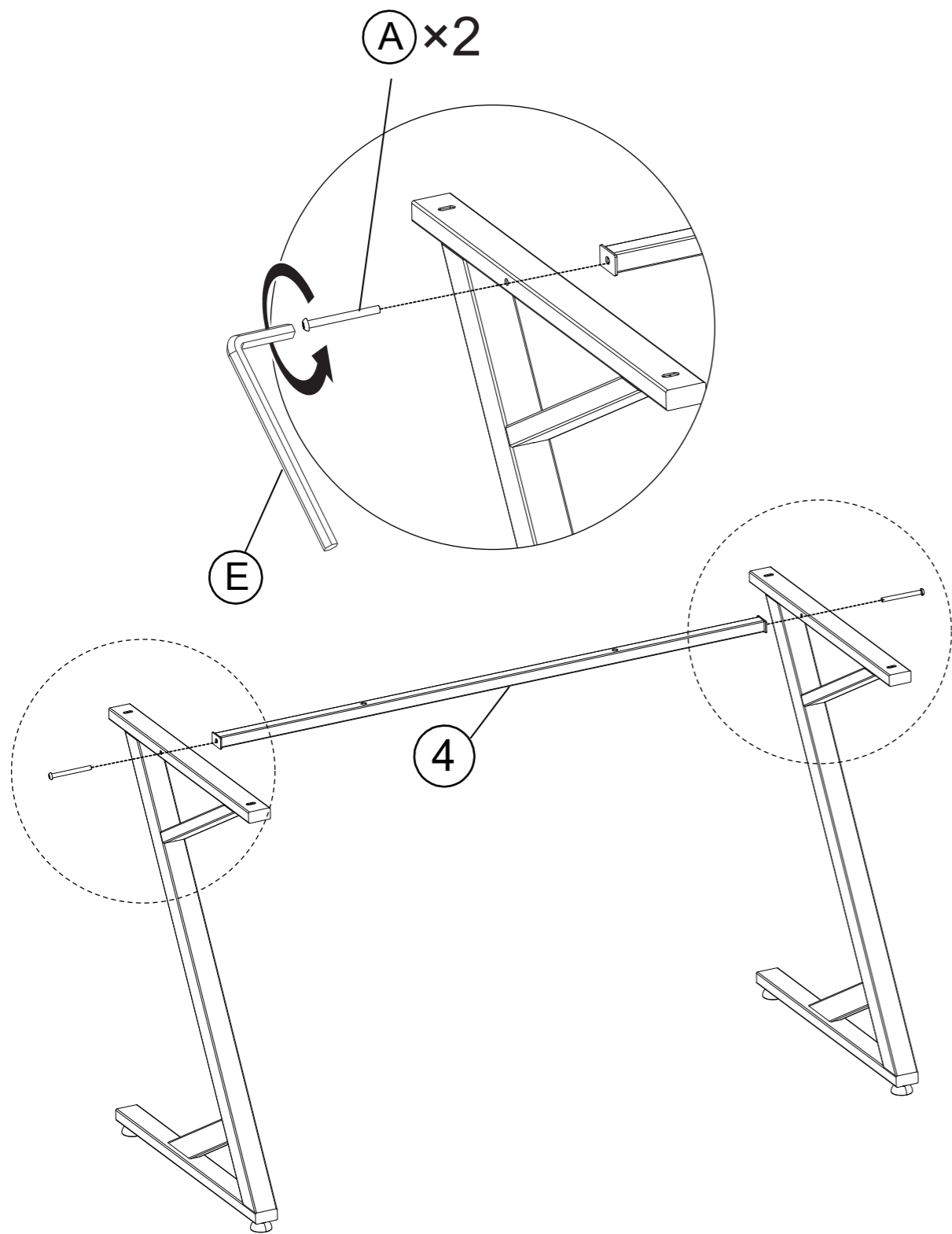
1

Assemble the feet.

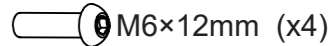



2

A	 M6x50mm (x2)
E	 S=4mm



3

B	 M6x12mm (x4)
E	 S=4mm

